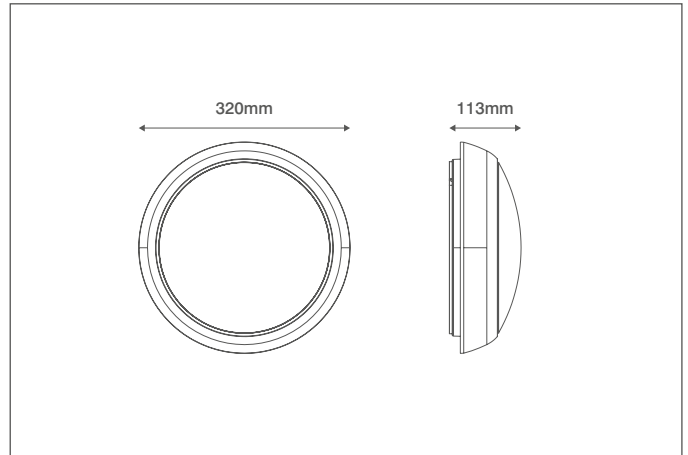


Description: 16W LED Bulkhead Emergency IP65 CCT White



### General Information

Dimensions (mm)	320 (Dia.) x 113 (D)
Materials	Base & Diffuser: Polycarbonate (UV Stabilised); Gear Tray: Powder Coated Steel; LED Array: Aluminium Substrate
Colour	White (RAL9010)
Product Weight (Kg)	1
Ingress Protection	IP65
Impact Rating (IK)	08
Flammability Rating	UL94-V2
Mounting	Ceiling or Wall
Warranty (Years)	5
Battery Warranty (Years)	4

### Luminaire Output

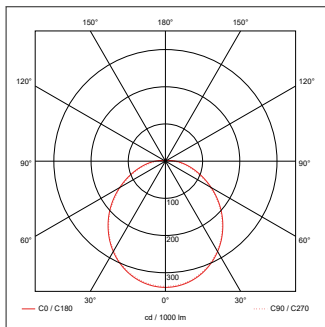
Colour Temperature (K)	3000	4000	6000
Typical Luminous Flux (lm)	1250	1500	1400
Efficacy (lm/W)	69	83	87
Beam Angle (°)	107		
Colour Rendering Index (CRI)	>80		
LED Lifetime (L70) (Hours)	30000		

### Emergency Backup Information

Emergency Luminous Flux (lm)	98
Installation	Can be wired as maintained or non-maintained
Battery Specification	Li-Ion 2000mAh 3.7V
Minimum Duration (Hours)	3
Battery Warranty (Years)	4

### Supply & Power Information

Continuous Operating Voltage (AC) (Hz)	220-240 (50/60)
Safety Class	II
Circuit Wattage (W)	18
LED Wattage (W)	16
Input Current (mA)	150
Power Factor	>0.95
Driver Information	Integrated
Operating Temperature (°C)	0 to +50
Maximum Critical Temperature (°C)	+80
Input Terminations	4 Pole Push-fit Terminals



OVIA Limited, Scolmore House, Mariner, Lichfield Road Industrial Estate,  
 Tamworth, Staffordshire, B79 7UL United Kingdom  
 T: +44 (0)1827 300640  
 E: sales@oviaUK.com | W: oviaUK.com



Catalogue



Section



DoC



Installation

