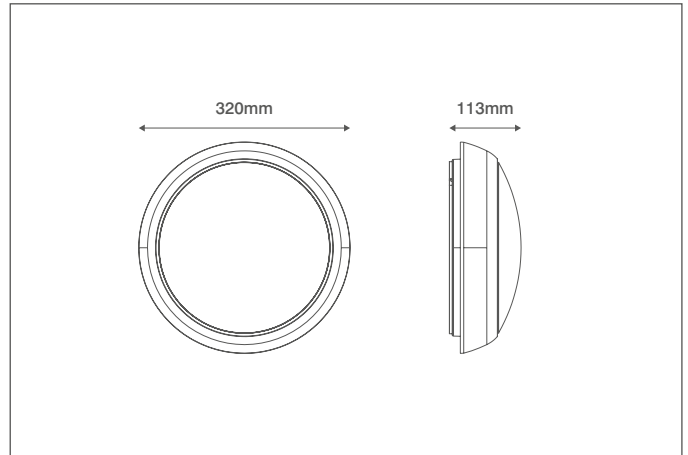




Product Code: **OV9700WH12EMMW**

Luckinslive **422357221**

Description: 12W LED Bulkhead Microwave Sensor & Emergency IP65 CCT White



General Information

Dimensions (mm)	320 (Dia.) x 113 (D)
Materials	Base & Diffuser: Polycarbonate (UV Stabilised); Gear Tray: Powder Coated Steel; LED Array: Aluminium Substrate
Colour	White (RAL9010)
Product Weight (Kg)	1.06
Ingress Protection	IP65
Impact Rating (IK)	08
Flammability Rating	UL94-V2
Mounting	Ceiling or Wall
Warranty (Years)	5
Battery Warranty (Years)	4

Luminaire Output

Colour Temperature (K)	3000	4000	6000
Typical Luminous Flux (lm)	950	1100	1050
Efficacy (lm/W)	67	78	75
Beam Angle (°)	107		
Corridor Luminous Flux (15%)	95	110	105
Corridor Luminous Flux (25%)	237	275	262
Colour Rendering Index (CRI)	>80		
LED Lifetime (L70) (Hours)	30000		

Dimming Information

Dimmable	Yes
Dimming Format	Corridor Function
Corridor Dimming Levels (%)	10 or 25

Sensor Information

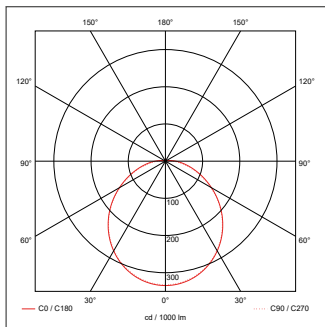
Detection Area Settings (%)	50 or 100
Dimming Levels - Corridor Function (%)	10 or 25
Detection Angle (°)	≤150
Light Level Settings (Lux)	15 / Disable
HF System	5.8GHz ±75MHz
Master/Slave Facility	Not Available

Emergency Backup Information

Emergency Luminous Flux (lm)	98
Minimum Duration (Hours)	3
Battery Warranty (Years)	4

Supply & Power Information

Continuous Operating Voltage (AC) (Hz)	220-240 (50/60)
Safety Class	II
Circuit Wattage (W)	14
LED Wattage (W)	12
Input Current (mA)	120
Power Factor	>0.95
Driver Information	Integrated
Operating Temperature (°C)	-15 to +50
Maximum Critical Temperature (°C)	+80
Input Terminations	4 Pole Push-fit Terminals



OVIA Limited, Scolmore House, Mariner, Lichfield Road Industrial Estate,
 Tamworth, Staffordshire, B79 7UL United Kingdom
 T: +44 (0)1827 300640
 E: sales@oviaUK.com | W: oviaUK.com



Catalogue



Section



DoC



Installation

