



30/60/90 Minute Fire Rated iCage Mini IP20 Downlights



Approved to BS476 Part 21

Part "B, C & E" Compliant

GU10 Mains i-Cage IP20 Downlight – AMICD/W, AMICD/BR, AMICD/CH, AMICD/SC
AMICD/AB, AMICD/BLC, AMICD/MW

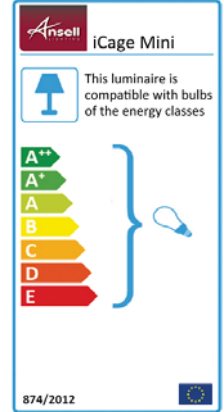
INSTALLATION INSTRUCTIONS – *Please retain these instructions for future reference and maintenance*

Important Safety Information

- Before installation, maintenance or lamp replacement, ensure that the mains supply to the luminaire is switched off and the circuit supply fuses are removed or circuit breaker turned off.
- **It is recommended that a qualified electrician is consulted or used for the installation of this luminaire and installed to the current edition of the IEE wiring regulations and to all relevant standards**
- Check that the total load on the circuit including this luminaire does not exceed the rating of the circuit cable, fuse or circuit breaker.
- Ansell Lighting recommends the use of recognised branded lamps. The performance of this fitting and/or your guarantee may be invalidated if incorrect or poor quality lamps are installed in this luminaire.
- Please note that lamp choice may effect Part C compliance due to their construction.

Ratings

- This luminaire is supplied for the use with GU10 Mains Voltage lamps. When used with GU10 Mains lamps, the luminaire is of Class I construction and **MUST** be earthed.
- **MAXIMUM LAMP RATING 50W**
- 230V 50Hz GU10 Mains Voltage.
- **FOR INTERNAL USE ONLY**
- CE Approved.



Installation

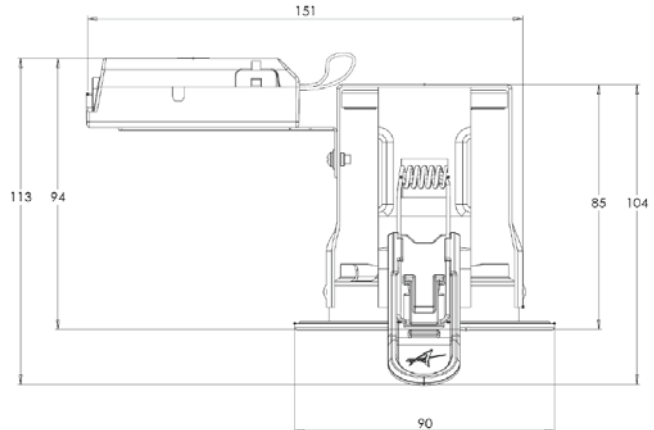
- Select a suitable mounting location to install luminaire. Care should be given to ensure adequate ventilation for luminaire, as this luminaire operates at high temperatures. Check that sufficient depth is available in the ceiling void and there is adequate free air ventilation around the luminaire.
- Ensure luminaire is not located in close proximity to ceiling joists, electrical cables, pipe work or insulation materials. Luminaires should not be installed where the illuminated surface is within 0.5m from the front of the fitting.
- Cut a 76mm diameter round hole in the ceiling material. This luminaire is suitable for installation in ceiling material thickness from 10mm to 30mm.
- Fix the stirrup bracket and terminal to the luminaire body, loosen the screws on the luminaire, slide the bracket into position and tighten the fixing screws to 0.40NM.
- **GU10 Mains (230V)**
- Terminate the 230V supply cable max 2 x 1.5mm loop in – loop out, ensuring the correct polarity is observed (please see below for connections). **THIS LUMINAIRE IS CLASS I CONSTRUCTION WHEN USED WITH GU10 MAINS LAMPS, AND MUST BE EARTHED.**

Electrical Connections

Connect as follows:-

LIVE	(L)	BROWN / RED
NEUTRAL	(N)	BLUE / BLACK
EARTH		GREEN / YELLOW

- Offer the luminaire through the aperture, bend back the springs and push gently into the ceiling. Do not install the luminaire onto new plaster or wet paint.
- **Ansell iBox (Ansell part code AIBOX) improves lamp performance under insulation and provides some protection when used above downlights.**
- **Important Installation Advice:** - Whilst installation materials can be loosely placed on / adjacent to i-Cage downlight. It is recommended to allow a void of space around the downlight. The following illustrations, detail recommended best practice for installation.
- Remove the Twistlock lamp retaining ring in an anti-clockwise direction. Insert the appropriate lamp type, positioning the lamp into the retaining clip. Fit the lamp ring into the luminaire housing and twist firmly in a clockwise direction to lock the ring into position.
- Ansell recommend the use of recognised branded lamps.
- Restore the power supply and test for correct operation



Important – Lamp Replacement

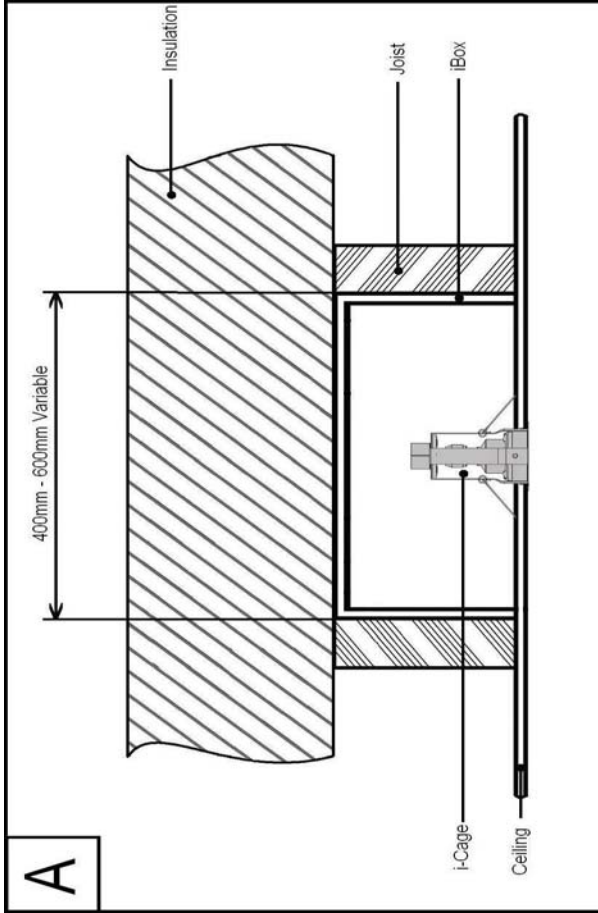
Lamp cap GU10
Maximum Wattage 50W Max.

Note: Suitable for Dichroic or Aluminium Reflector lamps. Ansell Lighting recommends the use of recognised branded lamps.

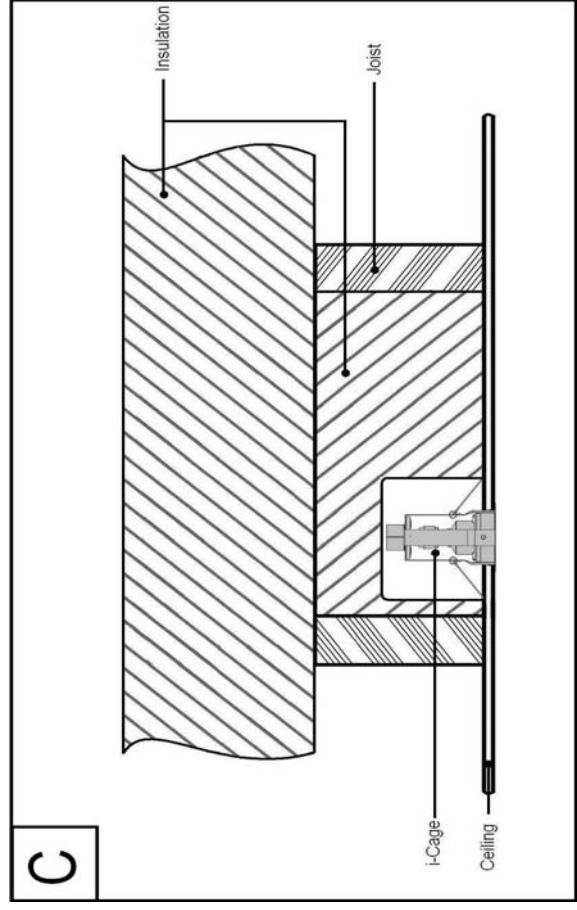
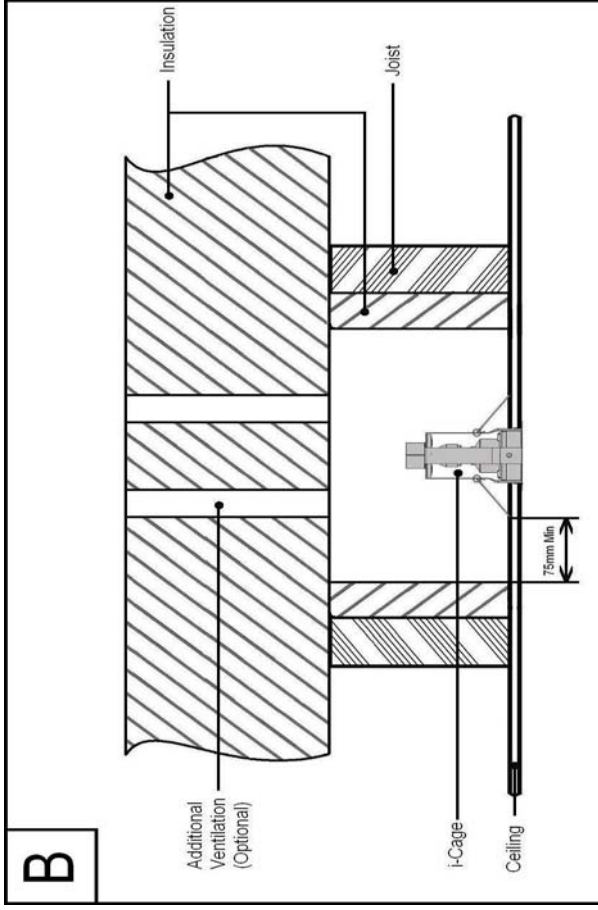


IP20





A - RECOMMENDED BEST PRACTICE
Using iBox (AIBOX) to allow insulation materials to be placed over the i-Cage downlight



B - PERMISSABLE INSTALLATION
Insulation materials loosely placed on / near i-Cage downlight

C - NOT RECOMMENDED
Poor installation practice