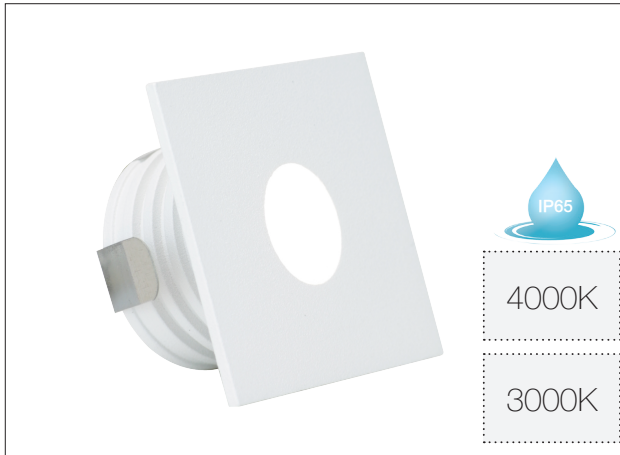


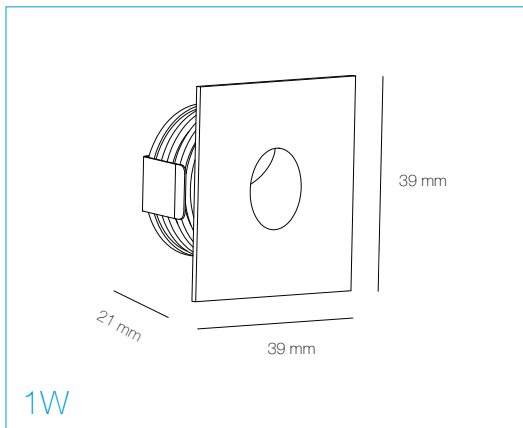
TECHNICAL DATASHEET

ALSQ032WH
1W LED Marker Light



PRODUCT FEATURES

- Anti-Glare Low Level Lighting
- Frosted Glass for Optimum Light Distribution
- Ideal for Stair Lighting and Commercial Lighting
- Ultra Slim Profile



SERIES WIRING 350mA	32mm CUTOUT
CE	III
ROHS	ErP Compliant
IP65	3 Year Guarantee

ALL LED ALSQ032WH

This luminaire contains built-in LED lamps.

A++
A+
A
B
C
D
E } LED

The lamps cannot be changed in the luminaire.

874/2012

PRODUCT CODE	ALSQ032WH/30	ALSQ032WH/40
Consumption	1W	1W
Lumens	≤80 lm	≤90 lm
Colour Temperature	3000K	4000K
Beam Angle	50°	50°
CRI	>80	>80
IP	IP65	IP65
Lifetime (Hours to Im70)	50,000 h	50,000 h
Temperature	-20~+50°C	-20~+50°C
Operating Current	350mA	350mA