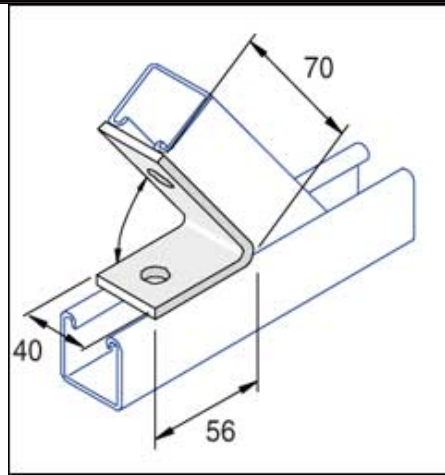


Standard Dimensions:

The following are standard dimensions unless otherwise stated.

All dimensions subject to commercial tolerance.

- Hole Size: 14mm diameter
- Hole Spacing (From End): 20mm from end of fitting
- Hole spacing (On Center): 48mm center to center
- Fitting Width: 40mm



Part No.	Finish	Size	Weight	Box Qty
P1186	HG	45 deg.	0.19	25
P2108	HG	60 deg.	0.23	25
P2106	HG	75 deg.	0.23	25
P1186	SS	45 deg.	0.19	25
P2108	SS	60 deg.	0.19	25
P2106	SS	75 deg.	0.19	25

Project: _____

Approval Stamp:

Architect / Engineer: _____

Date: _____ **Phone:** _____

Contractor: _____

Address: _____

Notes 1: _____
