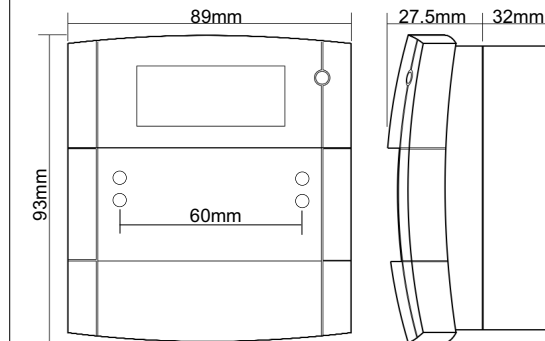


**X** in the MCP code (left) represents the final digits of the part number, which indicate MCP colour, component values, mounting options and element type.

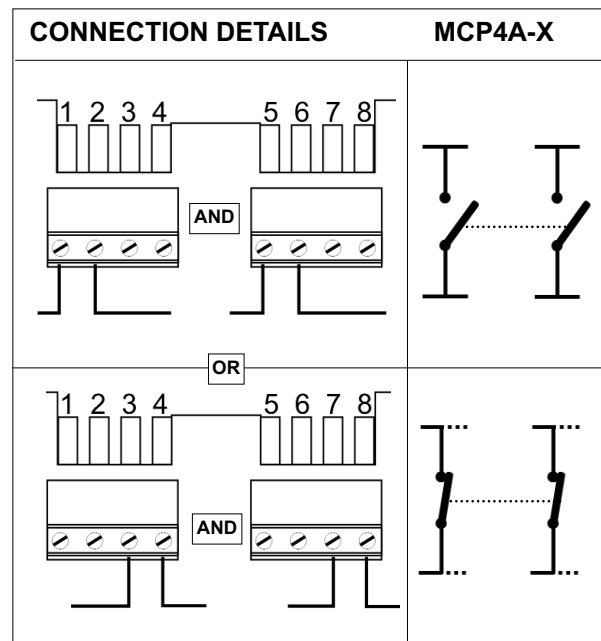
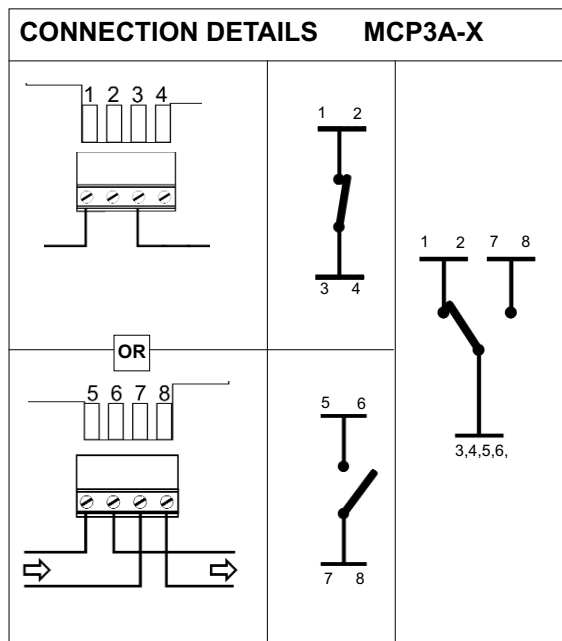
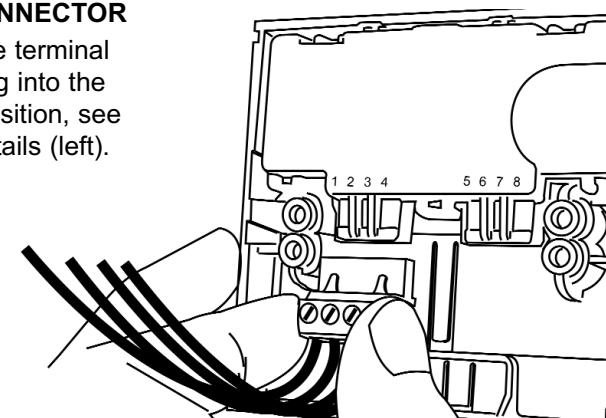
eg MCP1A -R470SF = (MCP1A, Red, 470R, Surface, Flexible Element).

### DIMENSIONS



### PUSH FIT CONNECTOR

After wiring the terminal connector, plug into the appropriate position, see connection details (left).



### TECHNICAL DATA

30VDC Max

2A Max

IP24D

1kg

-10°C to 55°C



Red, Ral 3001  
Yellow, Ral 1006  
Green, Ral 6016  
White, Ral 9010  
Blue, Ral 5002



**Important Notes; -**  
**Please do not over tighten fixing screws.**  
**The use of lubricants, cleaning solvents or petroleum based products should be avoided.**