

# GU10 Tiltable Surface Downlight

Installation instructions for JC84318 & JC84319

**JCC** | a **LEVITON** company

## Warnings & Cautions

- To avoid electric shock, serious injury or property damage, isolate power before installing, removing or installing the product
- It is recommended that luminaires are installed by a qualified electrician and the installation complies with the local current wiring regulations
- It may be necessary to upgrade your MCBs to allow for increased inrush current
- These products are designed for connection to a 220-240V~ 50/60Hz
- This product is for indoor use only.
- The light source in this luminaire is replaceable: when the light source reaches its end of life the light source can be replaced by the end user
- Any broken or damaged parts should be replaced as soon as possible. JCC will not accept responsibility for claims arising from sub-standard installations; which will void the warranty
- For ceiling mounting only, not suitable for wall mounting
- Do not use halogen lamps in these products

## INSTALLATION

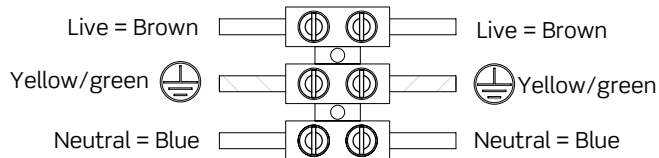
ENGLISH

### Specification: GU10 cap 7W LED max (lamp not included)

Available finishes: Black(BLK) or White(WH)

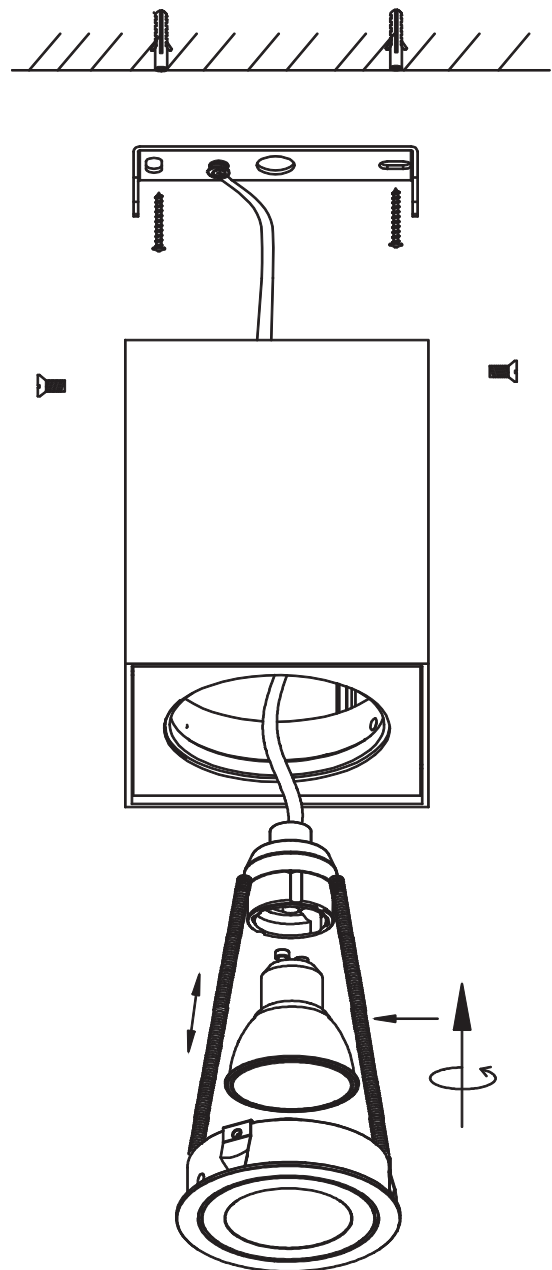
#### 220-240V~ 50/60Hz Class I

Figure 1. Mains Input



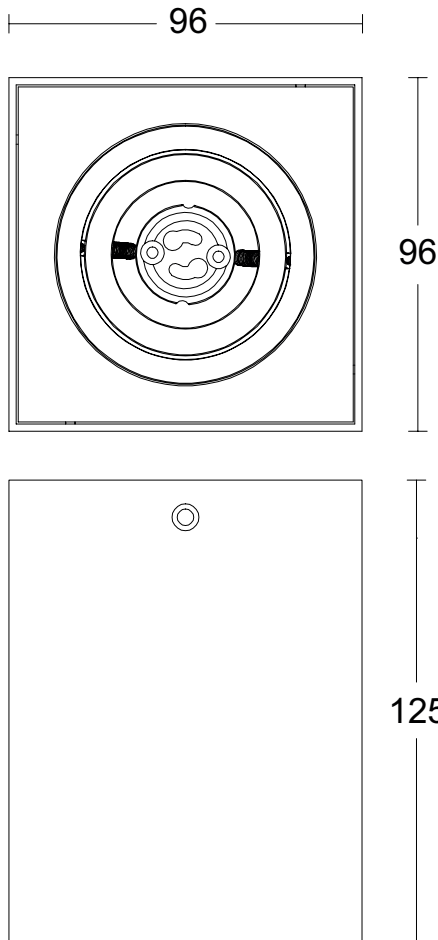
### Installation procedure

1. Loosen small screws to remove main body from mounting plate.
2. Use the mounting plate as a template for fixings. Secure mounting plate to ceiling.
3. Connect the mains input as shown in Fig 1.
4. Refit main body to the mounting plate and tighten screws to secure.
5. Fit lamp into lampholder.
6. Gently pull lamp cover over onto the front of the lamp, carefully release the springs so the lamp sits in the cover. Push cover back up into the fitting.
7. Turn on supply and test for operation.

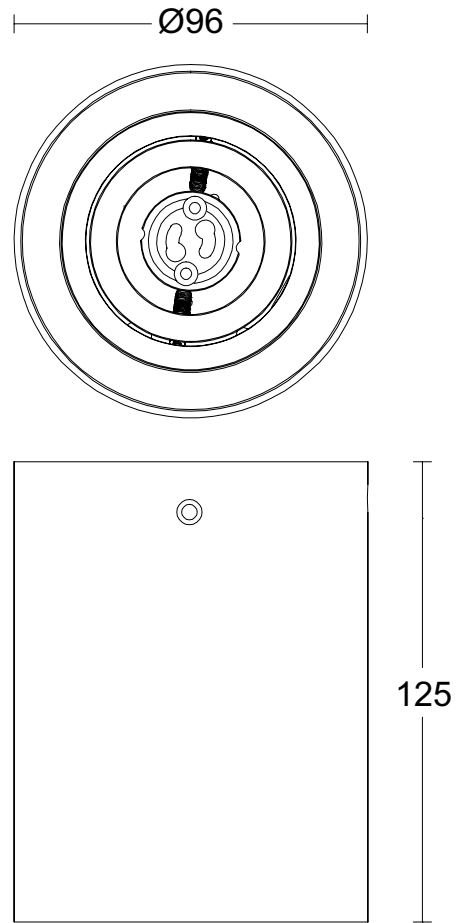


## Profile & Dimensions

JC84318



JC84319



All dimensions in millimetres

You can help protect the environment. Please remember to respect the local regulations: hand in the non-working electrical equipment to an appropriate waste disposal centre. The packaging material is recyclable. Dispose of the packaging in an environmentally friendly manner and make it available for the recyclable material collection service.

### Important warranty information

This product is supported by a 2-year standard warranty which will extend to 3 years if registered within the first year of purchase. Please register at [jcc.co.uk/warranty](http://jcc.co.uk/warranty) - Terms and conditions apply.

The installer will be asked to provide the following information, which is detailed on a label attached to the luminaire's chassis:  
Product Code/Date Code.

BS EN ISO9001 - 2015 - Registered Firm Certificate No. GB 1552

JCC Lighting Products Ltd. Innovation Centre, Beeding Close, Southern Cross Trading Estate, Bognor Regis, West Sussex, PO22 9TS, United Kingdom

**Technical Support: +44(0)1243 838986 Customer Services: +44(0)1243 838999**