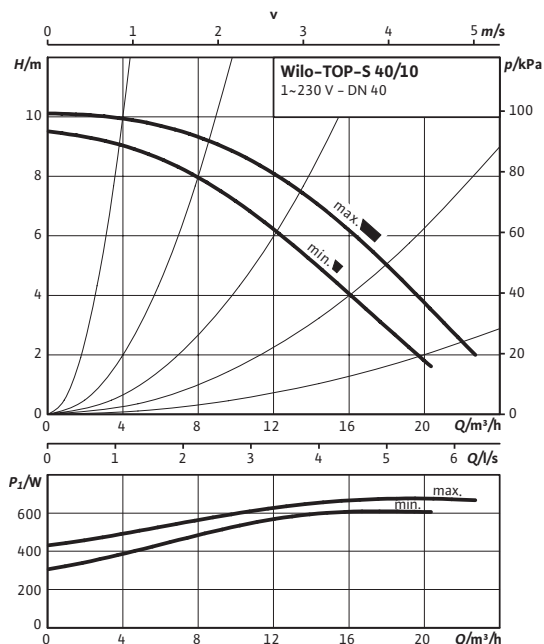
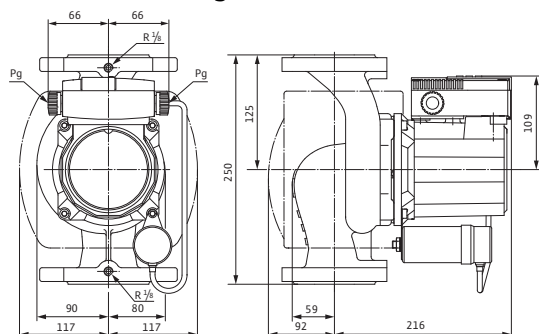


Data sheet: Wilo-TOP-S 40/10 (1~230 V, PN 6/10)

Pump curves Single-phase current



Dimension drawing



Approved fluids (other fluids on request)

Heating water (in accordance with VDI 2035)

Water-glycol mixtures (max. 1:1; above 20% admixture, the pumping data must be checked)

Permitted field of application

Temperature range at max. ambient temperature +40 °C

-20 up to +130 (in short-term operation 2 h: +140) (for applications with Wilo-Protect-Module C: -20 to +110) °C

Maximum permissible operating pressure

P_{max} 6/10 bar

Pipe connections

Flange

Combination flange PN6/10 (PN 16 flange according to EN 1092-2)

Nominal flange diameter

DN 40

Overall length

l_o 250 mm

Motor/electronics

Emitted interference

EN 61000-6-3

Interference resistance

EN 61000-6-2

Protection class

IP X4D

Insulation class

H

Mains connection

1~230 V, 50 Hz

Nominal motor power

P_2 350 W

Speed

n 2600 / 2800 rpm

Power consumption 1~230 V

P_1 610 / 680 W

Current at 1~230V

I 3.18 / 3.47 A

Capacitor

16.0 μ F / 400 VDB

Threaded cable connection

PG 2x13.5

Motor protection

integrated

Materials

Pump housing

Grey cast iron (EN-GJL-250)

Impeller

Plastic (PP - 50% GF)

Pump shaft

Stainless steel (X46Cr13)

Bearing

Carbon, metal impregnated

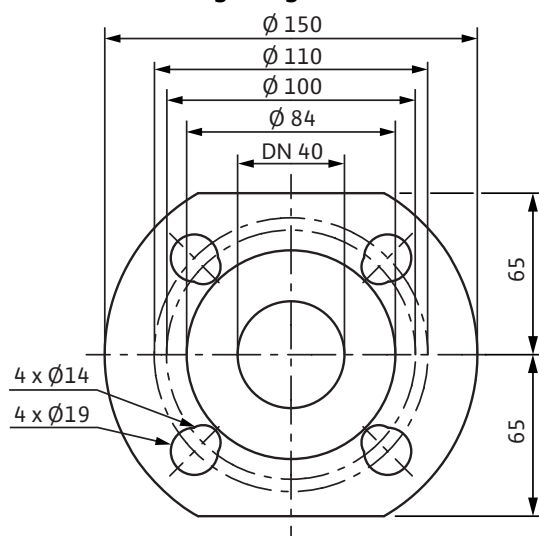
Minimum suction head at suction port for avoiding cavitation at water pumping temperature

Minimum suction head at 50 / 95 / 110 / 130 °C

0.5 / 5 / 11 / 24 m

Data sheet: Wilo-TOP-S 40/10 (1~230 V, PN 6/10)

Dimension drawing, flange

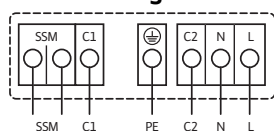


Information for order placements

Make	Wilo	
Type	TOP-S 40/10	
Art no.	2080044	
Weight approx.	<i>m</i>	15 kg

• = available, - = not available

Terminal diagram



Mains connection 1~230 V, 50 Hz

Full motor protection with integrated trip electronics in terminal box for all speed stages

Triggering: All-pole shutdown of motor by integrated trip electronics

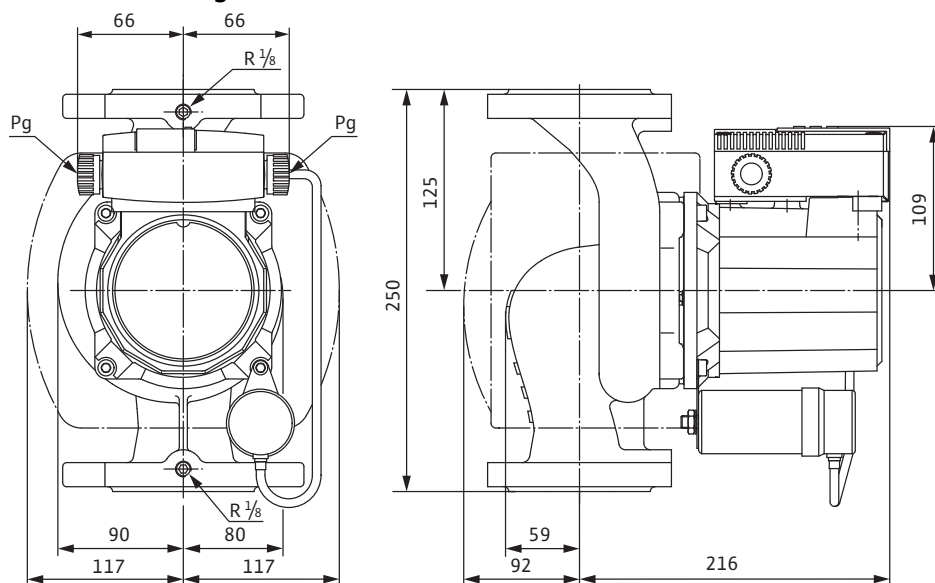
Reset: Manual reset at terminal box necessary

Load capacity of the potential-free NC contact according to VDI 3814 for the collective fault signal (SSM) 1 A, 250 V ~

For function, see Wilo catalogue, chapter "Pump management Wilo-Control, consulting guide"

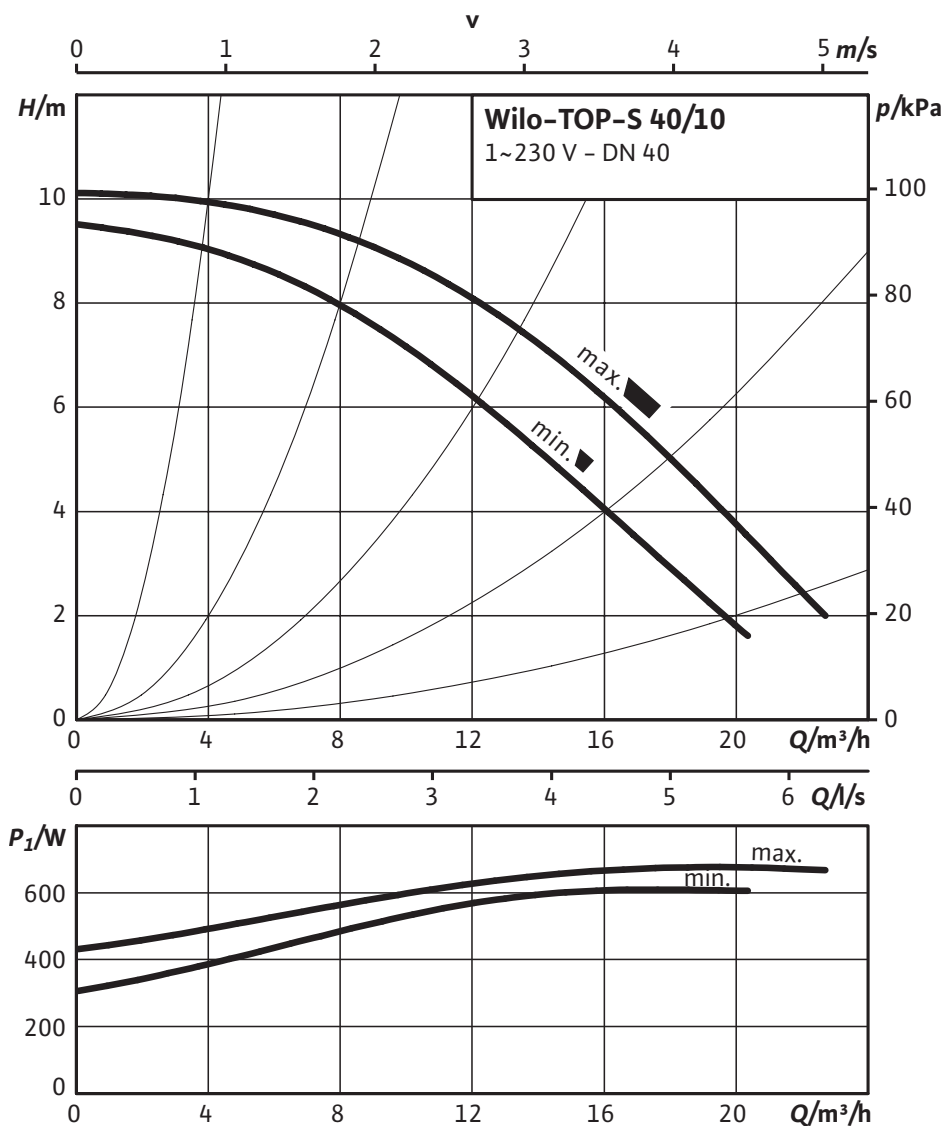
Dimensions and dimension drawings: Wilo-TOP-S 40/10 (1~230 V, PN 6/10)

Dimension drawing



Pump curves: Wilo-TOP-S 40/10 (1~230 V, PN 6/10)

Pump curves Single-phase current



Ordering information: Wilo-TOP-S 40/10 (1~230 V, PN 6/10)

Information for order placements		
Make	Wilo	
Type	TOP-S 40/10	
Art no.	2080044	
EAN number	4016322936992	
Colour	green/black	
Minimum order quantity	1	
Minimum order quantity unit	PCE	
Weight (net)	<i>kg</i>	14.7
Length (net)	<i>mm</i>	250
Width (net)	<i>mm</i>	234
Height (net)	<i>mm</i>	308
Weight (gross)	<i>kg</i>	15.5
Length (gross)	<i>mm</i>	430
Width (gross)	<i>mm</i>	230
Height (gross)	<i>mm</i>	290
Packaging type	Cardboard box	
Packaging property	Transport packaging	
Pieces per pallet	28	
Number per layer	7	

Specification texts: Wilo-TOP-S 40/10 (1~230 V, PN 6/10)

Can be used for hot-water heating systems of all kinds, industrial circulation systems, air-conditioning systems and closed cooling circuits. Maintenance-free glandless circulation pump with threaded or flange connection, preselectable speed stages for power adjustment.

Equipment and function

- Manual power adjustment with 3 speed stages
- Pumps with 1~ motor:
- Pumps with 3~ motor:
- Cathaphoretic-coated pump housing for optimal corrosion protection
- Combination flange PN 6/PN 10 (with DN 40 to DN 65)
- Thermal insulation shells for heating applications
- Additional functions with retrofittable Protect Module C:

Materials

Pump housing: Grey cast iron (EN-GJL-250)

Impeller: Plastic (PP - 50% GF)

Pump shaft: Stainless steel (X46Cr13)

Bearing: Carbon, metal impregnated

Approved fluids (other fluids on request)

Max. volume flow: 21 m³/h

Max. delivery head: 10 m

Permitted field of application

Temperature range at max. ambient temperature +40 °C: -20 up to +130 (in short-term operation 2 h: +140) (for applications with Wilo-Protect-Module C: -20 to +110) °C

Pipe connections

Nominal flange diameter: DN 40

Flange: Combination flange PN6/10 (PN 16 flange according to EN 1092-2)

Overall length: 250 mm

Motor/electronics

Emitted interference: EN 61000-6-3

Interference resistance: EN 61000-6-2

Protection class: IP X4D

Insulation class: H

Mains connection: 1~230 V, 50 Hz

Mains frequency: 50 Hz

Nominal motor power: 350 W

Speed: 2600 / 2800 rpm

Power consumption 1~230 V: 610 / 680 W

Current at 1~230V: 3.18 / 3.47 A

Motor protection: integrated

Threaded cable connection: 2x13.5

Specification texts: Wilo-TOP-S 40/10 (1~230 V, PN 6/10)

Information for order placements

Art no.: 2080044

EAN number: 4016322936992

Weight approx.: 15 kg

Make: Wilo

Type: TOP-S 40/10