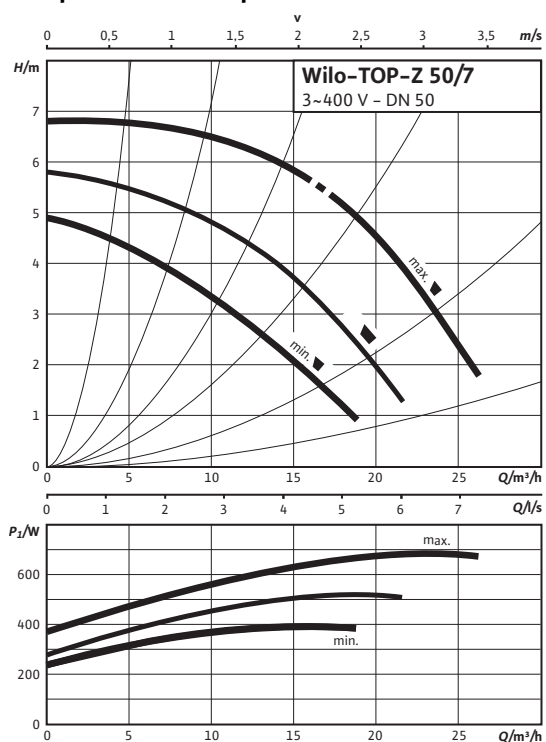
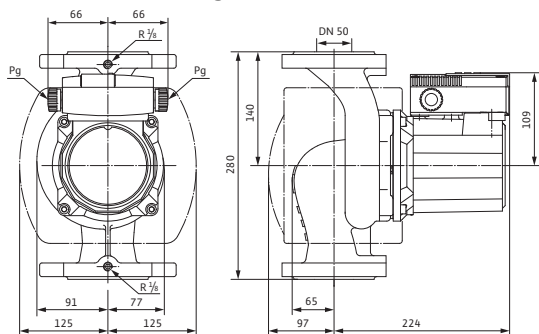


Data sheet: Wilo-TOP-Z 50/7 (3~400 V, PN 6/10, RG)

Pump curves Three-phase current



Dimension drawing



Approved fluids (other fluids on request)

Drinking water and water for food-processing companies in accordance with TrinkwV 2001 (drinking water ordinance)

Permitted field of application

Temperature range for applications in domestic hot water circulation systems at maximum ambient temperature of +40 °C: 0...+80, for short periods (2 h) to +80 °C

Temperature range for applications in domestic hot water circulation systems at ambient temperature of +40 °C in short-term operation 2 h: 110 °C

Max. permitted total hardness in domestic hot water circulation systems: 3.57 mmol/l (20 °dH)

Maximum permissible operating pressure: P_{max} 6/10 bar

Special version for operating pressure, P_{max} : 16 bar

Pipe connections

Flange: Combination flange PN6/10 (PN 16 flange according to EN 1092-2)

Nominal flange diameter: DN 50

Overall length: l_o 280 mm

Motor/electronics

Emitted interference: EN 61000-6-3

Interference resistance: EN 61000-6-2

Protection class: IP X4D

Insulation class: H

Mains connection: 3~400/230 V, 50 Hz

Nominal motor power: P_2 350 W

Speed: n 2000 / 2300 / 2700 rpm

Power consumption: P_1 390 / 520 / 680 W

Current at 1~230V: I - A

Current at 3~230V: I 1.19 / 1.60 / 2.38 A

Current at 3~400V: I 0.69 / 0.92 / 1.38 A

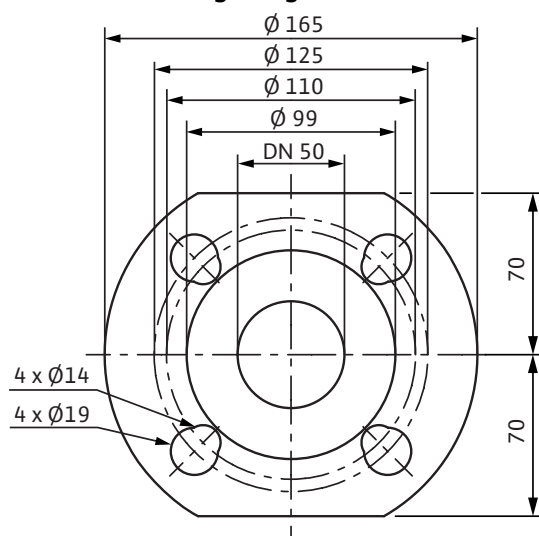
Motor protection: integrated

Threaded cable connection: PG 2x13.5

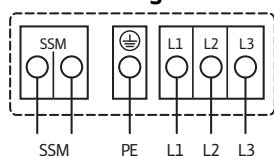
Materials

Data sheet: Wilo-TOP-Z 50/7 (3~400 V, PN 6/10, RG)

Dimension drawing, flange



Terminal diagram



Mains connection 3~400 V, 50 Hz

3~230 V, 50 Hz (with optional switching plug 3~230 V)

Full motor protection with integrated trip electronics in terminal box for all speed stages

Triggering: All-pole deactivation of motor by integrated trip electronics

Reset: Manual reset at terminal box necessary

Load capacity of the potential-free NC contact according to VDI 3814 for the collective fault signal (SSM) 1 A, 250 V ~

For function, see Wilo catalogue, chapter "Pump management Wilo-Control, consulting guide"

Pump housing	Red brass (CC 499K) according to DIN 50930-6 in accordance with Drinking Water Ordinance
Impeller	Plastic (PPE - 30% GF)
Pump shaft	Stainless steel (X39CrMo17-1)
Bearing	Carbon, synthetic resin impregnated

Minimum suction head at suction port for avoiding cavitation at water pumping temperature

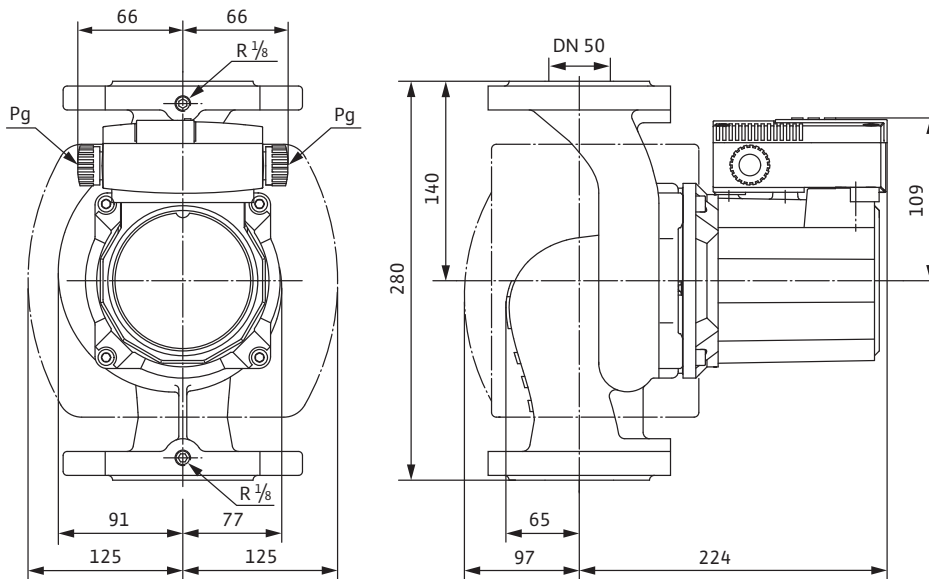
Minimum suction head at 40 / 80 / 110 °C	8 / 10 / 30 m
--	---------------

Information for order placements

Make	Wilo
Type	TOP-Z 50/7
Art no.	2046639
Weight approx.	<i>m</i> 19 kg

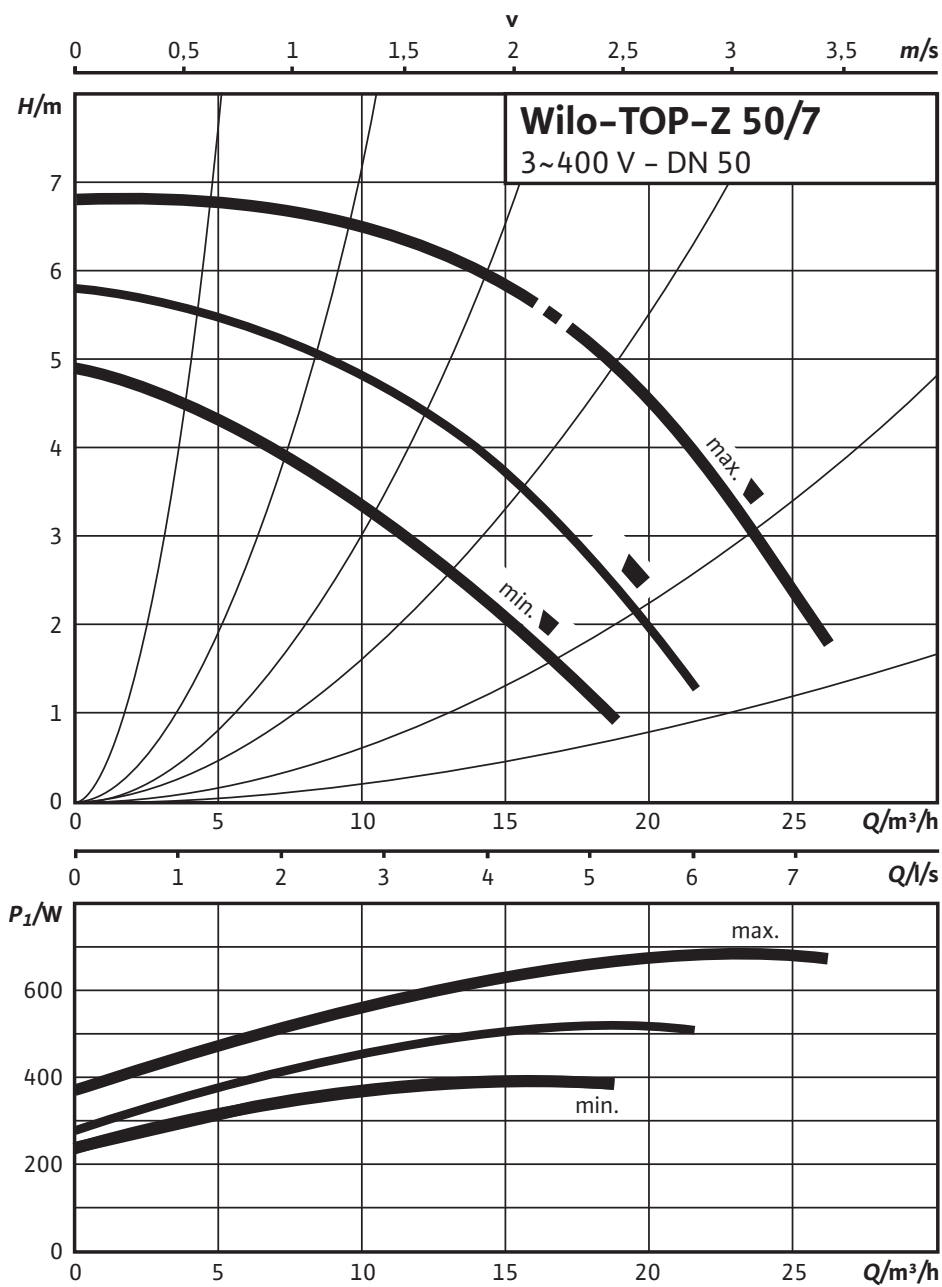
Dimensions and dimension drawings: Wilo-TOP-Z 50/7 (3~400 V, PN 6/10, RG)

Dimension drawing



Pump curves: Wilo-TOP-Z 50/7 (3~400 V, PN 6/10, RG)

Pump curves Three-phase current



Ordering information: Wilo-TOP-Z 50/7 (3~400 V, PN 6/10, RG)

Information for order placements		
Make	Wilo	
Type	TOP-Z 50/7	
Art no.	2046639	
EAN number	4016322685500	
Colour	green/bronze	
Minimum order quantity	1	
Minimum order quantity unit	PCE	
Weight (net)	<i>kg</i>	18.8
Length (net)	<i>mm</i>	280
Width (net)	<i>mm</i>	250
Height (net)	<i>mm</i>	321
Weight (gross)	<i>kg</i>	20.7
Length (gross)	<i>mm</i>	430
Width (gross)	<i>mm</i>	230
Height (gross)	<i>mm</i>	290
Packaging type	Cardboard box	
Packaging property	Transport packaging	
Pieces per pallet	28	
Number per layer	7	

Specification texts: Wilo-TOP-Z 50/7 (3~400 V, PN 6/10, RG)

This circulation pump is suitable only for drinking water.

Can be used for domestic hot water circulation systems in the industry and building services.

Maintenance-free glandless circulation pump with threaded or flange connection, pre-selectable speed stages for power adjustment.

Equipment and function

- Manual power adjustment with 3 speed stages
- Pumps with 1~ motor:
- Pumps with 3~ motor:
- Fault signal light
- Contact for collective fault signal
- Direction of rotation indicator light
- Mains connection 3~, 230 V with optional switching plug
- Pump housing in bronze or grey cast iron (stainless steel depending on type)
- PN 6/PN 10 combination flange (for DN 40 to DN 65)
- Thermal insulation shells
- Additional functions by retrofittable Protect Module C:
- Dual pump management (two single pumps installed in parallel) Main/standby operation (automatic fault-actuated switchover/time-sensitive pump alteration)

Materials

Pump housing: Red brass (CC 499K) according to DIN 50930-6 in accordance with Drinking Water Ordinance

Impeller: Plastic (PPE - 30% GF)

Pump shaft: Stainless steel (X39CrMo17-1)

Bearing: Carbon, synthetic resin impregnated

Approved fluids (other fluids on request)

Max. volume flow: 25.0 m³/h

Max. delivery head: 7.0 m

Pipe connections

Nominal flange diameter: DN 50

Flange: Combination flange PN6/10 (PN 16 flange according to EN 1092-2)

Overall length: 280 mm

Motor/electronics

Emitted interference: EN 61000-6-3

Interference resistance: EN 61000-6-2

Protection class: IP X4D

Insulation class: H

Mains connection: 3~400/230 V, 50 Hz

Max. speed: 2700 / rpm2300 / rpm2000 rpm

Speed: 2000 / 2300 / 2700 rpm

Nominal motor power: 350.0 W

Power consumption 3~400 V: 390 / 520 / 680 W

Current at 1~230V: – A

Current at 3~400V: 1.38 / A0.92 / A0.69 A

Specification texts: Wilo-TOP-Z 50/7 (3~400 V, PN 6/10, RG)

Motor protection: integrated

Threaded cable connection: 2x13.5

Information for order placements

Art no.: 2046639

EAN number: 4016322685500

Weight approx.: 20.7 kg

Make: Wilo

Designation: Wilo-TOP-Z 50/7 (3~400 V, PN 6/10, RG)