

EFDTM PRO

New Terminal Block for Faster, **TOOL-FREE** Installation

30
MIN

60
MIN

90
MIN



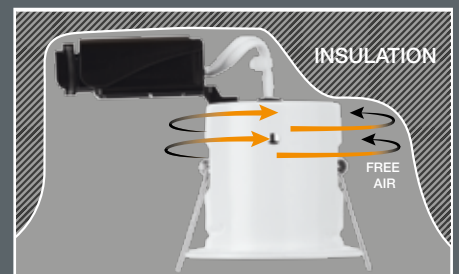
AIR LEAKAGE
(EXCLUDING
ADJUSTABLE)

DRIVER WITH PUSH FIT LOOP
IN/ LOOP OUT TERMINALS
SUITABLE FOR USE WITH
SOLID OR STRANDED CABLE



INSULATION COVERABLE
300mm FIBRE BASED

- No accessory required
- No fire cage or hood required
- No insulation cut-out required



Twist&LockTM

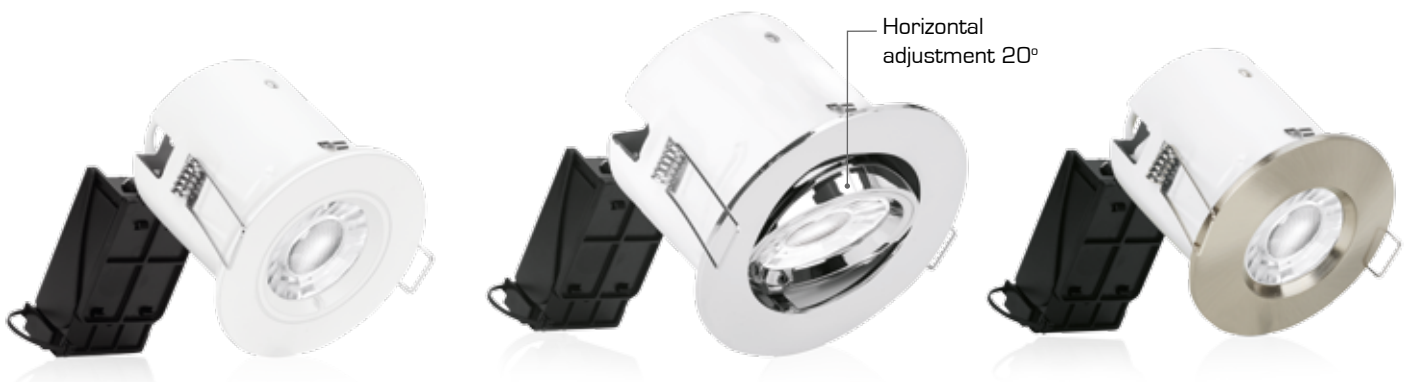
Fixed, Adjustable & IP Rated Bezels

Description

The EFDTM PRO is our new range of stylish and professional fire rated GU10 downlights. Perfect for use with Enlite's market leading range of ICETM lamps, the EFDTM PRO range is also fitted with our latest push-fit terminal block for even faster installation. The cast aluminium bezels for fixed, adjustable and IP65 rated options are available in four colour finishes to cover all applications.

Features & Benefits

- New and improved push-fit terminal block with loop in/loop out for quick and easy installation
- One piece slim interchangeable twist & lock bezels available in white, matt white, polished chrome and satin nickel (sold separately)
- Fibre based insulation coverable up to 300mm (LED lamps only)
- For a fixed version use **EN-DLM981X & EN-BZ91**
- For Adjustable use **EN-DLM982X & EN-BZ92**
- For IP65 rated use **EN-DLM981X & EN-BZ93**
- Tested in 30, 60 and 90-minute fire rated ceilings
- **5 year warranty**



NEW **EN-DLM981X + EN-BZ91**
EFDTM PRO **Fixed** Professional Fire Rated Downlight

NEW **EN-DLM982X + EN-BZ92**
EFDTM PRO **Adjustable** Professional Fire Rated Downlight

NEW **EN-DLM981X + EN-BZ93**
EFDTM PRO **IP65** Professional Fire Rated Downlight



Cat. No.	Max [W]	Input	Overall [Ø]	Cutout [Ø]	Recess	Horz. Adj.
FIXED/IP RATED						
EN-DLM981X	50W	240V	90mm	75mm	107mm	-
ADJUSTABLE						
EN-DLM982X	50W	240V	102mm	85mm	110mm	20°
BEZELS						
EN-BZ91 *	EFD TM PRO 90mm Fixed Aluminium Downlight Bezel					
EN-BZ92 *	EFD TM PRO 102mm Adjustable Aluminium Downlight Bezel					
EN-BZ93 *	EFD TM PRO 90mm IP65 Aluminium Downlight Bezel					

Lamp not included

*Add suffix **W**, **MW**, **PC** or **SN** for White, Matt White, Polished Chrome or Satin Nickel finishes.

Finish Options:



Technical Information

