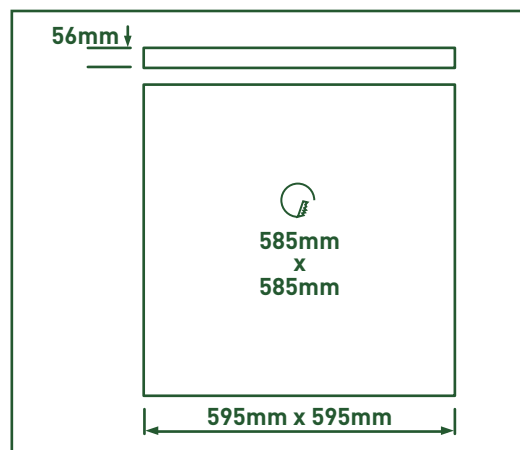


LUXPANEL BACKLIT FRAMELESS

600mm x 600mm

Premium frameless appearance, boasting even lower wattage and higher efficacy.

- Supplied with remote 'plug-and-play' driver, available in standard fixed output or dimmable. All compatible with emergency pack accessory.
- Quick and easy to install with no maintenance requirements.
- 4800K 'neutral white' colour temperature as standard; other colour temperatures available to order, subject to minimum requirement - 3000K / 4000K / 6000K.



5 year
limited
WARRANTY

1 year
on site
WARRANTY

5 years extended (3 years standard) and 1 year onsite warranty available in the UK. Rest of the world may vary, please ask your local distributor for more information.

4800K
NEUTRAL
WHITE

50,000
HOURS

230v
/50hz

CRI
>80

CAT NO.	DRIVER	LUMINAIRE LUMENS	WATTAGE	EFFICACY LLM/W	AMP
LPB6625S48	Standard	2500	17W	147	350mA
LPB6625D48	Dimmable	2500	17W	147	350mA
LPB6635S48	Standard	3500	24W	146	500mA
LPB6635D48	Dimmable	3500	24W	146	500mA

- LED3EP80-OJ - Emergency pack available

▼ CONTINUED

STANDARDS

EN 60598-1	Luminaires - General requirements
EN 60598-2-2	Luminaires - Recessed
EN 60598-2-22	Luminaires - Emergency
EN 61347-1	Lamp controlgear - Part 1: General and safety requirements
EN 61347-2-13	Lamp controlgear - Part 2-13 : Particular requirements for d.c. or a.c. supplied electronic controlgear for LED modules
EN 55015	Limits and methods of measurement of radio disturbance characteristics of electrical lighting and similar equipment
EN 61547	Equipment for general lighting purposes - EMC immunity requirements
EN 61000-3-2	Electromagnetic compatibility (EMC) - Part 3-2: Limits - for harmonic current emissions
EN 62471	Photobiological safety of lamps and lamp systems
2002/96/EC	Waste Electrical & Electronic Equipment (WEEE)
2011/65/EU	Restriction of the use of certain Hazardous Substances in EEE (RoHS)
(EC) No 1907/2006	The Registration, Evaluation, Authorisation and Restriction of Chemicals (REACH)

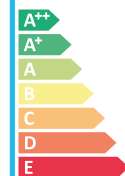


RoHS



LUCECO

The luminaire contains built-in LED lamps.



A+

The lamps cannot be changed in the luminaire.

874/2012



Tech Help Line

UK - **03300 249 279**

Non UK - **+44 (0)1952 238 100**

Supplied by Nexus Industries Ltd

Nexus Distribution Centre, Stafford Park 1

Telford, Shropshire, TF3 3BD

Visit our website at

www.luceco.uk

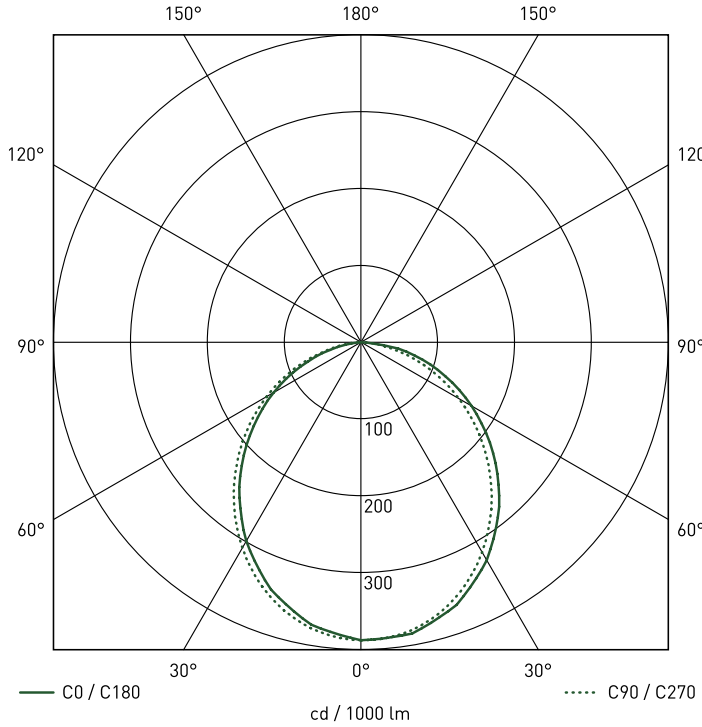
LUCECO PHOTOMETRIC DATA

LPB6625

LUMINAIRE PERFORMANCE

Light Output Ratio:	99.97%	Quantity:	1
Luminaire Efficacy:	142.78 lm/W	Designation:	LED
Light Distribution:	A40 ↓100.0% ↑0.0%	Colour Temperature:	4800K
CIE Flux Codes:	50 81 97 100 100	Luminous flux:	2399.4 lm
UGR 4H 8H (20%, 50%, 70%) C0 / C90:	18.9 / 17.3	CRI:	80

LUMINOUS INTENSITY



	C0	C90	C180
0°	388	388	388
5°	386	386	381
10°	385	380	373
15°	374	370	358
20°	364	355	343
25°	346	337	321
30°	327	315	299
35°	304	291	273
40°	280	265	246
45°	252	237	218
50°	225	207	189
55°	195	178	160
60°	166	148	131
65°	136	117	102
70°	107	87	73
75°	78	58	47
80°	49	31	21
85°	0	10	0
90°	0	0	0
	cd / 1000 lm		

UNIFIED GLARE RATING (UGR) TABLE

REFLECTANCE OF

CEILING	0.7	0.7	0.5	0.5	0.3	0.7	0.7	0.5	0.5	0.3
WALLS	0.5	0.3	0.5	0.3	0.3	0.5	0.3	0.5	0.3	0.3
FLOOR CAVITY	0.2	0.2	0.2	0.2	0.2	0.2	0.2	0.2	0.2	0.2

ROOM DIMENSION

		VIEWED CROSSWISE					VIEWED ENDWISE				
x	y										
2H	2H	15.1	16.7	15.4	17.0	17.3	14.2	15.8	14.6	16.2	16.5
	3H	16.6	18.1	17.0	18.4	18.8	15.5	17.0	15.9	17.3	17.7
	4H	17.3	18.6	17.7	19.0	19.3	16.0	17.4	16.4	17.7	18.1
	6H	17.8	19.0	18.2	19.4	19.8	16.3	17.5	16.7	17.9	18.3
	8H	17.8	19.0	18.2	19.4	19.8	16.3	17.5	16.7	17.9	18.3
	12H	17.8	19.0	18.2	19.3	19.7	16.3	17.4	16.7	17.8	18.2
4H	2H	15.7	17.1	16.1	17.4	17.8	14.9	16.2	15.3	16.6	17.0
	3H	17.4	18.6	17.8	19.0	19.4	16.3	17.5	16.7	17.9	18.3
	4H	18.2	19.2	18.6	19.6	20.1	16.9	18.0	17.4	18.4	18.8
	6H	18.8	19.7	19.2	20.1	20.6	17.2	18.2	17.7	18.6	19.0
	8H	18.9	19.7	19.4	20.2	20.6	17.3	18.2	17.8	18.6	19.1
	12H	18.9	19.7	19.4	20.1	20.6	17.3	18.1	17.8	18.6	19.1
8H	4H	18.4	19.3	18.9	19.7	20.2	17.1	18.0	17.6	18.4	18.9
	6H	19.1	19.8	19.6	20.3	20.7	17.5	18.2	18.0	18.7	19.2
	8H	19.3	19.9	19.8	20.4	20.9	17.7	18.3	18.2	18.8	19.3
	12H	19.3	19.8	19.8	20.3	20.8	17.7	18.3	18.3	18.8	19.3
12H	4H	18.4	19.2	18.9	19.7	20.2	17.2	18.0	17.7	18.4	18.9
	6H	19.2	19.8	19.7	20.3	20.8	17.6	18.2	18.1	18.7	19.2
	8H	19.3	19.9	19.9	20.4	20.9	17.8	18.3	18.3	18.8	19.3

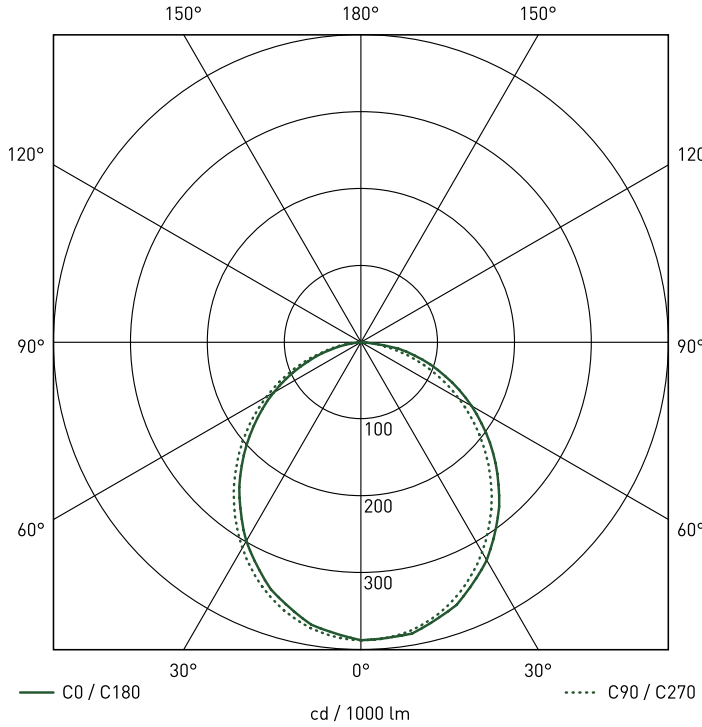
LUCECO PHOTOMETRIC DATA

LPB6635

LUMINAIRE PERFORMANCE

Light Output Ratio:	99.97%	Quantity:	1
Luminaire Efficacy:	147.52 lm/W	Designation:	LED
Light Distribution:	A40 ↓100.0% ↑0.0%	Colour Temperature:	4800K
CIE Flux Codes:	50 81 97 100 100	Luminous flux:	3541.6 lm
UGR 4H 8H (20%, 50%, 70%) C0 / C90:	20.2 / 18.7	CRI:	80

LUMINOUS INTENSITY



	C0	C90	C180
0°	388	388	388
5°	386	386	381
10°	385	380	373
15°	374	370	358
20°	364	355	343
25°	345	337	321
30°	327	315	299
35°	303	291	273
40°	279	265	247
45°	252	237	218
50°	224	207	190
55°	195	178	161
60°	166	148	131
65°	136	117	103
70°	106	87	74
75°	77	58	47
80°	48	31	21
85°	0	10	0
90°	0	0	0
	cd / 1000 lm		

UNIFIED GLARE RATING (UGR) TABLE

REFLECTANCE OF

CEILING	0.7	0.7	0.5	0.5	0.3	0.7	0.7	0.5	0.5	0.3
WALLS	0.5	0.3	0.5	0.3	0.3	0.5	0.3	0.5	0.3	0.3
FLOOR CAVITY	0.2	0.2	0.2	0.2	0.2	0.2	0.2	0.2	0.2	0.2

ROOM DIMENSION

		VIEWED CROSSWISE					VIEWED ENDWISE				
x	y										
2H	2H	16.4	18.0	16.8	18.3	18.6	15.6	17.2	15.9	17.5	17.8
	3H	18.0	19.4	18.3	19.7	20.1	16.9	18.3	17.3	18.7	19.0
	4H	18.6	20.0	19.0	20.3	20.7	17.4	18.7	17.7	19.1	19.4
	6H	19.1	20.3	19.5	20.7	21.1	17.6	18.9	18.0	19.3	19.6
	8H	19.1	20.3	19.5	20.7	21.1	17.6	18.9	18.1	19.2	19.6
	12H	19.1	20.3	19.5	20.7	21.1	17.6	18.8	18.0	19.2	19.6
4H	2H	17.0	18.4	17.4	18.8	19.1	16.2	17.6	16.6	18.0	18.3
	3H	18.7	19.9	19.2	20.3	20.7	17.7	18.9	18.1	19.2	19.6
	4H	19.5	20.6	20.0	21.0	21.4	18.3	19.3	18.7	19.7	20.2
	6H	20.1	21.0	20.5	21.4	21.9	18.6	19.5	19.1	19.9	20.4
	8H	20.2	21.1	20.7	21.5	22.0	18.7	19.5	19.1	20.0	20.4
	12H	20.2	21.0	20.7	21.4	21.9	18.7	19.5	19.2	19.9	20.4
8H	4H	19.7	20.6	20.2	21.0	21.5	18.5	19.3	19.0	19.8	20.2
	6H	20.4	21.1	20.9	21.6	22.1	18.9	19.6	19.4	20.1	20.6
	8H	20.6	21.2	21.1	21.7	22.2	19.1	19.7	19.6	20.2	20.7
	12H	20.6	21.1	21.1	21.6	22.1	19.1	19.6	19.6	20.1	20.6
12H	4H	19.8	20.5	20.2	21.0	21.5	18.5	19.3	19.0	19.7	20.2
	6H	20.5	21.1	21.0	21.6	22.1	19.0	19.6	19.5	20.1	20.6
	8H	20.7	21.2	21.2	21.7	22.2	19.1	19.6	19.6	20.1	20.6