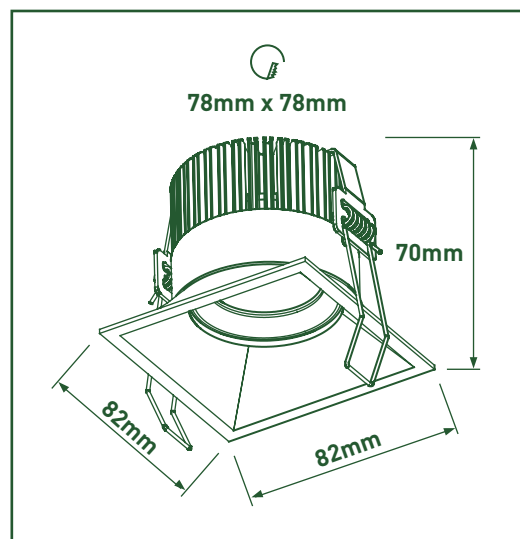


LOW GLARE RECESSED DOWNLIGHT

- Manufactured in aluminium
- Slim trim bezel for clean contemporary appearance and LED light source is mounted deep in the housing to limit glare
- Fixed position
- Double insulated
- Fixed output driver = LDR10350
Dimmable = LDRDIM15350



3 year
standard
WARRANTY

1 year
on site
WARRANTY

3 years standard and 1 year onsite warranty available in the UK. Rest of the world may vary, please ask your local distributor for more information.

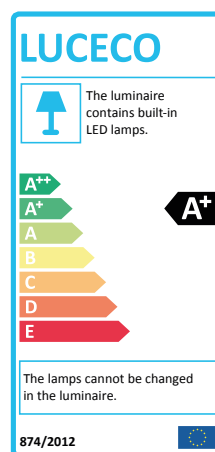
4000K NEUTRAL WHITE	350 mA	BEAM ANGLE 30°	WHITE FINISH	IP20 RATED	230v /50hz	CRI >80
----------------------------------	------------------	-----------------------------	------------------------	----------------------	----------------------	-------------------

CAT NO.	LUMINAIRE LUMENS	WATTAGE	EFFICACY LLM/W
LKT6564	720	6.2W	116

STANDARDS

EN 60598-1	Luminaires - General requirements
EN 60598-2-2	Luminaires - Recessed
EN 61347-1	Lamp controlgear - Part 1: General and safety requirements
EN 61347-2-13	Lamp controlgear - Part 2-13: Particular requirements for d.c. or a.c. supplied electronic controlgear for LED modules
EN 55015	Limits and methods of measurement of radio disturbance characteristics of electrical lighting and similar equipment
EN 61547	Equipment for general lighting purposes - EMC immunity requirements
EN 61000-3-2	Electromagnetic compatibility (EMC) - Part 3-2: Limits - for harmonic current emissions
EN 62471	Photobiological safety of lamps and lamp systems
2002/96/EC	Waste Electrical & Electronic Equipment (WEEE)
2011/65/EU	Restriction of the use of certain Hazardous Substances in EEE (RoHS)
(EC) No 1907/2006	The Registration, Evaluation, Authorisation and Restriction of Chemicals (REACH)

▼ CONTINUED



Tech Help Line
UK - **03300 249 279**

Non UK - **+44 (0)1952 238 100**

Supplied by Nexus Industries Ltd
Nexus Distribution Centre, Stafford Park 1
Telford, Shropshire, TF3 3BD

Visit our website at

www.luceco.uk

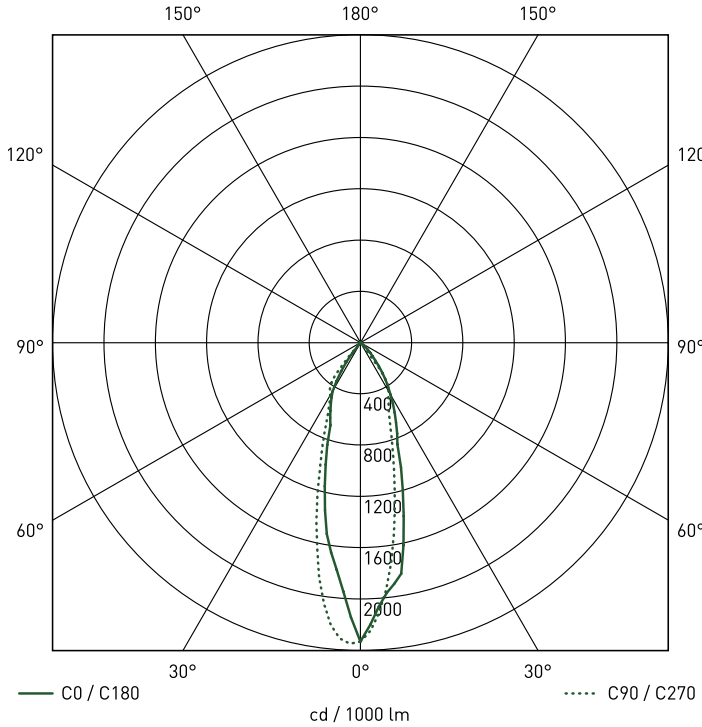
LUCECO PHOTOMETRIC DATA

LKT6564

LUMINAIRE PERFORMANCE

Light Output Ratio:	106.69%	Quantity:	1
Luminaire Efficacy:	116.15 lm/W	Designation:	LED
Light Distribution:	A40 ↓100.0% ↑0.0%	Colour Temperature:	4000K
CIE Flux Codes:	94 99 100 100 106	Luminous flux:	675 lm
UGR 4H 8H (20%, 50%, 70%) C0 / C90:	20.4 / 20.7	CRI:	81.8

LUMINOUS INTENSITY



	C0	C90	C180
0°	2331	2331	2331
5°	2006	2023	1857
10°	1829	1505	1515
15°	1293	1011	1069
20°	844	681	686
25°	645	517	555
30°	467	441	438
35°	320	326	229
40°	179	24	22
45°	95	15	18
50°	15	14	14
55°	13	13	12
60°	12	10	10
65°	8	6	7
70°	5	4	4
75°	4	3	3
80°	2	2	2
85°	0	1	0
90°	0	0	0
	cd / 1000 lm		

UNIFIED GLARE RATING (UGR) TABLE

REFLECTANCE OF

CEILING	0.7	0.7	0.5	0.5	0.3	0.7	0.7	0.5	0.5	0.3
WALLS	0.5	0.3	0.5	0.3	0.3	0.5	0.3	0.5	0.3	0.3
FLOOR CAVITY	0.2	0.2	0.2	0.2	0.2	0.2	0.2	0.2	0.2	0.2

ROOM DIMENSION

x		y		VIEWED CROSSWISE						VIEWED ENDWISE			
2H	2H	2H	2H	21.0	21.9	21.4	22.3	22.6	21.2	22.2	21.6	22.5	22.8
		3H	3H	20.8	21.7	21.2	22.0	22.4	21.1	21.9	21.5	22.3	22.6
		4H	4H	20.8	21.5	21.2	21.9	22.3	21.0	21.8	21.4	22.2	22.5
		6H	6H	20.7	21.4	21.1	21.8	22.2	21.0	21.7	21.4	22.1	22.5
		8H	8H	20.6	21.3	21.0	21.7	22.1	20.9	21.6	21.3	22.0	22.4
		12H	12H	20.5	21.2	21.0	21.6	22.0	20.9	21.5	21.3	21.9	22.3
4H	2H	2H	2H	20.7	21.5	21.1	21.9	22.2	21.0	21.8	21.4	22.1	22.5
		3H	3H	20.6	21.2	21.0	21.6	22.0	20.8	21.5	21.3	21.9	22.3
		4H	4H	20.5	21.1	21.0	21.5	22.0	20.8	21.4	21.2	21.8	22.2
		6H	6H	20.4	20.9	20.9	21.4	21.8	20.7	21.2	21.2	21.7	22.1
		8H	8H	20.4	20.8	20.9	21.3	21.8	20.7	21.1	21.2	21.6	22.1
		12H	12H	20.3	20.8	20.8	21.2	21.7	20.7	21.1	21.2	21.6	22.1
8H	4H	4H	4H	20.3	20.8	20.8	21.3	21.7	20.6	21.1	21.1	21.5	22.0
		6H	6H	20.2	20.6	20.8	21.1	21.6	20.5	20.9	21.0	21.4	21.9
		8H	8H	20.3	20.6	20.8	21.1	21.6	20.6	20.9	21.1	21.4	21.9
		12H	12H	20.2	20.5	20.7	21.0	21.5	20.6	20.9	21.1	21.4	21.9
12H	4H	4H	4H	20.3	20.7	20.8	21.2	21.7	20.6	21.0	21.1	21.4	22.0
		6H	6H	20.2	20.6	20.8	21.1	21.6	20.5	20.9	21.1	21.4	21.9
		8H	8H	20.2	20.5	20.7	21.0	21.5	20.5	20.8	21.1	21.3	21.8