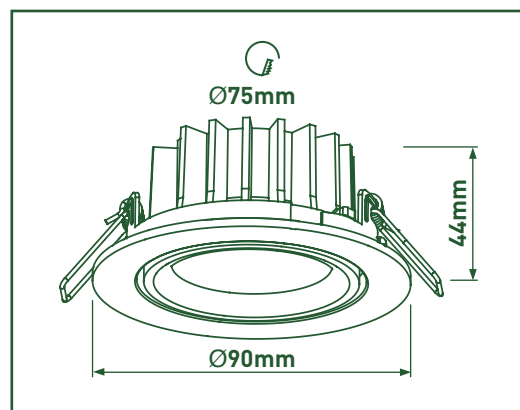


IP RATED DOWNLIGHT RECESSED

- An ideal alternative to low voltage halogen 35W lamp or mains voltage halogen 50W lamp
- Manufactured in aluminium
- Gimbal - adjustable positioning
- Double insulated
- Fixed output driver = LDR10350
Dimmable = LDRDIM15350



3 year
standard
WARRANTY

1 year
on site
WARRANTY

3 years standard and 1 year onsite warranty available in the UK. Rest of the world may vary, please ask your local distributor for more information.

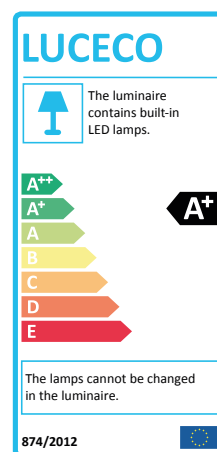
4000K NEUTRAL WHITE	350 mA	BEAM ANGLE 29°	WHITE FINISH	IP44 RATED	230v /50hz	CRI >80
----------------------------------	------------------	-----------------------------	------------------------	----------------------	----------------------	-------------------

CAT NO.	LUMINAIRE LUMENS	WATTAGE	EFFICACY LLM/W
LKT6595	720	6.2W	116

STANDARDS

EN 60598-1	Luminaires - General requirements
EN 60598-2-2	Luminaires - Recessed
EN 61347-1	Lamp controlgear - Part 1: General and safety requirements
EN 61347-2-13	Lamp controlgear - Part 2-13: Particular requirements for d.c. or a.c. supplied electronic controlgear for LED modules
EN 55015	Limits and methods of measurement of radio disturbance characteristics of electrical lighting and similar equipment
EN 61547	Equipment for general lighting purposes - EMC immunity requirements
EN 61000-3-2	Electromagnetic compatibility (EMC) - Part 3-2: Limits - for harmonic current emissions
EN 62471	Photobiological safety of lamps and lamp systems
2002/96/EC	Waste Electrical & Electronic Equipment (WEEE)
2011/65/EU	Restriction of the use of certain Hazardous Substances in EEE (RoHS)
(EC) No 1907/2006	The Registration, Evaluation, Authorisation and Restriction of Chemicals (REACH)

▼ CONTINUED



Tech Help Line
UK - **03300 249 279**

Non UK - **+44 (0)1952 238 100**

Supplied by Nexus Industries Ltd
Nexus Distribution Centre, Stafford Park 1
Telford, Shropshire, TF3 3BD

Visit our website at

www.luceco.uk

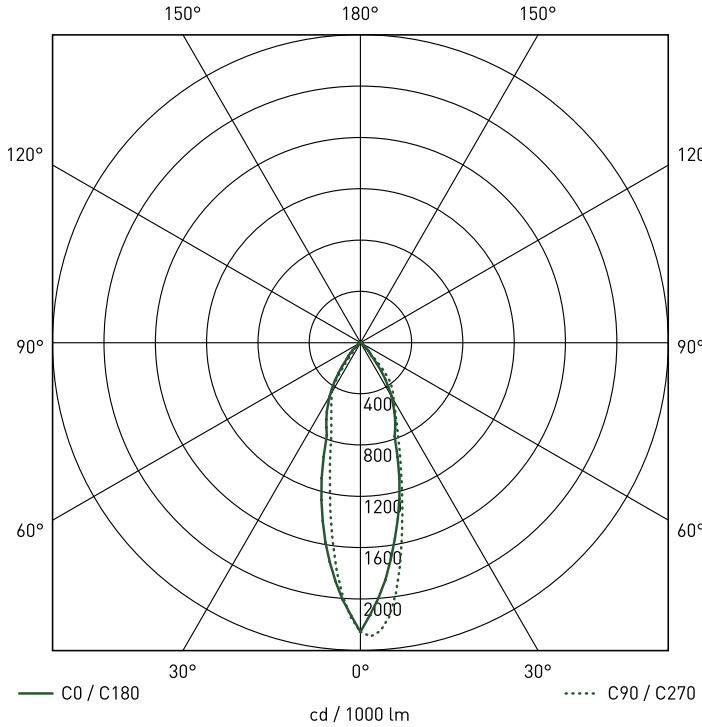
LUCECO PHOTOMETRIC DATA

LKT6595

LUMINAIRE PERFORMANCE

Light Output Ratio:	106.64%	Quantity:	1
Luminaire Efficacy:	116.1 lm/W	Designation:	LED
Light Distribution:	A40 ↓100.0% ↑0.0%	Colour Temperature:	4000K
CIE Flux Codes:	92 97 99 100 106	Luminous flux:	675 lm
UGR 4H 8H (20%, 50%, 70%) C0 / C90:	18.5 / 18.1	CRI:	82.1

LUMINOUS INTENSITY



	C0	C90	C180
0°	2254	2254	2254
5°	1932	2209	1943
10°	1552	1775	1583
15°	1179	1261	1183
20°	780	893	769
25°	636	658	629
30°	484	519	482
35°	309	426	328
40°	131	259	171
45°	80	51	102
50°	27	30	29
55°	22	24	24
60°	16	18	18
65°	14	15	16
70°	12	13	13
75°	10	12	11
80°	8	11	9
85°	0	5	0
90°	0	0	0
	cd / 1000 lm		

UNIFIED GLARE RATING (UGR) TABLE

REFLECTANCE OF

CEILING	0.7	0.7	0.5	0.5	0.3	0.7	0.7	0.5	0.5	0.3
WALLS	0.5	0.3	0.5	0.3	0.3	0.5	0.3	0.5	0.3	0.3
FLOOR CAVITY	0.2	0.2	0.2	0.2	0.2	0.2	0.2	0.2	0.2	0.2

ROOM DIMENSION

x		y	VIEWED CROSSWISE					VIEWED ENDWISE				
2H	2H	2H	17.6	18.6	18.0	18.9	19.2	16.9	17.8	17.2	18.1	18.5
	3H	3H	17.7	18.6	18.1	19.0	19.3	17.1	17.9	17.4	18.3	18.6
	4H	4H	17.9	18.7	18.3	19.1	19.4	17.3	18.1	17.7	18.5	18.9
	6H	6H	18.2	18.9	18.6	19.3	19.7	17.7	18.4	18.1	18.8	19.2
	8H	8H	18.2	18.9	18.6	19.3	19.7	17.7	18.4	18.1	18.7	19.2
	12H	12H	18.1	18.8	18.6	19.2	19.6	17.6	18.3	18.0	18.7	19.1
4H	2H	2H	17.4	18.2	17.8	18.6	19.0	16.7	17.5	17.1	17.9	18.3
	3H	3H	17.7	18.4	18.1	18.8	19.2	17.1	17.8	17.5	18.2	18.6
	4H	4H	18.1	18.6	18.5	19.1	19.5	17.6	18.2	18.0	18.6	19.0
	6H	6H	18.4	18.9	18.9	19.4	19.9	18.0	18.6	18.5	19.0	19.5
	8H	8H	18.5	19.0	19.0	19.5	19.9	18.1	18.6	18.6	19.0	19.5
	12H	12H	18.5	18.9	19.0	19.4	19.9	18.1	18.5	18.5	18.9	19.5
8H	4H	4H	18.1	18.6	18.6	19.0	19.5	17.7	18.1	18.1	18.6	19.1
	6H	6H	18.6	19.0	19.1	19.5	20.0	18.2	18.7	18.8	19.1	19.6
	8H	8H	18.8	19.2	19.4	19.7	20.2	18.4	18.7	18.9	19.2	19.7
	12H	12H	18.8	19.1	19.3	19.6	20.1	18.3	18.6	18.9	19.1	19.7
12H	4H	4H	18.1	18.6	18.6	19.0	19.5	17.7	18.1	18.2	18.6	19.1
	6H	6H	18.7	19.0	19.2	19.6	20.1	18.3	18.6	18.8	19.2	19.7
	8H	8H	18.9	19.2	19.4	19.7	20.2	18.4	18.7	18.9	19.2	19.7