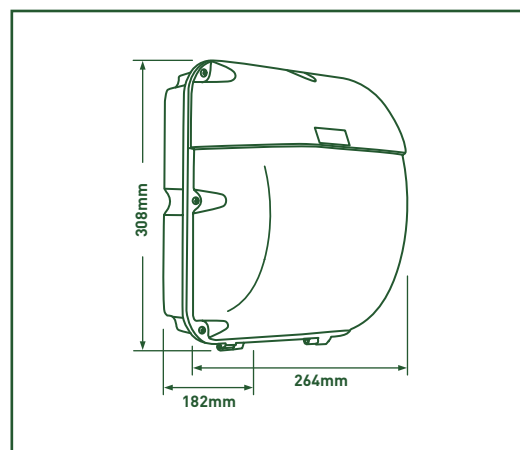


## WALL PACK

- LED alternative to HID, ideal for security lighting
- RAL7026 finish
- Supplied pre-wired with H05RN-F rubber insulated cable
- Integral LED array and driver



**3 year**  
standard  
WARRANTY

**1 year**  
on site  
WARRANTY

3 years standard and 1 year onsite warranty available in the UK. Rest of the world may vary, please ask your local distributor for more information.

<b>4200K</b> NEUTRAL WHITE	<b>25,000</b> HOURS	<b>IP65</b> RATED	<b>230v</b> /50hz	<b>CRI</b> >80
----------------------------------	------------------------	----------------------	----------------------	-------------------

CAT NO.	LUMINAIRE LUMENS	WATTAGE	EFFICACY Llm/W
LWP21L42	1240	32.5W	38

### STANDARDS

EN 60598-1	Luminaires - General requirements
EN 60598-2-1	Luminaires - Fixed
EN 61347-1	Lamp controlgear - Part 1: General and safety requirements
EN 61347-2-13	Lamp controlgear - Part 2-13: Particular requirements for d.c. or a.c. supplied electronic controlgear for LED modules
EN 55015	Limits and methods of measurement of radio disturbance characteristics of electrical lighting and similar equipment
EN 61547	Equipment for general lighting purposes - EMC immunity requirements
EN 61000-3-2	Electromagnetic compatibility (EMC) - Part 3-2: Limits - for harmonic current emissions
EN 62471	Photobiological safety of lamps and lamp systems
2002/96/EC	Waste Electrical & Electronic Equipment (WEEE)
2011/65/EU	Restriction of the use of certain Hazardous Substances in EEE (RoHS)
(EC) No 1907/2006	The Registration, Evaluation, Authorisation and Restriction of Chemicals (REACH)

▼ CONTINUED



**LUCECO**

The luminaire contains built-in LED lamps.

**A++**  
**A+**  
**A**  
**B**  
**C**  
**D**  
**E**

**A+**

The lamps cannot be changed in the luminaire.

874/2012

Tech Help Line  
UK - **03300 249 279**  
Non UK - **+44 (0)1952 238 100**

Supplied by Nexus Industries Ltd  
Nexus Distribution Centre, Stafford Park 1  
Telford, Shropshire, TF3 3BD

Visit our website at  
**www.luceco.uk**

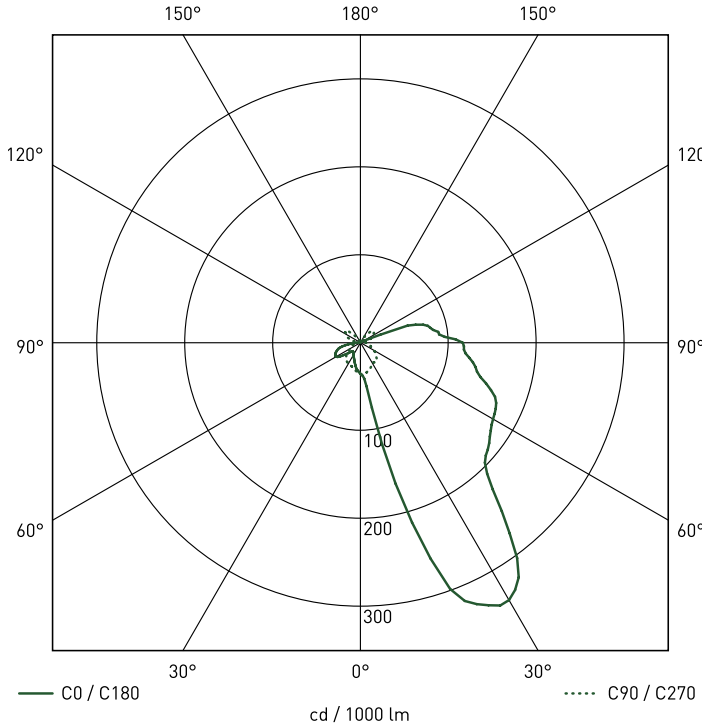
# LUCECO PHOTOMETRIC DATA

## LWP21L42

### LUMINAIRE PERFORMANCE

Light Output Ratio:	58.64%	Quantity:	1
Luminaire Efficacy:	22.37 lm/W	Designation:	LED
Light Distribution:	B21 ↓83.4% ↑16.6%	Colour Temperature:	4200K
CIE Flux Codes:	31 59 82 83 59	Luminous flux:	1240 lm
UGR 4H 8H (20%, 50%, 70%) C0 / C90:	23.0 / 16.6	CRI:	80

### LUMINOUS INTENSITY



	C0	C90	C180
0°	36	36	36
10°	76	35	29
20°	298	32	21
30°	338	27	16
40°	250	29	14
50°	189	24	19
60°	174	17	32
70°	158	12	29
80°	130	9	18
90°	116	6	2
100°	84	7	1
110°	57	11	1
120°	5	17	1
130°	3	20	1
140°	2	15	1
150°	1	5	1
160°	1	1	1
170°	1	1	1
180°	0	0	0
	cd / 1000 lm		

### UNIFIED GLARE RATING (UGR) TABLE

#### REFLECTANCE OF

CEILING	0.7	0.7	0.5	0.5	0.3	0.7	0.7	0.5	0.5	0.3
WALLS	0.5	0.3	0.5	0.3	0.3	0.5	0.3	0.5	0.3	0.3
FLOOR CAVITY	0.2	0.2	0.2	0.2	0.2	0.2	0.2	0.2	0.2	0.2

#### ROOM DIMENSION

ROOM DIMENSION		VIEWED CROSSWISE					VIEWED ENDWISE				
x	y										
2H	2H	16.7	18.2	17.3	18.8	19.5	11.4	12.9	12.0	13.5	14.2
	3H	18.9	20.3	19.5	20.9	21.6	12.5	13.9	13.1	14.5	15.2
	4H	20.0	21.3	20.6	21.9	22.6	12.9	14.2	13.5	14.8	15.5
	6H	21.1	22.3	21.7	22.9	23.7	13.1	14.3	13.7	15.0	15.7
	8H	21.6	22.8	22.2	23.4	24.2	13.2	14.4	13.8	15.0	15.8
	12H	22.1	23.3	22.7	23.9	24.7	13.3	14.4	13.9	15.1	15.8
4H	2H	17.5	18.8	18.1	19.4	20.1	13.2	14.5	13.8	15.1	15.8
	3H	19.9	21.0	20.5	21.7	22.4	15.0	16.2	15.6	16.8	17.6
	4H	21.1	22.2	21.8	22.9	23.6	15.9	16.9	16.5	17.6	18.4
	6H	22.4	23.4	23.1	24.0	24.8	16.3	17.3	17.0	18.0	18.8
	8H	23.0	24.0	23.7	24.6	25.4	16.6	17.5	17.3	18.2	19.0
	12H	23.7	24.5	24.4	25.2	26.1	16.8	17.7	17.5	18.3	19.2
8H	4H	21.6	22.6	22.3	23.2	24.0	17.1	18.0	17.8	18.7	19.5
	6H	23.1	23.9	23.8	24.6	25.4	18.2	18.9	18.8	19.6	20.5
	8H	23.9	24.6	24.6	25.4	26.2	18.8	19.5	19.5	20.2	21.0
	12H	24.7	25.4	25.5	26.1	26.9	19.2	19.8	19.9	20.5	21.4
12H	4H	21.8	22.6	22.4	23.3	24.1	17.3	18.2	18.0	18.9	19.7
	6H	23.3	24.0	24.0	24.8	25.6	18.6	19.3	19.3	20.1	20.9
	8H	24.2	24.8	24.9	25.5	26.4	19.3	20.0	20.1	20.7	21.5