

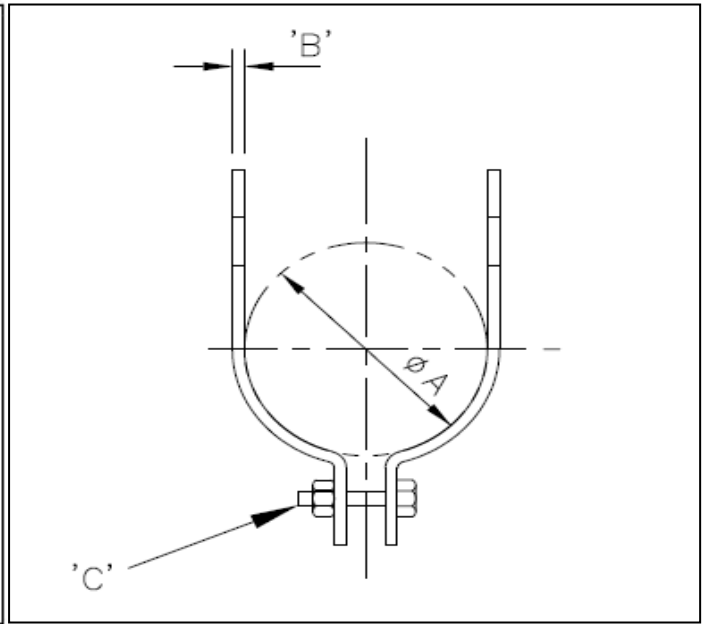
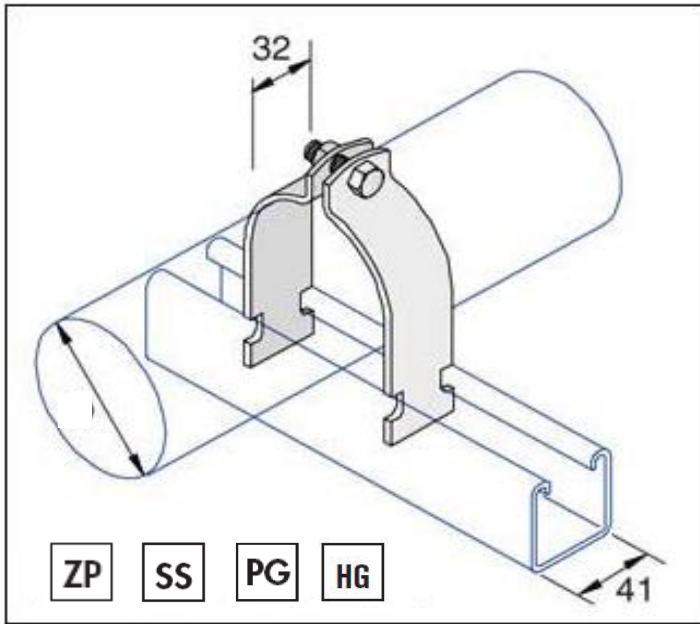
Product Data Sheet

Ref: M1108-M1155 Issue: B Date: NOV 2016

UNISTRUT®

atkore
INTERNATIONAL

M1108 -M1155 series Pipe Clamps



UNISTRUT PART No.	∅ A	∅ SIZE RANGE	B	C = HEX.HD. SCREW&NUT.	WEIGHT PER ASS'Y (GRAMS)	QUANTITY PER BOX	UNISTRUT PART No.	∅ A	∅ SIZE RANGE	B	C = HEX.HD. SCREW&NUT.	WEIGHT PER ASS'Y (GRAMS)	QUANTITY PER BOX
M1108	9.5	8.7–10.3	1.5	M6x20 LONG	35	20	M1132	85	82.6–88.1	2.5	M8x35 LONG	189	10
M1109	11	10.3–12.7	1.5	M6x20 LONG	37	20	M1133	90	88.1–95.2	2.5	M8x35 LONG	203	10
M1110	12.5	11.9–13.5	1.5	M6x20 LONG	38	20	M1134	96	95.2–100.0	2.5	M10x40 LONG	219	20
M1111	14	13.5–14.3	1.5	M6x20 LONG	39	20	M1135	102	100.0–106.4	2.5	M10x40 LONG	273	20
M1112	15	14.3–16.7	1.5	M6x20 LONG	40	20	M1136	109	106.4–111.1	2.5	M10x40 LONG	286	20
M1113	17	15.9–18.3	1.5	M6x20 LONG	41	20	M1137	115	111.1–120.7	2.5	M10x45 LONG	296	10
M1114	19	18.3–20.6	1.5	M6x20 LONG	45	20	M1138	124	120.7–129.4	2.5	M10x45 LONG	318	10
M1115	20	19.0–21.4	1.5	M6x20 LONG	47	20	M1139	133	129.4–138.1	2.5	M10x50 LONG	343	10
M1116	23	21.4–25.4	1.5	M6x30 LONG	49	20	M1140	142	138.1–149.2	2.5	M10x50 LONG	348	10
M1117	26.5	25.4–27.8	1.5	M6x30 LONG	53	20	M1141	155	149.2–161.9	2.5	M10x50 LONG	376	10
M1118	28.5	27–30.2	1.5	M6x30 LONG	64	20	M1142	168	161.9–174.6	2.5	M10x60 LONG	410	20
M1119	32	30.2–33.8	1.5	M6x30 LONG	72	20	M1143	178	174.6–182.6	2.5	M10x60 LONG	423	20
M1120	34	31.8–35.9	1.5	M6x30 LONG	75	20	M1144	187	182.6–190.5	2.5	M10x60 LONG	466	20
M1121	38	34.9–39.7	1.5	M6x30 LONG	79	20	M1145	194	190.5–203.2	2.5	M10x60 LONG	491	20
M1122	41	39.7–42.9	1.5	M6x30 LONG	84	20	M1146	206	203.2–212.7	2.5	M10x60 LONG	501	20
M1123	44	42.9–46.8	1.5	M6x30 LONG	90	20	M1147	218	212.7–225.4	2.5	M10x60 LONG	505	20
M1124	48	46.8–50.8	2.5	M8x35 LONG	128	20	M1148	232	225.4–238.1	2.5	M10x65 LONG	524	20
M1125	50	48.4–52.4	2.5	M8x35 LONG	131	20	M1149	244	238.1–250.8	2.5	M10x65 LONG	555	20
M1126	54	52.4–58.7	2.5	M8x35 LONG	137	10	M1150	257	250.8–263.5	2.5	M10x65 LONG	576	20
M1127	61	58.7–63.5	2.5	M8x35 LONG	150	10	M1151	269	263.5–276.2	2.5	M10x65 LONG	592	20
M1128	66	63.5–68.3	2.5	M8x35 LONG	160	10	M1152	282	276.2–288.9	2.5	M10x65 LONG	624	20
M1129	70	68.3–73	2.5	M8x35 LONG	164	10	M1153	295	288.9–301.6	2.5	M10x65 LONG	654	20
M1130	76	73.0–79.4	2.5	M8x35 LONG	171	10	M1154	308	301.6–314.3	2.5	M10x65 LONG	679	10
M1131	79	76.2–82.6	2.5	M8x35 LONG	175	10	M1155	320	314.3–327.0	2.5	M10x65 LONG	699	10

Material: Clamp - Carbon Steel to BS EN 10025 or BS EN 10149 - Min. Yield 280 N/mm²

Screw & (Nut) - Carbon Steel grade 8.8(8) or 4.8(4)

Clamp - Stainless Steel to BS EN 10088-2 1.4404 +1D

Screw & Nut - Stainless Steel grade 316

Clamp - Pre-Galv Coil to BS EN 10346 1.0244 + Z275-N-A-C

Finish: Carbon Steel - Bright Zinc Plated to BS EN 12329 - Fe//Zn5//A

Stainless Steel - Self Colour

Hot Dip Galvanized - to BS EN ISO 1461:

Pre-Galv - As stated for material specification

UNISTRUT®
atkore
INTERNATIONAL

UNISTRUT HEALTH & SAFETY DATA SHEET REF'S :

No. 001 - PLAIN STEEL, PRE-GALVANIZED, GALVANIZED AND STAINLESS STEEL COMPONENTS

No. 099 - HOT DIP GALVANIZING (CHANNEL & COMPONENTS)

No. 102 - STEEL



