

Loovent

Toilet and bathroom ventilation



Key Features

- Proven centrifugal fan
- Flow Rate up to 111 m³/hr
- Surface or recessed mounted
- Compact design - smallest 30 l/sec fan in class
- Well proven, centrifugal, filterless technology
- Integral magnetic anti-backdraught flap
- Thermally protected motor
- IPX4 rating
- TÜV approved
- Complies with Building Regulations
- 3 year warranty



TIMER

Loovent

Highly reliable and powerful fan in a modular design for ease of installation and maintenance.

Loovent centrifugal fans are perfect where longer duct runs are required as they are powerful enough to overcome pressure loss. All Loovents are designed to provide extraction levels that comply with the latest Building Regulations.

The Loovent fan offers an adjustable timer overrun control, ensuring efficient ventilation, which can be used with 100mm ducting. It provide the ideal solution for removing damp moist air, odours and airborne pollutants from en-suites, bathrooms and utility rooms.

The new LOOVENT eco range offers a full range of functionality including SAP Appendix Q approved dMEV versions.



Models

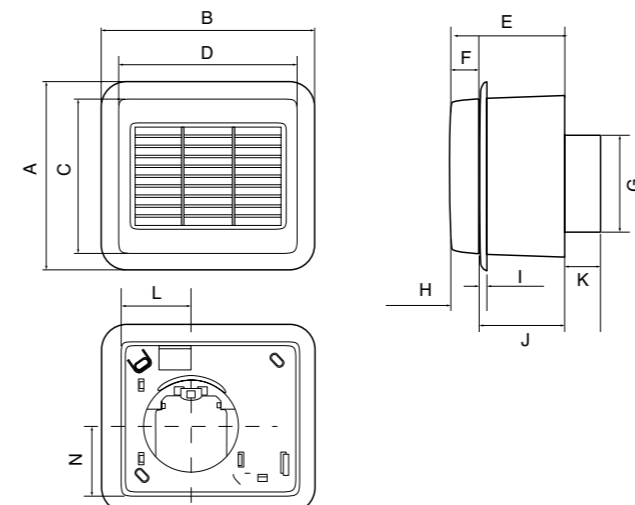
Timer	Remote switch with run on timer adjustable between 5 and 45 minutes
-------	---

Technical Data

Specification	Loovent TM 01
Air flow m ³ /hr	111
Air flow l/sec	31
Fan type	Centrifugal
Controls	Timer
Mounting	Surface / Recess
	Wall / Ceiling
Sound Pressure dB(A)@3m	58
Power watts	30
Amps	2
Building Regulations ADF	Yes
Duct diameter (mm)	100
Voltage	230v / 1ph / 50Hz
Rating	IPX4
Material finish	ABS
Weight (kg)	1.5
Dimensions (H x W x D) mm	162 x 181 x 112
Part No.	71766401

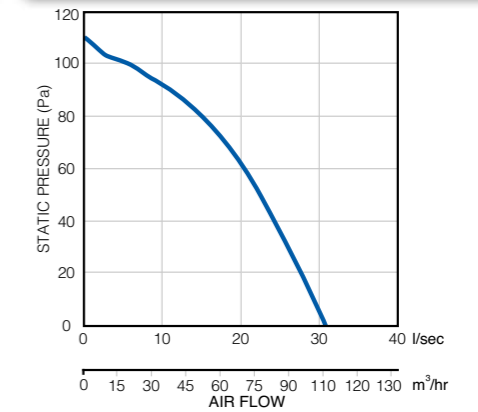


Dimensions (mm)



Model	A	B	C	D	E	F	G	H	I	J	K	L	N
Loovent	199	217	162	181	112	26	97	31-33	4-8	85	35	72	72

Performance



Controls and Accessories

A range of accessories including flexible and rigid ducting kits, controls, switches and grilles are available.

See accessories for more details.