



a **LEVITON**
company

JC14157WH

Starspot 1500 Mains IP20 Track Spotlight LED 20W 3000K 1300lm
40° White



General Information

Product Group	LED- Track
Product Range	Starspot 1500
Trade Name	Starscoop
Light Source	LED
Light Source Features	Warm White
Lighting Product Type	Track Head
Product Shape	Cylinder
Product Weight	0.75kg
Color Finish	White

JCC Lighting

Innovation Centre, Beeding Close, Southern Cross
Trading Estate, Bognor Regis, West Sussex, PO22 9TS
Company Registration Number: 03044848 | VAT Number: 918544112
T: 01243 838999 | F: 01243 838998 | sales@jcc.co.uk | www.jcc.co.uk

Recommended Product Location	Domestic, commercial and industrial applications
Method Of Fix	fixed to single circuit or 3-circuit with JC88118
Max Angle Of Tilt & Rotation	350° rotation 90° tilt
IP Rating	IP20
Environment	Indoor
Suitable For Zones	Outside zones 1 and 2
Driver Manufacturer	LSC20W500HP UNI/HEP
LED Manufacturer/Type	CXB1512/CREE

Electrical

Voltage Rating	100-277
Primary Running Current	500mA
Operating Frequency (Hz)	50/60Hz
CC or CV	Constant current
Luminaire Circuit Wattage	22W
Class	Class I
Output Voltage (V)	24-42V DC
Power Factor Correction	0.9
Input Electrical Connections	Fixed to mainline track
Dimmable	no

Thermals

Max Luminaire Ambient Temp.	26°C
Max Driver/Ballast Ambient Temp.	50°C

Performance Data

JCC Lighting

Innovation Centre, Beeding Close, Southern Cross
Trading Estate, Bognor Regis, West Sussex, PO22 9TS
Company Registration Number: 03044848 | VAT Number: 918544112
T: 01243 838999 | F: 01243 838998 | sales@jcc.co.uk | www.jcc.co.uk

Energy Rating	A
Actual Lumen Output	1300
Lumen Output	1100-1500
Lumens Per Circuit Watt	59
LED Life (Hours)	50000 to L70
Color Rendering Index	80-89
CRI: Ra	85
Correlated Color Temperature	3000K
Light Distribution Detail	40-degree
LOR (Light Output Ratio) %	100%
Photometry Available	yes

Construction

Primary Material	Aluminum
Lens	Clear
Heat Sink	Cast aluminium
Driver Housing	Cast aluminium
Rim Or Attachment	Cast aluminium

Packaging

Luminaire Carton Dimensions	15.2 x 6.5 x 15.3cm
Quantity Per Outer Carton	12
Bar Code EAN Number	5052544046780

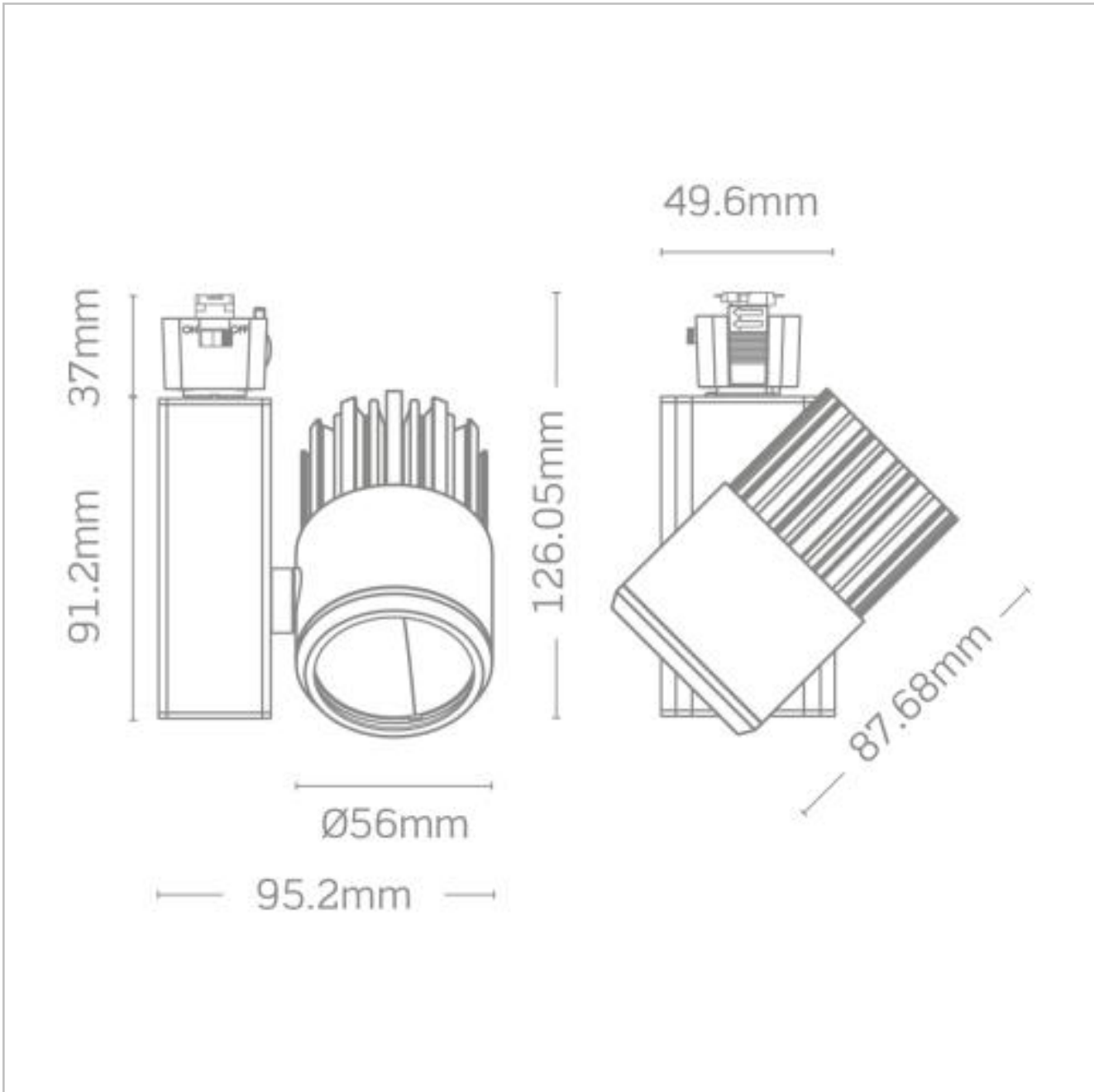
Standards & Approvals

Listings	CE
-----------------	----

JCC Lighting

Innovation Centre, Beeding Close, Southern Cross
Trading Estate, Bognor Regis, West Sussex, PO22 9TS
Company Registration Number: 03044848 | VAT Number: 918544112
T: 01243 838999 | F: 01243 838998 | sales@jcc.co.uk | www.jcc.co.uk

Manufactured In Accordance To	BS EN 60598-2-1
CE Marked	yes
Batch Coded	yes
Certificate Of Conformity	yes, available on request
Accredited Members	LIA, ISO9001:2015, ISO14001:2015



Datasheet generated from <https://www.electrika.cloud> on 07 September 2018 14:42:26

JCC Lighting

Innovation Centre, Beeding Close, Southern Cross
Trading Estate, Bognor Regis, West Sussex, PO22 9TS
Company Registration Number: 03044848 | VAT Number: 918544112
T: 01243 838999 | F: 01243 838998 | sales@jcc.co.uk | www.jcc.co.uk