



a **LEVITON**  
company

JC14222BLK

Starspot 600 Mains Dimmable IP20 Track Spotlight LED 7W 3000K  
580lm 36° Black



## Features & Benefits

Exceeds 50W halogen light output

Triac dimmable as standard

36° beam angle

## General Information

|                              |              |
|------------------------------|--------------|
| <b>Product Group</b>         | LED - Track  |
| <b>Product Range</b>         | Starspot 600 |
| <b>Trade Name</b>            | Starscoop    |
| <b>Light Source</b>          | LED          |
| <b>Light Source Features</b> | Warm White   |
| <b>Lighting Product Type</b> | Track Head   |

### JCC Lighting

Innovation Centre, Beeding Close, Southern Cross

Trading Estate, Bognor Regis, West Sussex, PO22 9TS

Company Registration Number: 03044848 | VAT Number: 918544112

T: 01243 838999 | F: 01243 838998 | [sales@jcc.co.uk](mailto:sales@jcc.co.uk) | [www.jcc.co.uk](http://www.jcc.co.uk)

|   |  |
|---|--|
| <b>Product Shape</b>                    | Cylinder   |
| <b>Product Weight</b>                   | 0.33kg   |
| <b>Color Finish</b>                     | Black  |
| <b>Overall Dimensions</b>               | 91.8 x 132.5 mm  |
| <b>Recommended Product Location</b>     | Retail areas, displays museums etc                       |
| <b>Method Of Fix</b>                    | Fixed to single circuit track 3or 3 circuit with JC88118 |
| <b>Max Angle Of Tilt &amp; Rotation</b> | 350° rotation / 0-90° tilt                               |
| <b>IP Rating</b>                        | IP20   |
| <b>Environment</b>                      | Indoor   |
| <b>Suitable For Zones</b>               | Outside zone 2   |
| <b>Distance From Lighted Object</b>     | 0.3m   |
| <b>Origin Of Manufacture</b>            | PRC  |
| <b>Guarantee</b>                        | 5 year extended(subject to warranty)                     |
| <b>Dimming Protocol Compatibility</b>   | Triac  |
| <b>Driver Manufacturer</b>              | Mains LED CHIP   |
| <b>LED Manufacturer/Type</b>            | EDC/38C/8W/830/230V/A001/LUMENS                          |

## Electrical

|                                  |                    |
|----------------------------------|--------------------|
| <b>Voltage Rating</b>            | 210-250            |
| <b>Operating Frequency (Hz)</b>  | 50/60Hz            |
| <b>Luminaire Circuit Wattage</b> | 7W                 |
| <b>Class</b>                     | Class 1            |
| <b>Dimmable</b>                  | Yes, Phase dimming |

## Thermals

|                                    |      |
|------------------------------------|------|
| <b>Max Luminaire Ambient Temp.</b> | 26°C |
|------------------------------------|------|

### JCC Lighting

Innovation Centre, Beeding Close, Southern Cross  
Trading Estate, Bognor Regis, West Sussex, PO22 9TS  
Company Registration Number: 03044848 | VAT Number: 918544112  
T: 01243 838999 | F: 01243 838998 | [sales@jcc.co.uk](mailto:sales@jcc.co.uk) | [www.jcc.co.uk](http://www.jcc.co.uk)

## Performance Data

|                                     |           |
|-------------------------------------|-----------|
| <b>Energy Rating</b>                | A+        |
| <b>Actual Lumen Output</b>          | 580       |
| <b>Lumen Output</b>                 | 501-800   |
| <b>Lumens Per Circuit Watt</b>      | 83 LpcW   |
| <b>LED Life (Hours)</b>             | 30000     |
| <b>Color Rendering Index</b>        | 80-89     |
| <b>CRI: Ra</b>                      | 85        |
| <b>Correlated Color Temperature</b> | 3000K     |
| <b>Light Distribution Detail</b>    | 36-degree |
| <b>LOR (Light Output Ratio) %</b>   | 100%      |
| <b>Photometry Available</b>         | Yes       |

## Construction

|                         |                    |
|-------------------------|--------------------|
| <b>Primary Material</b> | Aluminum           |
| <b>Lens</b>             | Polycarbonate      |
| <b>Heat Sink</b>        | Die-cast aluminium |

## Packaging

|                                    |                   |
|------------------------------------|-------------------|
| <b>Luminaire Carton Dimensions</b> | 102 x 60 x 153 mm |
| <b>Quantity Per Outer Carton</b>   | 24                |
| <b>Bar Code EAN Number</b>         | 5052544051371     |
| <b>Packaged Weight</b>             | 0.37kg            |

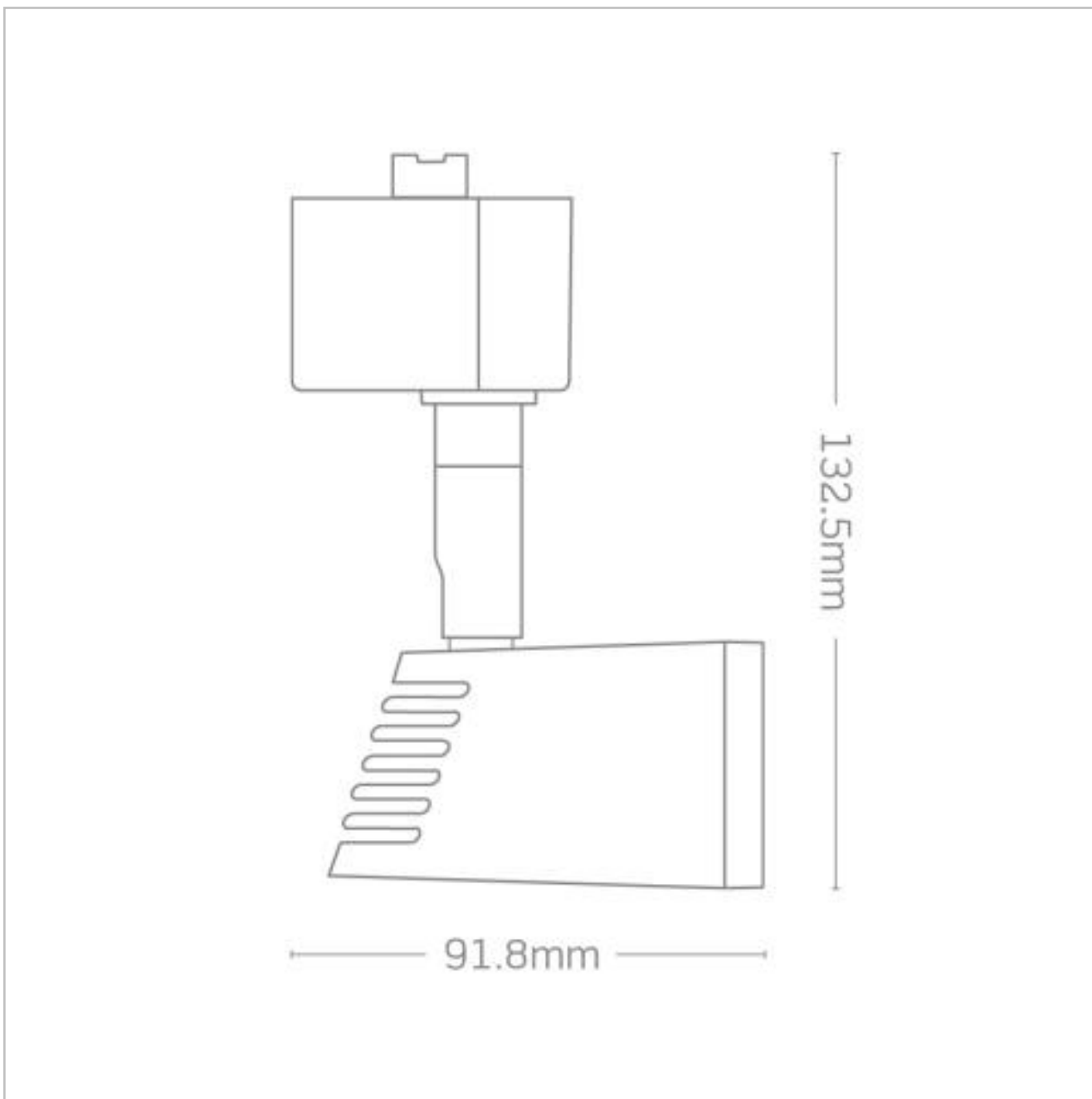
## Standards & Approvals

|                 |    |
|-----------------|----|
| <b>Listings</b> | CE |
|-----------------|----|

### JCC Lighting

Innovation Centre, Beeding Close, Southern Cross  
Trading Estate, Bognor Regis, West Sussex, PO22 9TS  
Company Registration Number: 03044848 | VAT Number: 918544112  
T: 01243 838999 | F: 01243 838998 | [sales@jcc.co.uk](mailto:sales@jcc.co.uk) | [www.jcc.co.uk](http://www.jcc.co.uk)

|                                      |                                  |
|--------------------------------------|----------------------------------|
| <b>Manufactured In Accordance To</b> | BS EN 60598-2,BS EN 60570:2003   |
| <b>CE Marked</b>                     | Yes                              |
| <b>Batch Coded</b>                   | Yes                              |
| <b>Certificate Of Conformity</b>     | Available on request             |
| <b>Accredited Members</b>            | LIA, ISO9001:2015, ISO14001:2015 |



Datasheet generated from <https://www.electrika.cloud> on 07 September 2018 14:55:56

### JCC Lighting

Innovation Centre, Beeding Close, Southern Cross

Trading Estate, Bognor Regis, West Sussex, PO22 9TS

Company Registration Number: 03044848 | VAT Number: 918544112

T: 01243 838999 | F: 01243 838998 | [sales@jcc.co.uk](mailto:sales@jcc.co.uk) | [www.jcc.co.uk](http://www.jcc.co.uk)