

JC1001/NB

V50 fire-rated downlight 7.5W dimmable 3000/4000K 600/650lm

No bezel



Features & Benefits

Two colour selectable from below the ceiling, 3000K & 4000K

Ultra-low profile suitable for shallow 50mm ceiling voids

Fully fire-rated for 30, 60 and 90 minute ceilings

IP65, suitable for bathrooms (internal use only)

Strong protected spring clips

Fast, push-fit termination with remote driver

Triac dimmable as standard (recommended dimmer list on JCC website)

Twist & lock bezel design

Available as complete fixture (JC1001) or without bezel (JC1001/NB)

JC1001/NB requires separate bezel (JC1006)

General Information

JCC Lighting

Innovation Centre, Beeding Close, Southern Cross

Trading Estate, Bognor Regis, West Sussex, PO22 9TS

Company Registration Number: 03044848 | VAT Number: 918544112

T: 01243 838999 | F: 01243 838998 | sales@jcc.co.uk | www.jcc.co.uk

Product Group	Fire-rated Downlights
Product Range	V50
Trade Name	V50
Light Source	LED
Light Source Features	Colour Selectable
Lighting Product Type	Fired Rated Downlights
Product Shape	Round
Trim	Trimless
Mounting	Recessed
Product Weight	0.28kg
Overall Dimensions	Ø84 x 67.7
Overall Dimensions (mm) Rim	Ø84
Recommended Product Location	Indoor use only
Minimum Void Requirement	50mm
Method Of Fix	Recessed with Spring Clips
Product Aperture Size	70mm
IP Rating	IP65
Environment	Indoor
Luminaire Accessories	Black, Brushed Brass, Brushed Nickel, Chrome or White Replacement Bezel; Concealer Ring; Converter Plate
Duration Of Fire Protection (mins)	30/60/90
Origin Of Manufacture	Made In China
Guarantee	3 Years
Dimming Protocol Compatibility	Triac
Driver Manufacturer	JCC
LED Manufacturer/Type	Hongli

JCC Lighting

Innovation Centre, Beeding Close, Southern Cross
Trading Estate, Bognor Regis, West Sussex, PO22 9TS
Company Registration Number: 03044848 | VAT Number: 918544112
T: 01243 838999 | F: 01243 838998 | sales@jcc.co.uk | www.jcc.co.uk

Electrical

Voltage Rating	230-240
Secondary Running Current	180mA
Operating Frequency (Hz)	50/60Hz
CC or CV	CC
Luminaire Circuit Wattage	7.5
Sec - Voltage (V)	36VDC
Class	II
Input Electrical Connections	Push Fit Terminals LEN Loop In/Loop Out
Dimmable	Yes
Max No. In Run	20

Thermals

Room Ambient Temperature Not To Exceed	30°C
Insulation Coverage	Loosely Cover with Mineral Wool Insulation

Performance Data

Energy Rating	A+
Actual Lumen Output	600/650
Lumen Output	501-800
Lumens Per Circuit Watt	80/87
LED Life (Hours)	51000
Color Rendering Index	80-89
CRI: Ra	80
Correlated Color Temperature	3000K/4000K

JCC Lighting

Innovation Centre, Beeding Close, Southern Cross
Trading Estate, Bognor Regis, West Sussex, PO22 9TS
Company Registration Number: 03044848 | VAT Number: 918544112
T: 01243 838999 | F: 01243 838998 | sales@jcc.co.uk | www.jcc.co.uk

Light Distribution Detail	60-degree
LOR (Light Output Ratio) %	100%
Photometry Available	Yes: available on request.

Construction

Primary Material	Steel
Lens	PC
Heat Sink	Extruded Aluminium
Driver Housing	Polycarbonate
Rim Or Attachment	Die-cast Aluminium

Packaging

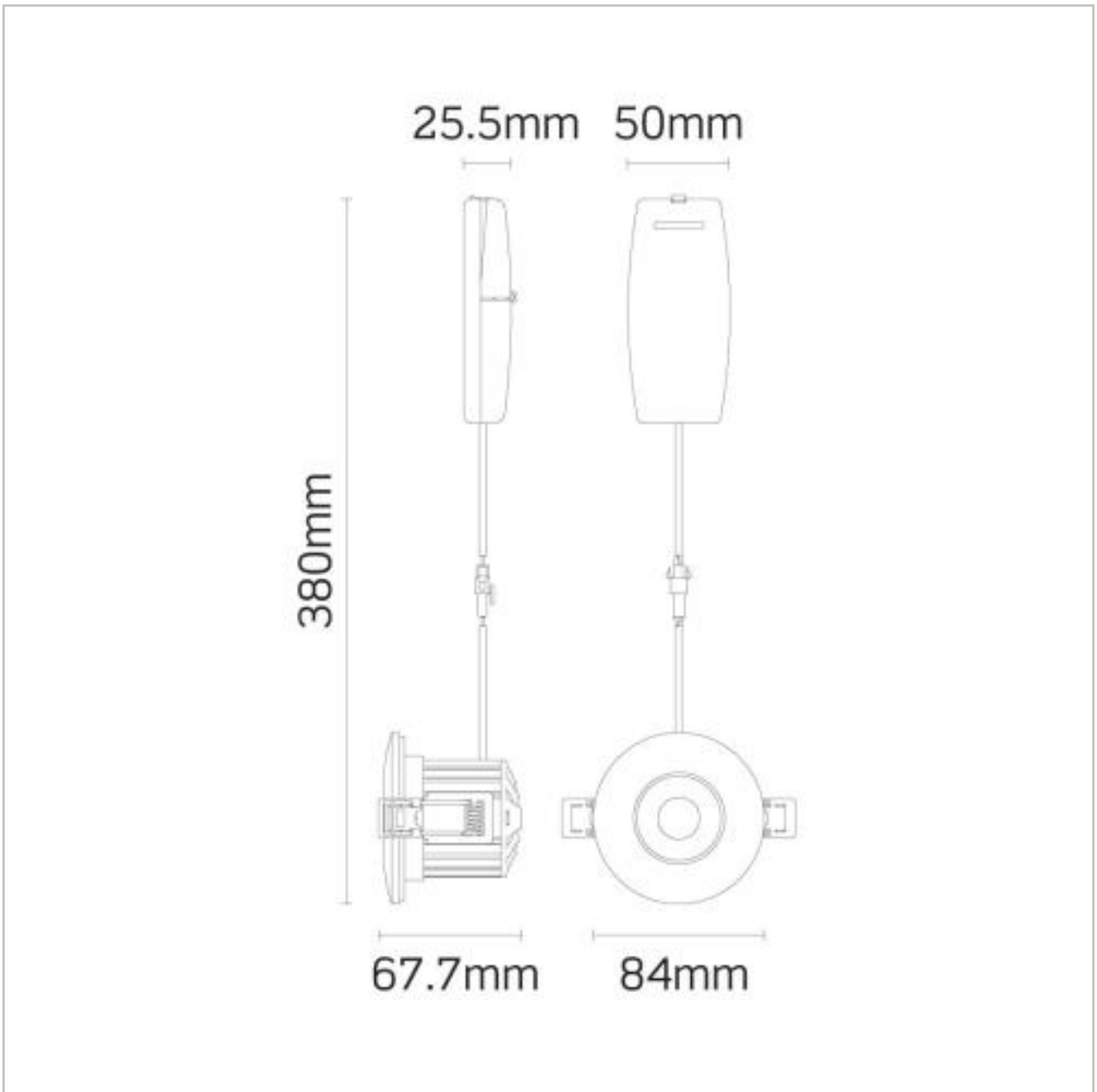
Luminaire Carton Dimensions	12 x 10 x 8.2cm
Quantity Per Outer Carton	20
Bar Code EAN Number	5052544081224
Packaged Weight	0.39kg

Standards & Approvals

Listings	CE
Listings	Fire Rating
Manufactured In Accordance To	BS EN 60598:2015, 2-1, 2-2
CE Marked	Yes
Batch Coded	Yes
WEEE Symbol	Yes
Certificate Of Conformity	Yes: available on request.
Accredited Members	LIA, ISO9001:20015, ISO14001:2015

JCC Lighting

Innovation Centre, Beeding Close, Southern Cross
Trading Estate, Bognor Regis, West Sussex, PO22 9TS
Company Registration Number: 03044848 | VAT Number: 918544112
T: 01243 838999 | F: 01243 838998 | sales@jcc.co.uk | www.jcc.co.uk



Datasheet generated from <https://www.electrika.cloud> on 07 September 2018 14:05:39

JCC Lighting

Innovation Centre, Beeding Close, Southern Cross
Trading Estate, Bognor Regis, West Sussex, PO22 9TS
Company Registration Number: 03044848 | VAT Number: 918544112
T: 01243 838999 | F: 01243 838998 | sales@jcc.co.uk | www.jcc.co.uk