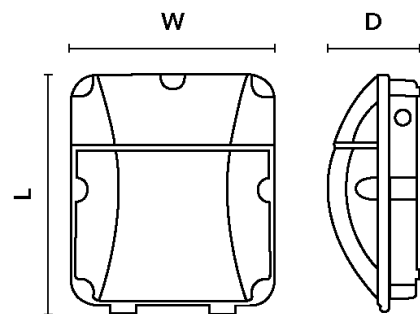


Amenity

Hurworth Wallpack 30W 3CCT Emergency Black

Tough Polycarbonate body and diffuser, Hinged front cover for quick and easy installation, LED lifespan 50,000 hours L70, Standard, Emergency and Dusk to Dawn options available, IK10 Impact rated



General Data

Technology	LED
Mounting options	Wall
Install Options	M20 Cable Gland
Electrical Connector Type	Screw Terminal
Input Cable	No
Input Electrical Connection	Live Neutral Earth P Live
General Application	Residential Commercial
Operating Temperature Range °C	0 + 30
Warranty (Years)	5

430196-M3

Technical Specification

Optical Data

LED Manufacturer / Type	MTC Lighting
Fixture Luminous Flux (Lm)	2328 2529 2394
Luminaire Efficacy @4000K (lm/W)	78
LOR %	100
Colour Selectable	Yes
Beam Angle°	120
Optics	Asymmetric
Photobiological Risk Group	RG0

Light Source Data

Energy Class	F
Colour Temperature (K)	3000 4000 6000
Light Colour	Warm Light Cool White Daylight
CRI Ra	80

Electrical Data

Wattage (W)	30
Total power consumption (W)	29.8
Mains voltage (V)	220 - 240
Lamp power factor	>90
Electrical protection	Class I
Driver Output (V)	30-42
Driver Output Current (mA)	800
Control Gear Type CC or CV	Constant Current
Dimmable	No
Driver Brand	Boke
Inrush Current (A)	14
Glow Wire Test (°C)	850
Nominal Frequency (Hz)	50/60
Surge Protection (kV)	2
Max. Luminaire per 10A C Breaker	62
Max. Luminaire per 13A C Breaker	80
Max. Luminaire per 16A C Breaker	99
Max. Luminaire per 20A C Breaker	123
Max. Luminaire per 10A B Breaker	37
Max. Luminaire per 13A B Breaker	48
Max. Luminaire per 16A B Breaker	59
Max. Luminaire per 20A B Breaker	74

430196-M3

Technical Specification

Lifetime Data

Lifespan L70 B50 @25°C (Hrs)	50000
-------------------------------------	-------

Emergency Data

Battery Type	LiFeP04
Battery Capacity (mAh)	3600mAh
Battery Warranty (Years)	1
Recharge Time (Hours)	24 Hours
Emergency Type	Maintained
Test Procedure	Manual
Emergency Duration (Hours)	3

Physical Data

Housing Colour	Black RAL 9005
Body Material	Diecast Aluminium
Driver Housing	Polycarbonate
IP Rating	65
IK Rating	10
Diffuser Material	Polycarbonate
Diffuser Finish	Frosted
Nominal Product Length (mm)	310
Nominal Product Width (mm)	265
Nominal Product Height (mm)	122
Weight (kg)	1.86

Standards and Approvals

Manufactured In Accordance To	EN 60598-1 EN60598-2-22
CE Mark	Yes
UKCA Mark	Yes
WEEE Symbol	Yes
Certificate of Conformity	Available on Request
Accredited Members	LIA, ISO9004