

## Enclosure KLIPPON K1

**Weidmüller Interface GmbH & Co. KG**  
 Klingenbergstraße 16  
 D-32758 Detmold  
 Germany  
 Fon: +49 5231 14-0  
 Fax: +49 5231 14-292083  
 www.weidmueller.com



For many years, the name Klippon® has stood for competence and quality in enclosures. The enclosures are ideal for turnkey customised solutions for standard industrial applications and for explosive-risk applications.

Improved products that meet all application requirements: this was Weidmüller's aim during the update of the Klippon® K housing series. Weidmüller delivers many types of aluminium enclosures; they are designed to fit precisely with a wide range of customer requirements and applications.

Our comprehensive product line provides the following advantages:

- Available in two different surfaces: natural and powder-coated (RAL 7001)
- Available normally with silicone or chloroprene gasket seal
- A uniform Torx-slotted screw head is used for over 19 different housing sizes.
- Mounting holes not within the sealed area
- High degree of protection: IP66, IP67 and IP68
- Impact resistance of up to 10 Joules
- The housings are certified by ATEX, GOST, GOST Ex, cULus, Russian Maritime Register, German Lloyd, as well as the empty housing standard.
- Alloy is resistant to salt water

- Standardised distributor housings with threaded holes and a variety of terminal configurations

### General ordering data

Type	KLIPPON K1
Order No.	<a href="#">0342000000</a>
Version	Enclosures, Aluminium AlSi12, 70 mm, 45 mm, 70 mm
GTIN (EAN)	4008190055448
Qty.	10 pc(s).

**Enclosure  
KLIPPON K1**

**Weidmüller Interface GmbH & Co. KG**  
 Klingenbergstraße 16  
 D-32758 Detmold  
 Germany  
 Fon: +49 5231 14-0  
 Fax: +49 5231 14-292083  
 www.weidmueller.com

**Technical data****Dimensions and weights**

Length	45 mm	Width	70 mm
Height	70 mm	Mounting dimension - width	58 mm
Mounting dimension - height	42 mm	Weight	220 g
Net weight	247.5 g		

**Cable glands, left**

M12 (3)	1	M16 (3)	1
---------	---	---------	---

**Cable glands, right**

M12 (2)	1	M16 (2)	1
Side of enclosure	left, right		

**Cable glands, top/bottom**

M12	2	M16	2
M20	1	Side of enclosure	left, right

**General information**

Areas of use	Process industry, Transportation, Marine engineering, Packaging industry, Harbour facilities, Machine construction	Material	Aluminium AlSi12
Seal material	Neoprene	Surface finish	untreated
Operating temperature, min.	-40 °C	Operating temperature, max.	85 °C
Impact resistance	10.00 J	Protection degree	IP 66, IP 67, IP 68
Note: protection class	IP68 (t=72h, h=1m)	Enclosure attachment	Holes 4 mm
Cover attachment	M4 torx stainless steel screws with slot	Integral fixing	Threaded holes M3

**horizontal assembly**

WDU 2,5 ZDU 2,5 IDU 2,5	1x5	WDU 4 ZDU 4	1x1*
-------------------------	-----	-------------	------

**vertical assembly**

WDU 2,5 ZDU 2,5 IDU 2,5 (2)	1x1*	WDU 4 ZDU 4 (2)	1x1*
-----------------------------	------	-----------------	------

**Classifications**

ETIM 2.0	EC000058	ETIM 3.0	EC000058
UNSPSC	31-26-15-02	eClass 4.1	27-14-12-06
eClass 5.1	27-14-91-07	eClass 6.2	27-14-91-07
eClass 7.1	27-14-91-07		

**Test certificates**

Certificate No. (GERMLLOYD)	44536-07	Certificate no. (cULus)	E197061VOL2SEC1
-----------------------------	----------	-------------------------	-----------------

**Enclosure  
KLIPPON K1**

**Weidmüller Interface GmbH & Co. KG**  
 Klingenbergstraße 16  
 D-32758 Detmold  
 Germany  
 Fon: +49 5231 14-0  
 Fax: +49 5231 14-292083  
 www.weidmueller.com

**Technical data**

**Product information**

Descriptive text ordering data	The colours of painted enclosures may vary under certain circumstances. **Delivery time available on request.
Descriptive text technical data	*Please refer to the Terminal Block Catalogue or the SAK Series for more information about populating the enclosures with terminal blocks. For vertical installations, we recommend using not more than one BK 4 or BK 4 CRN (0625 120000). For horizontal installations with 2.5mm <sup>2</sup> 1x5 AKZ terminal blocks (only possible on a TS 15) for 4mm <sup>2</sup> , use not more than one BK 4. There are no pre-defined mounting points set within this enclosure for installing internal equipment in a vertical position.
Descriptive text accessories	The accessory sets contain the necessary mounting material.

**Approvals**

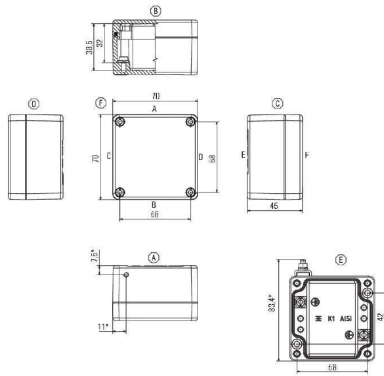
Approvals



ROHS Conform

**Enclosure  
KLIPPON K1**

**Weidmüller Interface GmbH & Co. KG**  
Klingenbergstraße 16  
D-32758 Detmold  
Germany  
Fon: +49 5231 14-0  
Fax: +49 5231 14-292083  
www.weidmueller.com

**Drawings**

XX\* nur für 6E28840000