

MB9 - MALLEABLE CONDUIT BOX

Description :

MB9G / B - 25mm Through Malleable Conduit Box

Finish :

Galvanised (G) or Black Enamel (B)

Material :

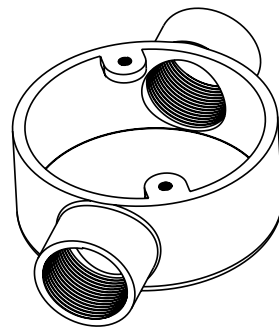
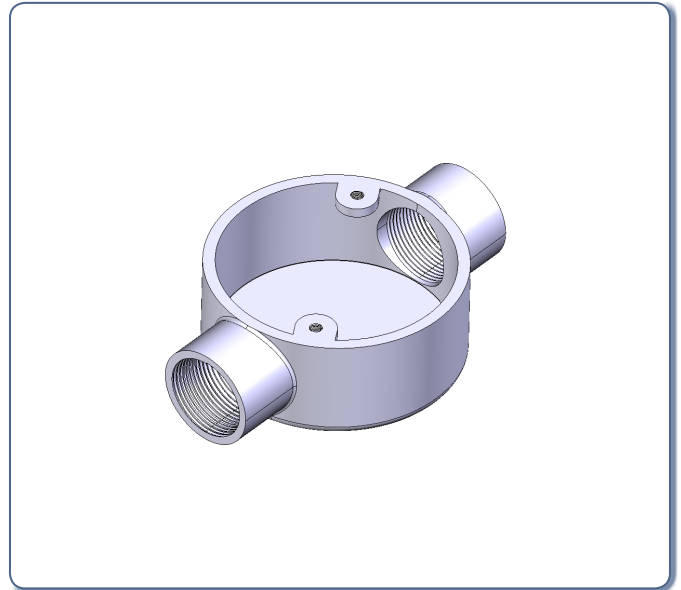
Malleable Iron

Packaging :

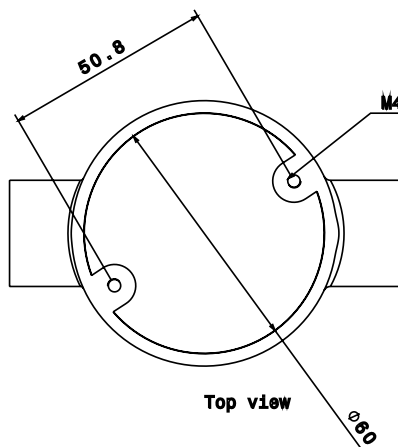
Packed in qty 10

Additional Notes :

Compliant to LU Standard 1-085
(For use on surface & sub-surface locations)

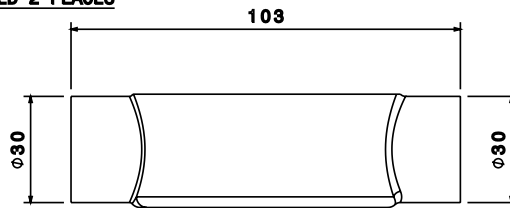


Isometric view



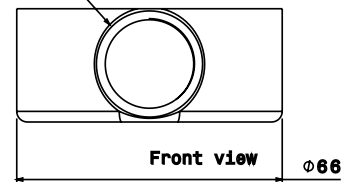
Top view

M4 TAPPED 2 PLACES



Side view

M25 CONDUIT THREAD x16MM DEEP



Front view

Ø66

All Dimensions in mm (unless otherwise stated)

© Metpro Ltd 2015 - This Document is provided for Information Purposes Only and is Subject to Change Without Notice. Metpro Ltd makes No Warranty, express or implied, with this Document or the Information contained within.

Tel : 0121 552 2100 - Fax : 0121 552 3363 - Email : sales@metpro.co.uk