

inceptor[®]
max

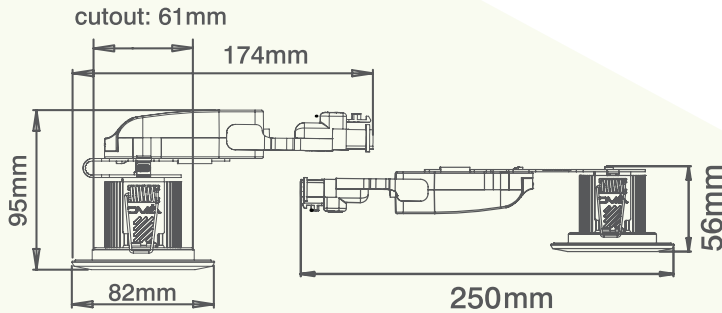


INTEGRATED LED DOWNLIGHT
IP65 FIRE & ACOUSTIC RATED WITH FLEXI-DRIVER



The Inceptor Max range of downlights are covered by a 10 year warranty.*
 Only valid once registered online at www.scolmore.com

*Only available for domestic use. A 5 year commercial warranty is also available at the above address.



General Information				
Dimmable/Non-Dimmable	Non-Dimmable		Dimmable	
LED Colour Temperatures available	2700K (Warm)	4000K (Cool)	2700K (Warm)	4000K (Cool)
Finish Colours Available	White, Chrome & Satin Chrome			
Material Composition	Steel, Aluminium, ABS, Nylon & Polycarbonate			
Cut-Out	61-71mm			
Ceiling Thickness	5-36mm			
Ceiling Void depth	61mm+			
Dimensions	Height (closed) 95mm (open) 56mm, diameter 82mm, length 174mm (closed)			
Warranty	Registered: 10 Years Domestic – 5 Years Commercial. Unregistered 1 Year			
Weight	0.34Kg		0.34Kg	
Light Output Information				
Beam Angle	35°		35°	
CRI	80		80	
LED Lifetime (L70)	84,000 hours		84,000 hours	
Luminous Flux	500lm (lumens)	550lm (lumens)	500lm (lumens)	550lm (lumens)
Output Wattage	8W		8.5W	
Luminous Efficacy	65 lm/W	70 lm/W	60 lm/W	65 lm/W
Power Factor	0.9		0.85	
Driver Information				
Connection	Integrated Flow* Connector			
Input	200-240V / 8W max (non-dimmable) 8.5W max (dimmmable)*			
Output	180mA / 37V			
Critical Temperature	70°C			
Part L1 Compliancy (as of 2014)	Yes		Yes	
Part L2 Compliancy (as of 2014)	Yes		Yes	
Regulation Ratings				
Fire Rating	30, 60 & 90 minute			
Ingress Protection	IP65 (Zone 1)			
Acoustic Rating	0dB (zero impact on sound insulation)			
Air Flow	BS 5250: 2011 compliant			

* Dimmable version suitable for use with selected dimmers only.
 Please see our website or contact the technical department on 01827 63454.

INTEGRATED LED DOWNLIGHT

IP65 FIRE & ACOUSTIC RATED WITH FLEXI-DRIVER

inceptor[®]
max

Features

- 550lm output (4000K)
- Up to 70 lm/W
- Integrated LED driver
- Flow™ connector
- High efficiency
- Flexi-driver mount
- Intumescent collar (FlameGuard)
- IP65
- Various finishes
- 35° beam angle
- Adaptable cut-out
- Double insulated
- Low-energy
- Fire, air-flow and acoustic rated
- Solid, cast zinc bezels

Benefits

- Straight to mains
- One quick, easy connection
- Part L1 & Part L2 compliance
- Easy install into shallow ceiling void
- Added fire-protection
- Suitable for bathrooms / wet-rooms
- To suit any installation
- Fits 61-71mm cut-out
- No Earth required
- Cost saving against traditional lamps
- Complies with current building regulations & robust details
- 5 & 10 year guarantee (extended)
- Part B, P, E, C, L compliant



Inceptor Max IP65 Fixed Downlight, Fire & Acoustic Rated Pre-Wired with Driver (non-dimmable) and Flow Connector

LED4500CH8W	240V 8W Integrated LED - Warm White	Chrome Bezel
LED4500SC8W	240V 8W Integrated LED - Warm White	Satin Chrome Bezel
LED4500WH8W	240V 8W Integrated LED - Warm White	White Bezel
LED4500CH8C	240V 8W Integrated LED - Cool White	Chrome Bezel
LED4500SC8C	240V 8W Integrated LED - Cool White	Satin Chrome Bezel
LED4500WH8C	240V 8W Integrated LED - Cool White	White Bezel

Inceptor Adapter Plates

Converter Plate 130mm Diameter
(for ceiling cut outs up to 120mm)

SP4120WH	White Bezel
SP4120CH	Chrome Bezel
SP4120SC	Satin Chrome Bezel

Inceptor Max IP65 Fixed Downlight, Fire & Acoustic Rated Pre-Wired with Dimmable Driver and Flow Connector

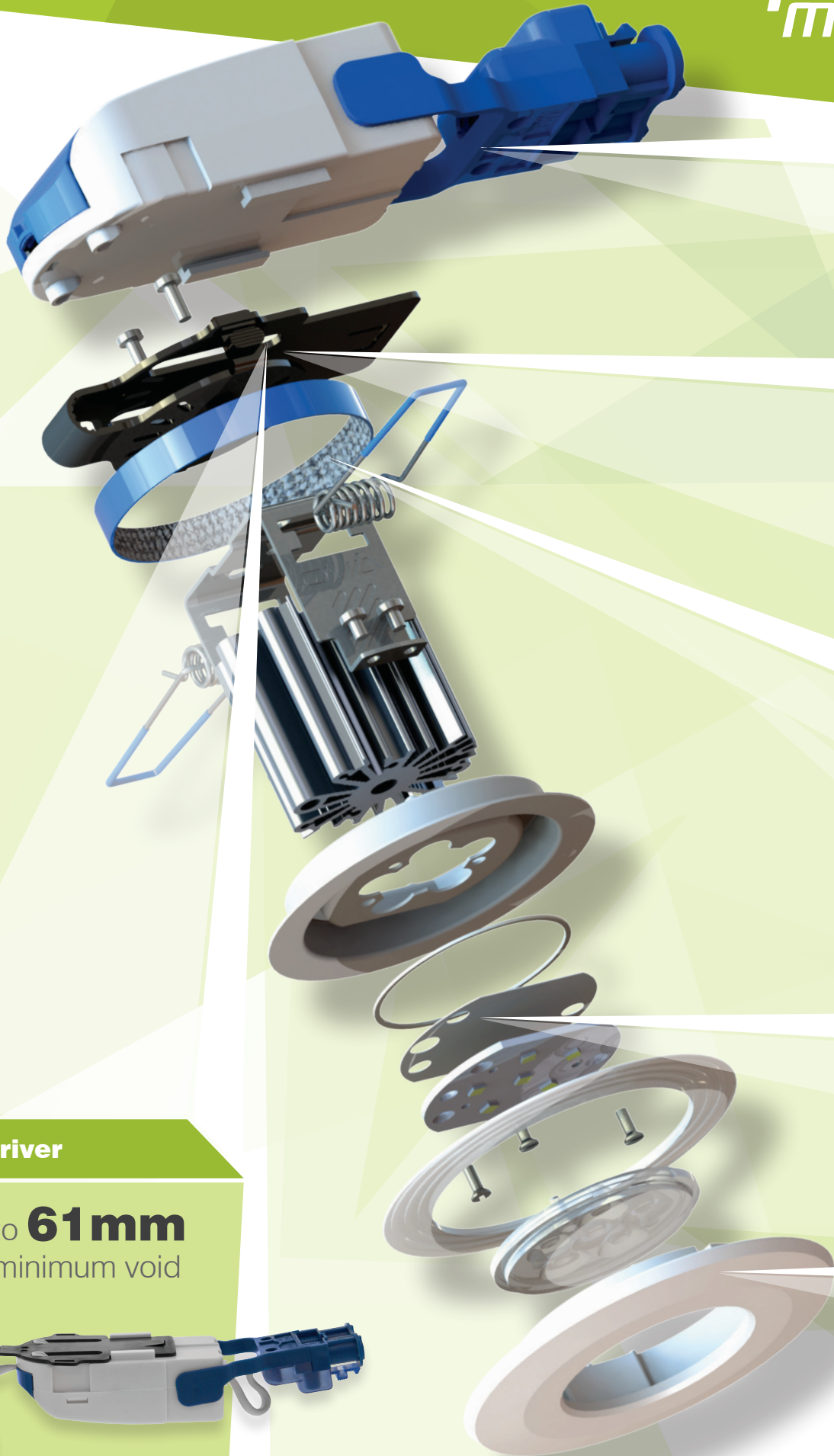
LED4500CH8WD	240V 8.5W Integrated Dimmable LED - Warm White	Chrome Bezel
LED4500SC8WD	240V 8.5W Integrated Dimmable LED - Warm White	Satin Chrome Bezel
LED4500WH8WD	240V 8.5W Integrated Dimmable LED - Warm White	White Bezel
LED4500CH8CD	240V 8.5W Integrated Dimmable LED - Cool White	Chrome Bezel
LED4500SC8CD	240V 8.5W Integrated Dimmable LED - Cool White	Satin Chrome Bezel
LED4500WH8CD	240V 8.5W Integrated Dimmable LED - Cool White	White Bezel



Dimmable version suitable for use with selected dimmers only.

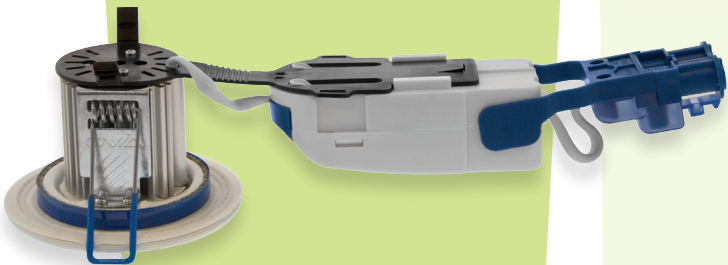
Please see our website or contact the technical department on 01827 63454.

inceptor[®]
max



Flexi-Driver

Fits Into **61 mm**
deep minimum void



Features & Benefits

Integrated *flow*™ Connector

Integrated *flow*™ Connector - For quick connection and removal. Use with the Click Flow range of connectors, pre-wired cables and Hub (CT300).



CT101F supplied

Flexible Driver mount

Allows the driver to be “flipped” over which allows the product to be fitted into a shallower ceiling void. There is an additional benefit to this ability... For those who have concerns about using the product in particularly warm environments; having the product fitted in its standard orientation (driver on top) heat from the LED could contribute to the temperature of the driver and in particularly warm installations this may lead to decreased driver life. However, if you flip the driver over so it's mounted beside the product, the heat that rises up from the LED's no longer rises to heat the driver, therefore protecting the life of the driver.

Intumescent Strip

Our trademark blue strip of intumescent adds an extra barrier of protection against fire by expanding to fill the gap between plasterboard and light fitting.

SMD LED Technology

SMD LED's require lower current and create less heat than standard LEDs, perfect when space is at a premium.

Cast Zinc Bezel

Cast Zinc for a professional appearance and plated or painted in our most popular colours: White, Chrome & Satin Chrome.

*** Dimmable version suitable for use with selected dimmers only.**
Please see our website or contact the technical department on 01827 63454.

United Kingdom

Scolmore
GROUP

Scolmore Park, Landsberg,
Lichfield Road Industrial Estate,
Tamworth, Staffordshire
B79 7XB United Kingdom

T: +44 (0)1827 63454
F: +44 (0)1827 63362
E: sales@scolmore.com

www.scolmore.com

Southern Ireland

CLICK Litehouse

18 Corrig Road,
Sandyford,
Dublin 18,
Ireland

T: +353 (1) 2811 122
F: +353 (1) 2811 224
E: sales@clicklighthouse.ie

www.clicklighthouse.ie