



Quarter Turn Ball Valves Range

Conex Bänninger Quarter Turn Ball Valves

Conex Bänninger Quarter Turn Ball Valves are compact, easy and quick to operate. Requiring only a quarter turn to open or close the valve, they are available with either lever, or 'T' handles. Variants are available for gas and water applications. Conex Bänninger Ball Valves are full bore valves comprising an oversized ball so that the hole in the center is the same diameter as the pipeline, which results in low friction losses and flow rates similar to that of the pipe.

Durable and reliable

Ball Valves are durable and extremely reliable in use. The Conex Bänninger Quarter Turn Ball Valves can be opened and closed quickly. This makes them the preferred choice for isolation applications where the system needs to be shut-off quickly or the valves are used frequently.

Materials

Conex Bänninger Quarter Turn Ball Valves are available in high quality chrome plated brass and DZR brass and have an excellent resistance to corrosion. Additionally, all the valves in the range have a chrome-plated ball.

Applications

Conex Bänninger DZR Valves are designed for use in HEVAC applications including low temperature hot water and chilled systems, whilst the brass ball valves have been designed for drinking water.

Quality assurance

Conex Universal Ltd is an ISO 9001 Quality Assured Company registered with BSI.

5-year warranty

When professionally fitted and in accordance with the installation instructions, Conex Banninger Valves are guaranteed against manufacturing defects for five years from first purchase date. Any alleged defects must be reported to Conex Universal Ltd within one month of the first occurrence, clearly setting out the nature of the claim. The warranty is limited to the repair and replacement of defective fittings at the discretion of Conex Universal Ltd and the company reserves the right to inspect and test the alleged defects. This warranty provided by Conex Universal Ltd does not affect your statutory rights. For more information visit www.conexbanninger.com.

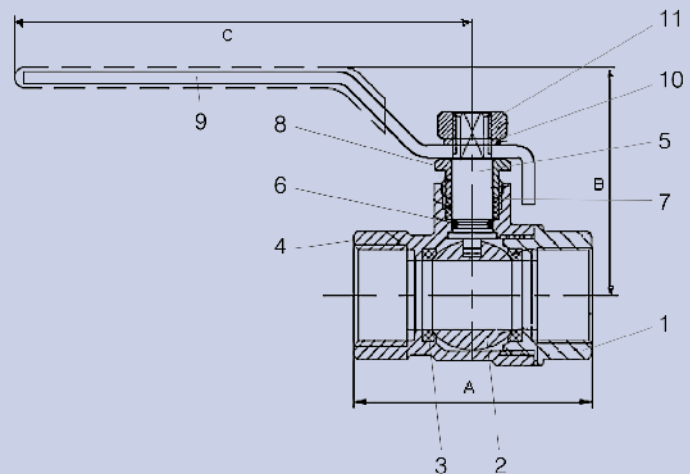
General information

Performance data, including pressure - temperature ratings have been developed from published standards, supplier material specifications, design calculations and in-house testing. They cover typical applications for the Conex Bänninger Valve product range and are provided as a general guideline.

For specific applications, users are advised to contact Conex Universal Ltd for technical advice. Failure to follow advised installation instructions may result in damage and personal injury for which Conex Universal Ltd cannot be held liable.

Contents

1200 Quarter Turn Ball Valve - PN25 - (DZR) - Red Lever	1
1205 Quarter Turn Ball Valve - PN25 - (DZR) - Red Tee	3
1210 Quarter Turn Ball Valve - PN40 - (Brass Chrome Plated) - Red Lever	5
1215 Quarter Turn Ball Valve - PN40 - (Brass Chrome Plated) - Red Tee	7
1220 Quarter Turn Ball Valve - PN40 - (DZR) - Red Lever	9
1225 Quarter Turn Ball Valve - PN40 - (DZR) - Red Tee	11
1230 Quarter Turn Ball Valve - PN25 - (Brass Chrome Plated) - Red Lever	13
1231 Quarter Turn Ball Valve - M x F - PN25 - (Brass Chrome Plated) - Red Lever	15
1232 Quarter Turn Ball Valve - M x M - PN25 - (Brass Chrome Plated) - Red Lever	17
1235 Quarter Turn Ball Valve - PN25 - (Brass Chrome Plated) - Red Tee	19
1256 Quarter Turn Ball Valve - PN16 - (DZR) - Hose Union Drain Tap	21
1260 Quarter Turn Ball Valve - PN25 - (Brass Chrome Plated) - Red Lever - Short Thread Series	23
1265 Quarter Turn Ball Valve - PN25 - (Brass Chrome Plated) - Red Tee - Short Thread Series	25



Valves range

1200 Quarter Turn Ball Valve - PN25 - (DZR) - Red Lever

Material specification

Lever Handle Version: 1200 - 1/2" - 2"

No	Component	Material	Specification
1	End Connector	DZR Brass	EN 12165 CW602N
2	Ball	Brass - Chrome Plate	EN 12165 CW617N - DW
3	Ball Seal	PTFE	PTFE
4	Body	DZR Brass	EN 12165 CW602N
5	Stem	DZR Brass	EN 12164 CW602N
6	Stem O-ring	EPDM	EN 2430:1995
7	Gland	PTFE	PTFE
8	Packing Nut	Brass	EN 12164 CW617N - DW
9	Lever Handle	Steel	EN 24T + Polyethylene HD
10	Washer	Stainless Steel	ISO.15510
11	Lever Nut	Stainless Steel	ISO.15510

Features and benefits:

- Full bore Quarter Turn Ball Valve.
- Blow out proof stem.
- Full DZR construction.
- End connections, female taper threads to EN 10226-2 (ISO 7-1).
- WRAS approved for drinking water applications.
- Suitable for low temperature hot water and chilled systems.
- Unique Conex Bänninger lever handle.

Ball Valve - 1200								
Order Code	Size	DN	A	B	C	Kv Value	Weight (kg)	Lever Handle EN 10226-2 (ISO 7-1) thread
120050RRR250404	1/2"	15	55	48	95	16	0.208	
120050RRR250606	3/4"	20	65	52	95	30	0.332	
120050RRR250808	1"	25	78	65	130	48	0.602	
120050RRR251010	1 1/4"	32	91	69	130	100	0.927	
120050RRR251212	1 1/2"	40	99	80	160	170	1.362	
120050RRR251616	2"	50	119	88	160	230	2.224	

Valve suitability

Product	Steam	Water	Drinking Water	Oil	Air (Oil Free)	Gas (Inert)	Gas (Combustible)	Gas (Corrosive)	Gas (Oxygen)
1200	x	✓	✓	✓	✓	x	x	x	x

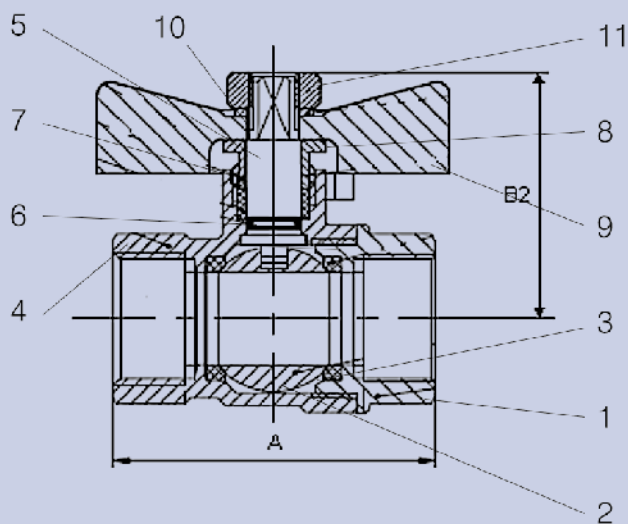
This valve is not suitable for gas applications.

Max. working parameters

1200	Temperature °C	Pressure bar	Pressure psi
Water	-10 to +120	25	360

Specification clauses:

- Lever operated quarter turn, tight shut-off.
- DZR brass body, stem and end connector.
- Chrome plated brass ball.
- PTFE seats and stem gland seal.
- End connections, female taper threads to EN 10226-2 (ISO 7-1).
- WRAS approved for drinking water applications.
- EPDM Stem O-ring.
- Suitable for low temperature hot water and chilled systems.



Valves range

1205 Quarter Turn Ball Valve - PN25 - (DZR) - Red Tee

Material specification

Tee Handle Version: 1205 - 1/2" - 1"

No	Component	Material	Specification
1	End Connector	DZR Brass	EN 12165 CW602N
2	Ball	Brass - Chrome Plate	EN 12165 CW617N-DW
3	Ball Seal	PTFE	PTFE
4	Body	DZR Brass	EN 12165 CW602N
5	Stem	DZR Brass	EN 12164 CW602N
6	Stem O-ring	EPDM	EN 2430:1995
7	Gland	PTFE	PTFE
8	Packing Nut	Brass	EN 12164 CW617N-DW
9	Tee Handle	Aluminium	EN 1706 LM6
10	Washer	Stainless Steel	ISO.15510
11	Lever Nut	Stainless Steel	ISO.15510

Features and benefits:

- Full bore Quarter Turn Ball Valve.
- Blow out proof stem.
- Full DZR construction.
- End connections, female taper threads to EN 10226-2 (ISO 7-1).
- WRAS approved for drinking water applications.
- Suitable for low temperature hot water and chilled systems.

Ball Valve - 1205							
Tee Handle Order Code	Size	DN	A	B	Kv Value	Weight (kg)	
EN 10226-2 (ISO 7-1) thread							
120550RRT250404	1/2"	15	55	38	16	0.187	
120550RRT250606	3/4"	20	65	42	30	0.332	
120550RRT250808	1"	25	78	50	48	0.590	

Valve suitability

Product	Steam	Water	Drinking Water	Oil	Air (Oil Free)	Gas (Inert)	Gas (Combustible)	Gas (Corrosive)	Gas (Oxygen)
1205	x	✓	✓	✓	✓	x	x	x	x

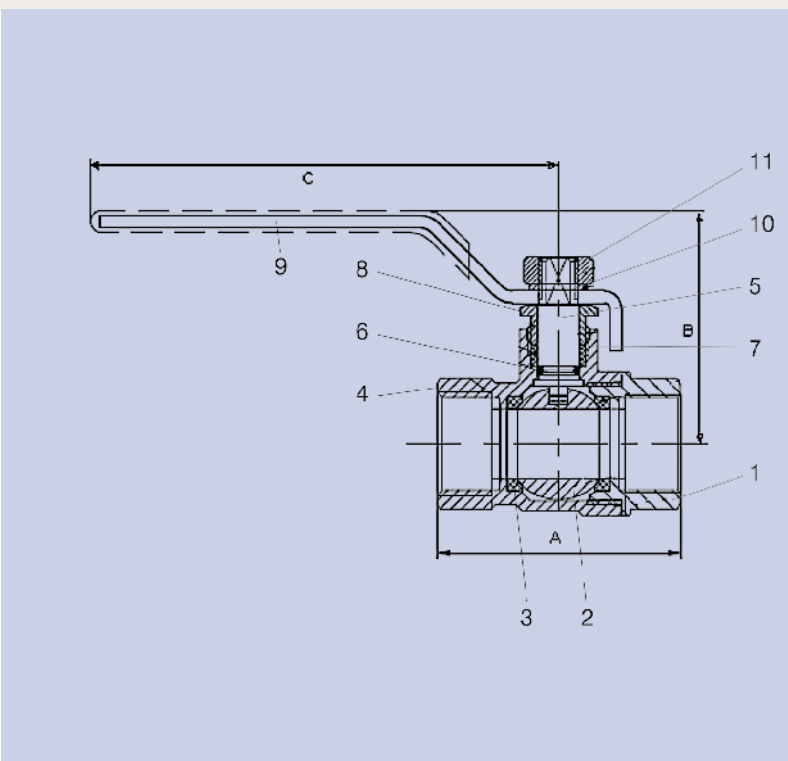
This valve is not suitable for gas applications.

Max. working parameters

1205	Temperature °C	Pressure bar	Pressure psi
Water	-10 to +120	25	360

Specification clauses:

- Tee operated quarter turn, tight shut-off.
- DZR brass body, stem and end connector.
- Chrome plated brass ball.
- PTFE seats and stem gland seal.
- EPDM stem O-ring.
- End connections, female taper threads to EN 10226-2 (ISO 7-1).
- WRAS approved for drinking water applications.
- Suitable for low temperature hot water and chilled systems.



Valves range

1210 Quarter Turn Ball Valve - PN40 - (Brass Chrome Plated) - Red Lever

Material specification

Lever Handle Version: 1210 - 1/2" - 2"

No	Component	Material	Specification
1	End Connector	Brass – Chrome Plate	EN 12165 CW617N - DW
2	Ball	Brass - Chrome Plate	EN 12165 CW617N - DW
3	Ball Seal	PTFE	PTFE
4	Body	Brass – Chrome Plate	EN 12165 CW617N - DW
5	Stem	Brass	EN 12164 CW617N - DW
6	Stem O-ring	EPDM	EN 2430:1995
7	Gland	PTFE	PTFE
8	Packing Nut	Brass	EN 12164 CW617N - DW
9	Lever Handle	Steel	EN 24T + Polyethylene HD
10	Washer	Stainless Steel	ISO.15510
11	Lever Nut	Stainless Steel	ISO.15510

Features and benefits:

- Full bore Quarter Turn Ball Valve.
- Blow out proof stem.
- End connections, female taper threads to EN 10226-2 (ISO 7-1).
- WRAS approved for drinking water applications.
- Unique Conex Bänninger lever handle.

Ball Valve - 1210								
Lever Handle Order Code EN 10226-2 (ISO 7-1) thread	Size	DN	A	B	C	kv Value	Weight (kg)	
121013RRR400404	1/2"	15	55	48	95	16	0.226	
121013RRR400606	3/4"	20	65	52	95	30	0.400	
121013RRR400808	1"	25	78	65	130	48	0.648	
121013RRR401010	1 1/4"	32	91	69	130	100	0.976	
121013RRR401212	1 1/2"	40	99	80	160	170	1.430	
121010RRR401616	2"	50	119	88	160	230	2.450	

Valve suitability

Product	Steam	Water	Drinking Water	Oil	Air (Oil Free)	Gas (Inert)	Gas (Combustible)	Gas (Corrosive)	Gas (Oxygen)
1210	x	✓	✓	✓	✓	x	x	x	x

This valve is not suitable for gas applications.

Max. working parameters

1210	Temperature °C	Pressure bar	Pressure psi
Water	-10 to +120	40	580

Specification clauses:

Lever operated quarter turn, tight shut-off.

Brass body, stem and cap.

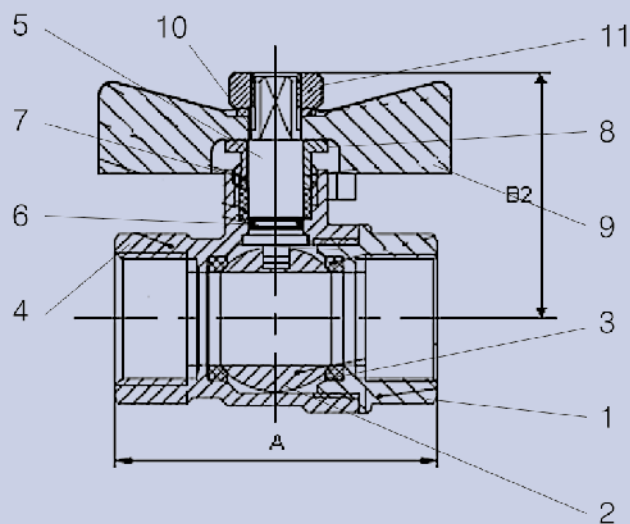
Chrome plated brass ball, body and end connector.

PTFE seats and stem gland seal.

EPDM stem O-ring.

End connections, female taper threads to EN 10226-2 (ISO 7-1).

WRAS approved for drinking water applications.



Valves range

1215 Quarter Turn Ball Valve - PN40 - (Brass Chrome Plated) - Red Tee

Material specification

Tee Handle Version: 1215 - 1/2" - 1"

No	Component	Material	Specification
1	End Connector	Brass – Chrome Plate	EN 12165 CW617N - DW
2	Ball	Brass - Chrome Plate	EN 12165 CW617N - DW
3	Ball Seal	PTFE	PTFE
4	Body	Brass – Chrome Plate	EN 12165 CW617N - DW
5	Stem	Brass	EN 12164 CW617N - DW
6	Stem O-ring	EPDM	EN 2430:1995
7	Gland	PTFE	PTFE
8	Packing Nut	Brass	EN 12164 CW617N - DW
9	Tee Handle	Aluminium	EN 1706 LM6
10	Washer	Stainless Steel	ISO.15510
11	Lever Nut	Stainless Steel	ISO.15510

Features and benefits:

- Full bore Quarter Turn Ball Valve.
- Blow out proof stem.
- End connections, female taper threads to EN 10226-2 (ISO 7-1).
- WRAS approved for drinking water applications.

Ball Valve - 1215							
Order Code	Size	DN	A	B	Kv Value	Weight (kg)	Tee Handle
EN 10226-2 (ISO 7-1) thread							
121513RRT400404	1/2"	15	55	38	16	0.226	
121513RRT400606	3/4"	20	65	42	30	0.400	
121513RRT400808	1"	25	78	50	48	0.648	

Valve suitability

Product	Steam	Water	Drinking Water	Oil	Air (Oil Free)	Gas (Inert)	Gas (Combustible)	Gas (Corrosive)	Gas (Oxygen)
1215	x	✓	✓	✓	✓	x	x	x	x

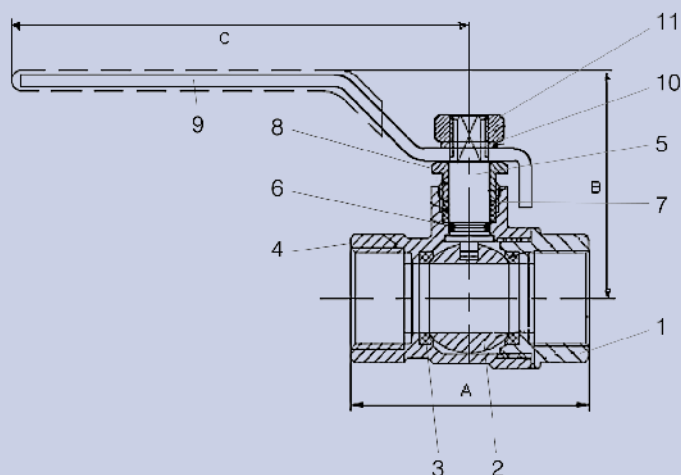
This valve is not suitable for gas applications.

Max. working parameters

1215	Temperature °C	Pressure bar	Pressure psi
Water	-10 to +120	40	580

Specification clauses:

- Tee operated quarter turn, tight shut-off.
- Chrome plated brass ball, body and end connector.
- Brass, stem.
- PTFE seats and stem gland seal.
- EPDM stem O-ring.
- End connections, female taper threads to EN 10226-2 (ISO 7-1).
- WRAS approved for drinking water applications.



Valves range

1220 Quarter Turn Ball Valve - PN40 - (DZR) - Red Lever

Material specification

Lever Handle Version: 1220 - 1/2" - 2"

No	Component	Material	Specification
1	End Connector	DZR Brass	EN 12165 CW602N
2	Ball	Brass - Chrome Plate	EN 12165 CW617N - DW
3	Ball Seal	PTFE	PTFE
4	Body	DZR Brass	EN 12165 CW602N
5	Stem	DZR Brass	EN 12164 CW602N
6	Stem O-ring	EPDM	EN 2430:1995
7	Gland	PTFE	PTFE
8	Packing Nut	Brass	EN 12164 CW617N - DW
9	Lever Handle	Steel	EN 24T + Polyethylene HD
10	Washer	Stainless Steel	ISO.15510
11	Lever Nut	Stainless Steel	ISO.15510

Features and benefits:

- Full bore Quarter Turn Ball Valve.
- Blow out proof stem.
- Full DZR construction.
- End connections, female threads to EN 10226-2 (ISO 7-1).
- WRAS approved for drinking water applications.
- Suitable for low temperature hot water and chilled systems.
- Unique Conex Bänninger lever handle.

Ball Valve - 1220								
Lever Handle Order Code EN 10226-2 (ISO 7-1) thread	Size	DN	A	B	C	Kv Value	Weight (kg)	
122050RRR400404	1/2"	15	55	48	95	16	0.226	
122050RRR400606	3/4"	20	65	52	95	30	0.360	
122050RRR400808	1"	25	78	65	130	48	0.648	
122050RRR401010	1 1/4"	32	91	69	130	100	0.976	
122050RRR401212	1 1/2"	40	99	80	160	170	1.430	
122050RRR401616	2"	50	119	88	160	230	2.050	

Valve suitability

Product	Steam	Water	Drinking Water	Oil	Air (Oil Free)	Gas (Inert)	Gas (Combustible)	Gas (Corrosive)	Gas (Oxygen)
1220	x	✓	✓	✓	✓	x	x	x	x

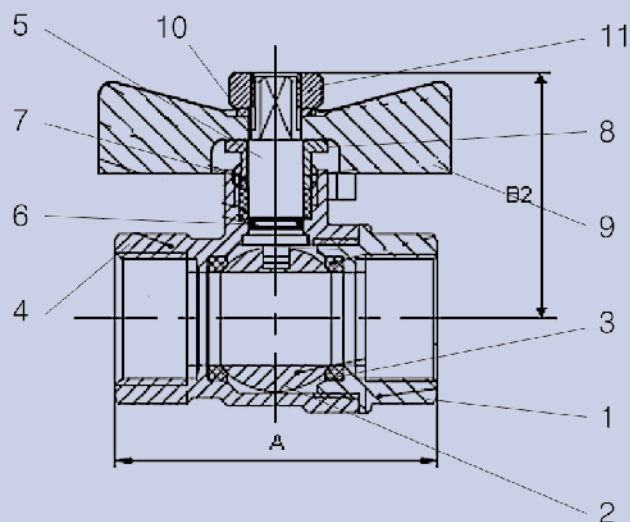
This valve is not suitable for gas applications.

Max. working parameters

1220	Temperature °C	Pressure bar	Pressure psi
Water	-10 to +120	40	580

Specification clauses:

- Lever operated quarter turn, tight shut-off.
- DZR brass body, stem and cap.
- Chrome plated brass ball.
- PTFE seats and stem gland seal.
- EPDM stem O-ring.
- End connections, female taper threads to EN 10226-2 (ISO 7-1).
- WRAS approved for drinking water applications.
- Suitable for low temperature hot water and chilled systems.



Valves range

1225 Quarter Turn Ball Valve - PN40 - (DZR) - Red Tee

Material specification

Tee Handle Version: 1225 - 1/2" - 1"

No	Component	Material	Specification
1	End Connector	DZR Brass	EN 12165 CW602N
2	Ball	Brass - Chrome Plate	EN 12165 CW617N-DW
3	Ball Seal	PTFE	PTFE
4	Body	DZR Brass	EN 12165 CW602N
5	Stem	DZR Brass	EN 12164 CW602N
6	Stem O-ring	EPDM	EN 2430:1995
7	Gland	PTFE	PTFE
8	Packing Nut	Brass	EN 12164 CW617N-DW
9	Tee Handle	Aluminium	EN 1706 LM6
10	Washer	Stainless Steel	ISO.15510
11	Lever Nut	Stainless Steel	ISO.15510

Features and benefits:

- Full bore Quarter Turn Ball Valve.
- Blow out proof stem.
- Full DZR construction.
- End connections, female taper threads to EN 10226-2 (ISO 7-1).
- WRAS approved for drinking water applications.
- Suitable for low temperature hot water and chilled systems.

Ball Valve - 1225							
Tee Handle Order Code	Size	DN	A	B	Kv Value	Weight (kg)	
EN 10226-2 (ISO 7-1) thread							
122550RRT400404	1/2"	15	55	38	16	0.210	
122550RRT400606	3/4"	20	65	42	30	0.342	
122550RRT400808	1"	25	78	50	48	0.648	

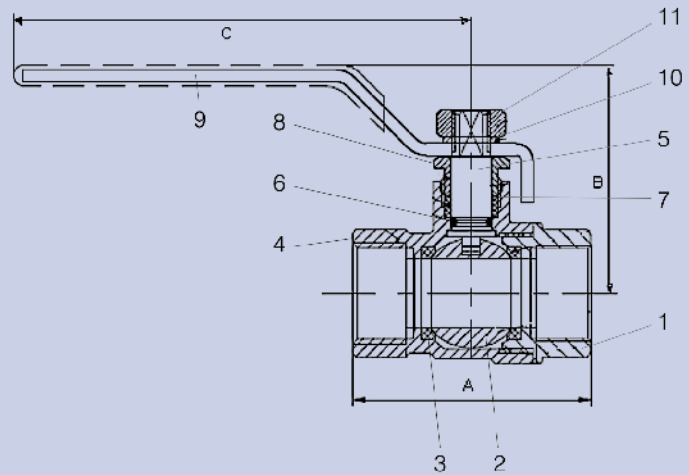
Valve suitability									
Product	Steam	Water	Drinking Water	Oil	Air (Oil Free)	Gas (Inert)	Gas (Combustible)	Gas (Corrosive)	Gas (Oxygen)
1225	x	✓	✓	✓	✓	x	x	x	x

This valve is not suitable for gas applications.

Max. working parameters			
1225	Temperature °C	Pressure bar	Pressure psi
Water	-10 to +120	40	580

Specification clauses:

- Tee operated quarter turn, tight shut-off.
- DZR brass body, stem and cap.
- Chrome plated brass ball.
- PTFE seats and stem gland seal.
- EPDM stem O-ring.
- End connections, female taper threads to EN 10226-2 (ISO 7-1).
- WRAS approved for drinking water applications.
- Suitable for low temperature hot water and chilled water systems.



Valves range

1230 Quarter Turn Ball Valve - PN25 - (Brass Chrome Plated) - Red Lever

Material specification

Lever Handle Version: 1230 - 1/2" - 2"

No	Component	Material	Specification
1	End Connector	Brass - Chrome Plate	EN 12165 CW617N - DW
2	Ball	Brass - Chrome Plate	EN 12165 CW617N - DW
3	Ball Seal	PTFE	PTFE
4	Body	Brass - Chrome Plate	EN 12165 CW617N - DW
5	Stem	Brass	EN 12164 CW617N - DW
6	Stem O-ring	EPDM	EN 2430:1995
7	Gland	PTFE	PTFE
8	Packing Nut	Brass	EN 12164 CW617N - DW
9	Lever Handle	Steel	EN 24T + Polyethylene HD
10	Washer	Stainless Steel	ISO.15510
11	Lever Nut	Stainless Steel	ISO.15510

Features and benefits:

- Full bore Quarter Turn Ball Valve.
- Blow out proof stem.
- End connections, female taper threads to EN 10226-2 (ISO 7-1).
- Designed in accordance with WRAS requirements.
- Unique Conex Bänninger lever handle.

Ball Valve - 1230								
Order Code	Size	DN	A	B	C	Kv Value	Weight (kg)	
EN 10226-2 (ISO 7-1) thread								
123013RRR250404	1/2"	15	55	48	95	16	0.207	
123013RRR250606	3/4"	20	65	52	95	30	0.333	
123013RRR250808	1"	25	78	65	130	48	0.602	
123013RRR251010	1 1/4"	32	91	69	130	100	0.927	
123013RRR251212	1 1/2"	40	99	80	160	170	1.369	
123013RRR251616	2"	50	119	88	160	230	2.225	

Valve suitability

Product	Steam	Water	Drinking Water	Oil	Air (Oil Free)	Gas (Inert)	Gas (Combustible)	Gas (Corrosive)	Gas (Oxygen)
1230	x	✓	✓	✓	✓	x	x	x	x

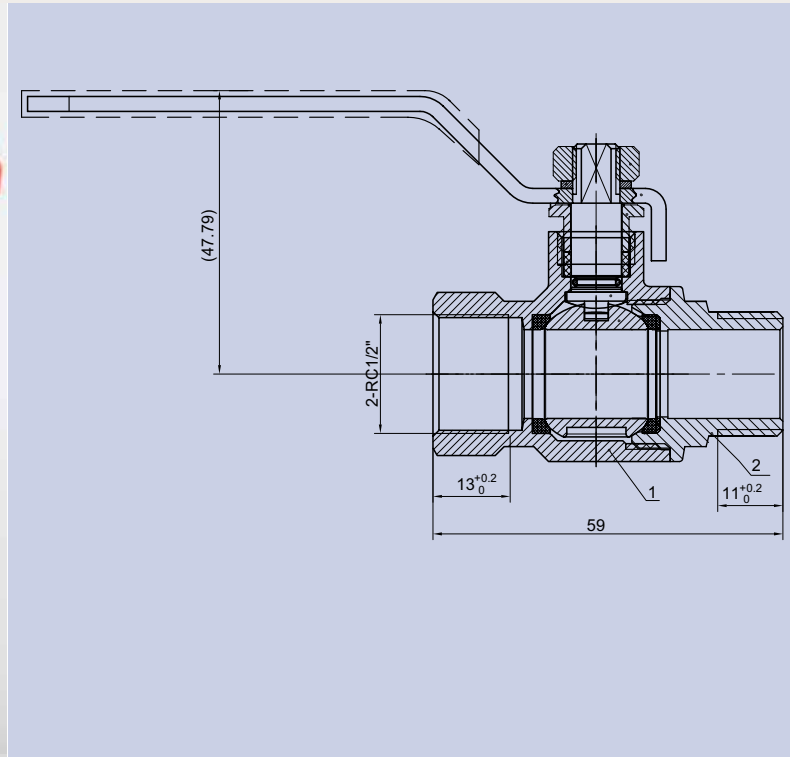
This valve is not suitable for gas applications.

Max. working parameters

1230	Temperature °C	Pressure bar	Pressure psi
Water	-10 to +120	25	360

Specification clauses:

- Lever operated quarter turn, tight shut-off.
- Chrome plated brass ball, body and end connectors.
- Brass body, stem and cap.
- PTFE seats and stem gland seal.
- EPDM stem O-ring.
- End connections, female taper threads to EN 10226-2 (ISO 7-1).
- Designed in accordance with WRAS requirements.



Valves range

1231 Quarter Turn Ball Valve M x F - PN25 - (Brass Chrome Plated) - Red Lever

Material specification

Lever Handle Version: 1231 - 1/2" - 2"

No	Component	Material	Specification
1	End Connector	Brass - Chrome Plate	EN 12165 CW617N - DW
2	Ball	Brass - Chrome Plate	EN 12165 CW617N - DW
3	Ball Seal	PTFE	PTFE
4	Body	Brass - Chrome Plate	EN 12165 CW617N - DW
5	Stem	Brass	EN 12164 CW617N - DW
6	Stem O-ring	EPDM	EN 2430:1995
7	Gland	PTFE	PTFE
8	Packing Nut	Brass	EN 12164 CW617N - DW
9	Lever Handle	Steel	EN 24T + Polyethylene HD
10	Washer	Stainless Steel	ISO.15510
11	Lever Nut	Stainless Steel	ISO.15510

Features and benefits:

- Full bore Quarter Turn Ball Valve.
- Blow out proof stem.
- Male x female end connections, taper threads to EN 10226-2 (ISO 7-1).
- Designed in accordance with WRAS requirements.
- Unique Conex Bänninger lever handle.

Ball Valve - 1231

Lever Handle Order Code EN 10226-2 (ISO 7-1) thread	Size	DN	A	B	C	Kv Value	Weight (kg)
123113TRR250404	1/2"	15	55	48	95	16	0.208
123113TRR250606	3/4"	20	65	52	95	30	0.312
123113TRR250808	1"	25	78	65	130	48	0.602
123113TRR251010	1 1/4"	32	91	69	130	100	0.924
123113TRR251212	1 1/2"	40	99	80	160	170	1.362
123113TRR251616	2"	50	119	88	160	230	2.224

Valve suitability

Product	Steam	Water	Drinking Water	Oil	Air (Oil Free)	Gas (Inert)	Gas (Combustible)	Gas (Corrosive)	Gas (Oxygen)
1231	x	✓	✓	✓	✓	x	x	x	x

This valve is not suitable for gas applications.

Max. working parameters

1231	Temperature °C	Pressure bar	Pressure psi
Water	-10 to +120	25	360

Specification clauses:

Lever operated quarter turn, tight shut-off.

Chrome plated brass ball, body and end connector.

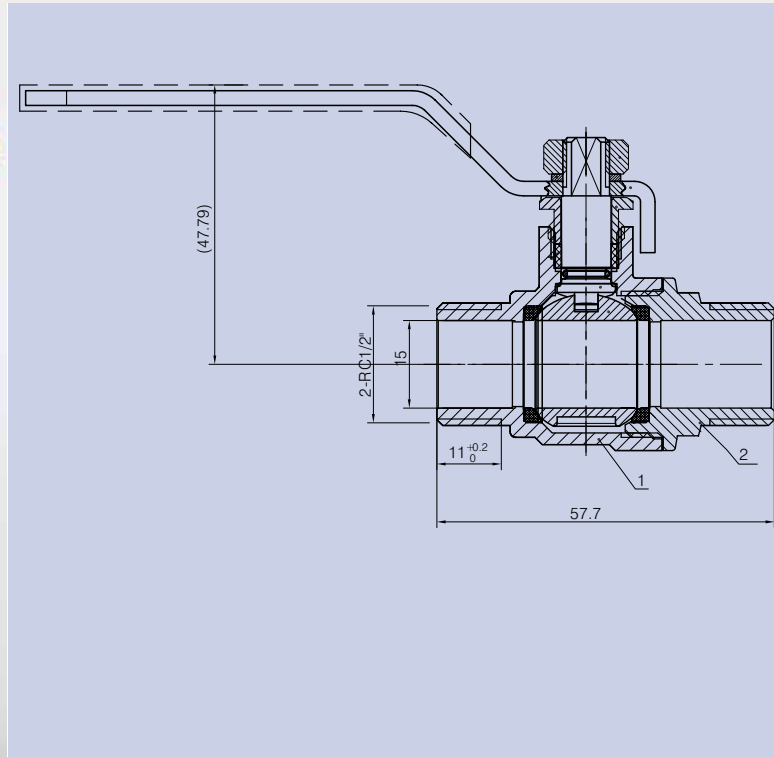
Brass stem.

PTFE seats and stem gland seal.

EPDM stem O-ring.

Male x female end connections, female taper threads to EN 10226-2 (ISO 7-1).

Designed in accordance with WRAS requirements.



Valves range

1232 Quarter Turn Ball Valve M x M - PN25 - (Brass Chrome Plated) - Red Lever

Material specification

Lever Handle Version: 1232 - 1/2" - 2"

No	Component	Material	Specification
1	End Connector	Brass - Chrome Plate	EN 12165 CW617N - DW
2	Ball	Brass - Chrome Plate	EN 12165 CW617N - DW
3	Ball Seal	PTFE	PTFE
4	Body	Brass - Chrome Plate	EN 12165 CW617N - DW
5	Stem	Brass	EN 12164 CW617N - DW
6	Stem O-ring	EPDM	EN 2430:1995
7	Gland	PTFE	PTFE
8	Packing Nut	Brass	EN 12164 CW617N - DW
9	Lever Handle	Steel	EN 24T + Polyethylene HD
10	Washer	Stainless Steel	ISO.15510
11	Lever Nut	Stainless Steel	ISO.15510

Features and benefits:

- Full bore Quarter Turn Ball Valve.
- Blow out proof stem.
- End connections male x male, taper threads to EN 10226-2 (ISO 7-1).
- Designed in accordance with WRAS requirements.
- Unique Conex Bänninger lever handle.

Ball Valve - 1232

Lever Handle Order Code EN 10226-2 (ISO 7-1) thread	Size	DN	A	B	C	Kv Value	Weight (kg)
123213TTR250404	1/2"	15	55	48	95	16	0.208
123213TTR250606	3/4"	20	65	52	95	30	0.312
123213TTR250808	1"	25	78	65	130	48	0.602
123213TTR251010	1 1/4"	32	91	69	130	100	0.924
123213TTR251212	1 1/2"	40	99	80	160	170	1.362
123213TTR251616	2"	50	119	88	160	230	2.224

Valve suitability

Product	Steam	Water	Drinking Water	Oil	Air (Oil Free)	Gas (Inert)	Gas (Combustible)	Gas (Corrosive)	Gas (Oxygen)
1232	x	✓	✓	✓	✓	x	x	x	x

This valve is not suitable for gas applications.

Max. working parameters

1232	Temperature °C	Pressure bar	Pressure psi
Water	-10 to +120	25	360

Specification clauses:

Lever operated quarter turn, tight shut-off.

Brass stem.

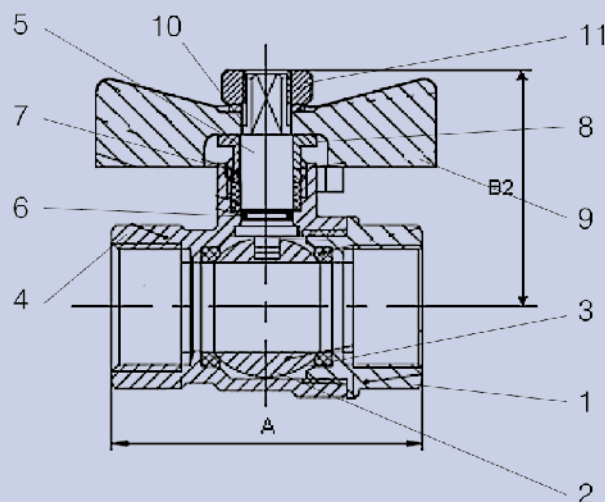
Chrome plated brass ball, body and end connectors.

PTFE seats and stem gland seal.

EPDM stem O-ring.

End connections male x male, taper threads to EN 10226-2 (ISO 7-1).

Designed in accordance with WRAS requirements.



Valves range

1235 Quarter Turn Ball Valve - PN25 - (Brass Chrome Plated) - Red Tee

Material specification

Tee Handle Version: 1235 - 1/2" - 1"

No	Component	Material	Specification
1	End Connector	Brass - Chrome Plate	EN 12165 CW617N - DW
2	Ball	Brass - Chrome Plate	EN 12165 CW617N - DW
3	Ball Seal	PTFE	PTFE
4	Body	Brass - Chrome Plate	EN 12165 CW617N - DW
5	Stem	Brass	EN 12164CW617N - DW
6	Stem O-ring	EPDM	EN 2430:1995
7	Gland	PTFE	PTFE
8	Packing Nut	Brass	EN 12164 CW617N-DW
9	Tee Handle	Aluminium	EN 1706 LM6
10	Washer	Stainless Steel	ISO.15510
11	Lever Nut	Stainless Steel	ISO.15510

Features and benefits:

- Full bore Quarter Turn Ball Valve.
- Blow out proof stem.
- End connections, female taper threads to EN 10226-2 (ISO 7-1).
- Designed in accordance with WRAS requirements.

Ball Valve - 1235							
Order Code	Size	DN	A	B	Kv value	Weight (kg)	
EN 10226-2 (ISO 7-1) thread							
123513RRT250404	1/2"	15	55	38	16	0.208	
123513RRT250606	3/4"	20	65	42	30	0.312	
123513RRT250808	1"	25	78	50	48	0.602	

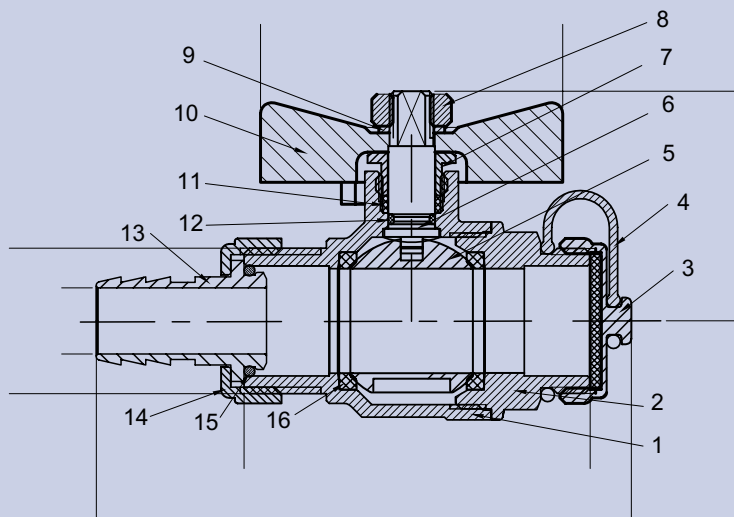
Valve suitability									
Product	Steam	Water	Drinking Water	Oil	Air (Oil Free)	Gas (Inert)	Gas (Combustible)	Gas (Corrosive)	Gas (Oxygen)
1235	x	✓	✓	✓	✓	x	x	x	x

This valve is not suitable for gas applications.

Max. working parameters			
1235	Temperature °C	Pressure bar	Pressure psi
Water	-10 to +120	25	360

Specification clauses:

- Tee operated quarter turn, tight shut-off.
- Brass stem.
- Chrome plated brass ball, body and end connector.
- PTFE seats and stem gland seal.
- EPDM stem O-ring.
- End connections, female taper threads to EN 10226-2 (ISO 7-1).
- Designed in accordance with WRAS requirements.



Valves range

1256 Quarter Turn Ball Valve - PN16 - (DZR) - Hose Union Drain Tap

Material specification

Tee Handle Version: 1256 - 1/2" - 3/4"

No	Component	Material	Specification
1	Body	DZR Brass	EN 12165 CW602N
2	End Cap	DZR Brass	EN 12165 CW602N
3	Dust Cap	Brass	EN 12165 CW617N
4	Retaining Strap	EPDM	EN 2430:1995
5	Ball	DZR Brass	EN 12165 CW602N
6	Stem	DZR Brass	EN 12164 CW602N
7	Stem Nut	DZR Brass	EN 12164 CW602N
8	Nut	Stainless steel	ISO.15510
9	Spring Washer	Stainless steel	ISO.15510
10	Tee Handle	Aluminium	EN 1706 LM6
11	Gland	PTFE	PTFE
12	O-ring	EPDM	EN 2430:1995
13	Hose Union	Brass	EN 12165 CW617N
14	Retaining Cap	Brass	EN 12165 CW617N
15	O-ring	EPDM	EN 2430:1995
16	Ball Seat	PTFE	PTFE

Features and benefits:

- Full bore Quarter Turn Ball Valve.
- Full DZR construction.
- Blow out proof stem.
- End connections, male parallel threads to ISO 228.
- Supplied with hose union and dust cap.

Ball Valve - 1256

Tee Handle Order Code ISO 228	Size	DN	A	B	Kv value	Weight (kg)
125650MHT160404	1/2"	15	93	38	16	0.252
125650MHT160606	3/4"	20	97	41	30	0.380

Valve suitability

Product	Steam	Water	Drinking Water	Oil	Air (Oil Free)	Gas (Inert)	Gas (Combustible)	Gas (Corrosive)	Gas (Oxygen)
1256	x	✓	✓	✓	✓	x	x	x	x

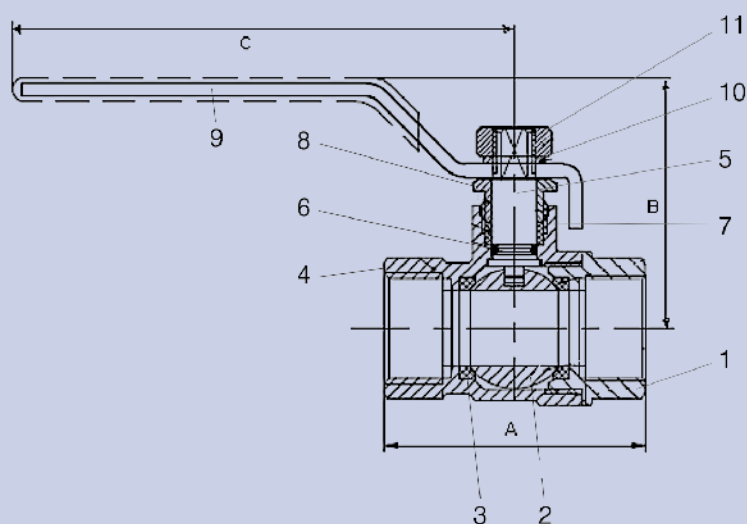
This valve is not suitable for gas applications.

Max. working parameters

1256	Temperature °C	Pressure bar	Pressure psi
Water	-20 to +80	16	230

Specification clauses:

- Tee handle operated quarter turn, tight shut-off.
- DZR brass body stem and cap.
- Chrome plated brass ball.
- PTFE seats and stem seals.
- EPDM stem O-ring.
- End connections, male parallel threads to ISO 228.
- WRAS approved for drinking water applications.
- Suitable for low temperature hot water and chilled systems.
- Supplied with hose union and dust cap.



Valves range

1260 Quarter Turn Ball Valve - PN25 - (Brass Chrome Plated) - Red Lever - Short Thread Series

Material specification

Lever Handle Version: 1260 - 1/2" - 2"

No	Component	Material	Specification
1	End Connector	Brass - Chrome Plate	EN 12165 CW617N - DW
2	Ball	Brass - Chrome Plate	EN 12165 CW617N - DW
3	Ball Seal	PTFE	PTFE
4	Body	Brass - Chrome Plate	EN 12165 CW617N - DW
5	Stem	Brass	EN 12164 CW617N - DW
6	Stem O-ring	EPDM	EN 2430:1995
7	Gland	PTFE	PTFE
8	Packing Nut	Brass	EN 12164 CW617N - DW
9	Lever Handle	Steel + PVC	EN 24T + PVC
10	Washer	Stainless Steel	ISO.15510
11	Lever Nut	Stainless Steel	ISO.15510

Features and benefits:

- Full bore Quarter Turn Ball Valve.
- Blow out proof stem.
- End connections, female taper threads to EN 10226-2 (ISO 7-1).
- WRAS approved for drinking water applications.
- Unique Conex Bänninger lever handle.
- Short thread series allows minimum effective thread length for seal.

Ball Valve - 1260								
Order Code	Size	DN	A	B	C	Kv Value	Weight (kg)	
EN 10226-2 (ISO 7-1) thread								
126013RRR250404	1/2"	15	50	48	95	16	0.186	
126013RRR250606	3/4"	20	58	52	95	30	0.264	
126013RRR250808	1"	25	69	65	130	48	0.462	
126013RRR251010	1 1/4"	32	81	69	130	100	0.614	
126013RRR251212	1 1/2"	40	89	80	160	170	0.938	
126013RRR251616	2"	50	110	88	160	230	1.450	

Valve suitability

Product	Steam	Water	Drinking Water	Oil	Air (Oil Free)	Gas (Inert)	Gas (Combustible)	Gas (Corrosive)	Gas (Oxygen)
1260	x	✓	✓	✓	✓	x	x	x	x

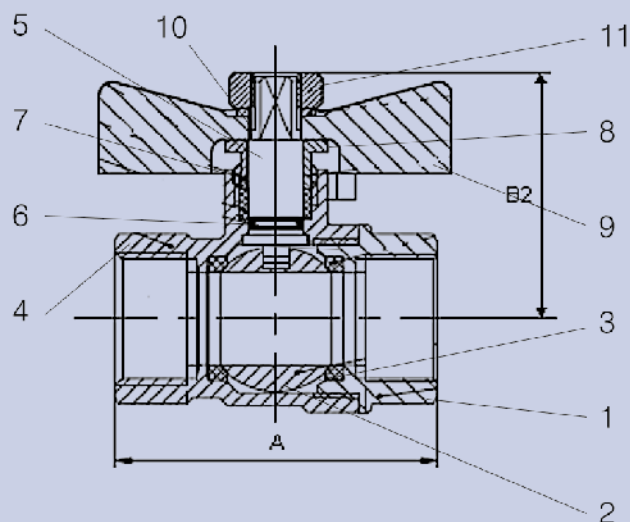
This valve is not suitable for gas applications.

Max. working parameters

1260	Temperature °C	Pressure bar	Pressure psi
Water	-10 to +120	25	360

Specification clauses:

- Lever operated quarter turn, tight shut-off.
- Brass stem.
- Chrome plated brass ball, body and end connector.
- PTFE seats and stem gland seal.
- EPDM stem O-ring.
- End connections, female taper threads to EN 10226-2 (ISO 7-1).
- WRAS approved for drinking water.



Valves range

1265 Quarter Turn Ball Valve - PN25 - (Brass Chrome Plated) - Red Tee - Short Thread Series

Material specification

Tee Handle Version: 1265 - 1/2" - 1"

No	Component	Material	Specification
1	End Connector	Brass - Chrome Plate	EN 12165 CW617N - DW
2	Ball	Brass - Chrome Plate	EN 12165 CW617N - DW
3	Ball Seal	PTFE	PTFE
4	Body	Brass - Chrome Plate	EN 12165 CW617N - DW
5	Stem	Brass	EN 12164 CW617N - DW
6	Stem O-ring	EPDM	EN 2430:1995
7	Gland	PTFE	PTFE
8	Packing Nut	Brass	EN 12164 CW617N - DW
9	Tee Handle	Aluminium	EN 1706 LM6
10	Washer	Stainless Steel	ISO.15510
11	Lever Nut	Stainless Steel	ISO.15510

Features and benefits:

- Full bore Quarter Turn Ball Valve.
- Blow out proof stem.
- End connections female taper threads designed to EN 10226-2 (ISO 7-1).
- WRAS approved for drinking water applications.
- Short thread series allows minimum effective thread length for seal.

Ball Valve - 1265							
Tee Handle Order Code	Size	DN	A	B	Kv Value	Weight (kg)	
EN 10226-2 (ISO 7-1) thread							
126513RRT250404	1/2"	15	50	38	16	0.162	
126513RRT250606	3/4"	20	58	42	30	0.244	
126513RRT250808	1"	25	69	50	48	0.420	

Valve suitability

Product	Steam	Water	Drinking Water	Oil	Air (Oil Free)	Gas (Inert)	Gas (Combustible)	Gas (Corrosive)	Gas (Oxygen)
1265	x	✓	✓	✓	✓	x	x	x	x

This valve is not suitable for gas applications.

Max. working parameters

1265	Temperature °C	Pressure bar	Pressure psi
Water	-10 to +120	25	360

Specification clauses:

- Tee operated quarter turn, tight shut-off.
- Chrome plated brass ball, body and end connector.
- Brass stem.
- PTFE seats and stem gland seal.
- EPDM stem O-ring.
- End connections, female taper threads to EN 10226-2 (ISO 7-1).
- WRAS approved for drinking water applications.

Conex | Bänninger



Conex | Bänninger
Conex Compression

Conex | Bänninger
Triflow Solder Ring

Conex | Bänninger
Delcop End Feed

Conex | Bänninger
Delbraze

Conex | Bänninger
>B< Press

Conex | Bänninger
>B< Press Gas

Conex | Bänninger
>B< Press Solar

Conex | Bänninger
>B< Press XL

Conex | Bänninger
>B< Press Carbon

Conex | Bänninger
>B< Press Inox

Conex | Bänninger
>B< Flex

Conex | Bänninger
>B< Push

Conex | Bänninger
Push-Fit

Conex | Bänninger
Cuprofit

Conex | Bänninger
K65®

Conex | Bänninger
Valves

Conex | Bänninger
>B< Oyster

Conex | Bänninger
Medical Gas

Conex | Bänninger
OEM

Conex | Bänninger
>B< ACR

Conex | Bänninger
Series 3000

Conex | Bänninger
Series 8000

Conex | Bänninger
Series 8000 M



United Kingdom
Conex Universal Limited

Germany
IBP GmbH

Spain/France
IBP Atcosa SL

Italy
IBP Banninger Italia srl

Poland Sales, Marketing and Logistics
IBP Instalittings Sp z.o.o.

China
IBP China

Tel: +44 (0)121 557 2831 | Fax: +44 (0)121 557 0185 | Email: salesuk@ibpgroup.com | Website: www.conexbanninger.com

The content of this publication is for general information only. It is the user's responsibility to determine suitability of any product for the purpose intended and reference should be made to our Technical Department if clarification is required. In the interests of technical development we reserve the right to change specification, design and materials without notice.

Conex Bänninger products are approved by numerous Standards Authorities and Certification Bodies. For more details on this product range, please email our technical team at: technical@ibpgroup.com. IBP trademarks are registered in numerous countries.