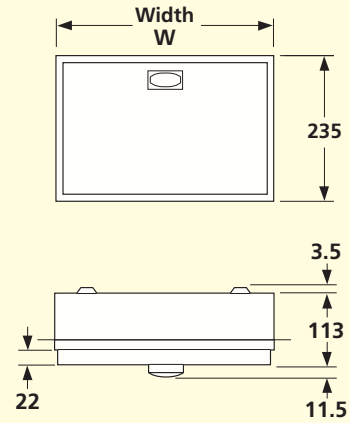


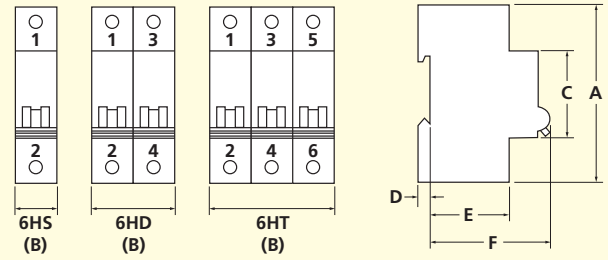
## TYPE A DISTRIBUTION BOARDS & GP ENCLOSURES

List No.	W	List No.	H	W	D
<b>18SN05</b>	188	<b>18GP2S</b>	61	152	51
<b>18SN08</b>	242	<b>18GP4S</b>	76	140	67
<b>18SN11</b>	293				
<b>18SN14</b>	343	<b>18GP2M</b>	90	225	66
<b>18SN19</b>	437	<b>18GP4M</b>	135	346	74



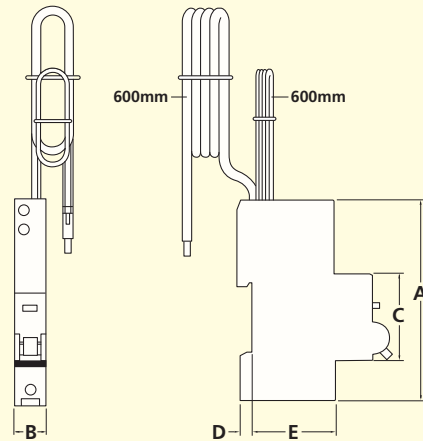
## MINIATURE CIRCUIT BREAKERS (MCBs)

List No	A	B	C	D	E	F
<b>6HS ...</b>	90	18	45	6	44	70
<b>6HD ...</b>	90	36	45	6	44	70
<b>6HT ...</b>	90	54	45	6	44	70



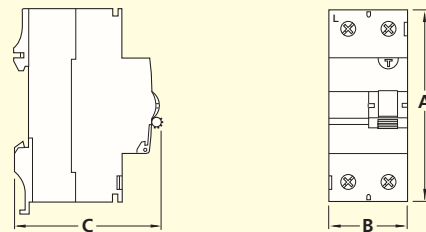
## LOADSTAR RCBOs (SINGLE MODULE)

List No	A	B	C	D	E
<b>6HSR ... /30 ...</b>	125	17.6	45	6.2	44



## 2 MODULE RESIDUAL CURRENT CIRCUIT BREAKERS

List No	A	B	C
<b>18R100 / ... / 2</b>	90	35	75



## 4 MODULE RESIDUAL CURRENT CIRCUIT BREAKERS

List No	A	B	C
<b>18R100 / ... / 4</b>	85	70	68

