



bench trunking and units introduction



Marco Bench Trunking is manufactured from satin anodised aluminium and is fitted with a white uPVC lid.

It is available in both satin anodised aluminium and white powder-coated finishes, with a facility for earth termination.

Marco Back to Back Bench Trunking is also available.

A full range of moulded and fabricated fittings is available, and 35mm and 25mm Marco Accessory Boxes can be installed at any point along the Bench Trunking system.

Optional clip-in dividers are available for segregation between power and data cabling.

Marco Bench Trunking Units are available in one-gang, two-gang or combined one and two-gang socket mounting boxes. Back to Back units and additional combinations can be supplied to order.

For the convenience of the installer, all Marco Bench Trunking products can be supplied pre-assembled.

Available in anodised aluminium and white powder-coated aluminium finishes.

Please contact our Sales Team for further information on the range



truro county hall

Marco has supplied approximately 1,000 metres of charcoal Bench Trunking, as part of a major refurbishment project at Truro County Hall.

The project required a bespoke coloured uPVC Trunking, which was supplied in three phases to contractors Mitie, along with a range of accessories, all specified in a charcoal shade.

Pete Kirby of Mitie said: “We are really pleased with the finish of the Trunking. Marco has delivered an excellent product that isn’t part of their standard range.”

Jason Brock of Marco Cable Management added: “We are always keen to discuss new and innovative ways of meeting our customers’ wider objectives. We have a strong working relationship with Mitie and when they approached us with a variation request on our Trunking in a black colour, we were able to meet this requirement, delivering their order within the set timescales.

The finish looks fantastic and sits really well within this modern office environment.”

The Truro office refurbishment forms part of a wider £12 million programme to upgrade Council buildings in Camborne and Bodmin, as well as Truro. Under the scheme, Truro County Hall benefitted from a full upgrade including new public meeting rooms, new catering facilities and restrooms.





bench trunking accessories



MTBTW



MTBTI / MTBTIW



MTBTE / MTBTEW



MTLS



MTBT



MTBJ



MTBC



MTD1052



MTBT-BB / MTBT-BBW



MTPSB1 / MTPSB1-25



MTPSB2 / MTPSB2-25

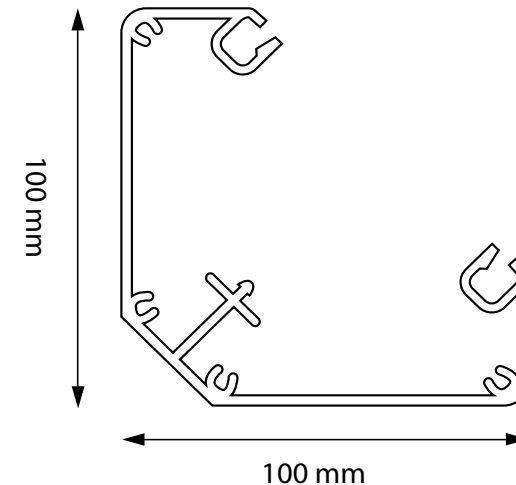


MTBTRCDH

bench trunking accessories



CODE	DESCRIPTION	PACK SIZE
MTBT	Bench Trunking, aluminium body, uPVC lid	1 x 2m
MTBTW	Bench Trunking, white powder-coated aluminium body, uPVC lid	1 x 2m
MTBT-BB	Back to back Bench Trunking, aluminium body, uPVC lid	1 x 2m
MTBT-BBW	Back to back Bench Trunking, white powder-coated aluminium body, uPVC lid	1 x 2m
MTBTI	Internal angle	1
MTBTIW	Internal angle white	1
MTBTE	External angle	1
MTBTEW	External angle white	1
MTBC	End cover	2
MTBJ	Joint cover	2
MTLS	Accessory spacer	10
MTPSB1	Socket mounting box 35mm 1-gang	10
MTPSB1-25	Socket mounting box 25mm 1-gang	10
MTPSB2	Socket mounting box 35mm 2-gang	10
MTPSB2-25	Socket mounting box 25mm 2-gang	10
MTD1052	uPVC divider	10 x 2m
MTBTRCDH	RCD/MCB DIN rail housing (includes: hinged cover, mounting frame, mounting bracket, Marco locking mechanism available)	1



dimensions and cable capacities

DATA CABLE DIAMETER (mm)	NOMINAL CSA (mm ²)	COMPARTMENT A		
		6296mm ²	6296mm ² and 25mm back box (4582mm ²)	6296mm ² and 35mm back box (3860mm ²)
		45% Fill (2833mm ²)	45% Fill (2061mm ²)	45% Fill (1737mm ²)
5	19.6	144	105	88
5.5	23.8	119	86	72
6	28.3	100	72	61
6.5	33.2	85	62	52
7	38.5	73	53	45

POWER CABLE CONDUCTOR CSA (mm ²)	CABLE FACTOR	COMPARTMENT A		
		6296mm ²	6296mm ² and 25mm back box (4582mm ²)	6296mm ² and 35mm back box (3860mm ²)
		45% Fill (2833mm ²)	45% Fill (2061mm ²)	45% Fill (1737mm ²)
1.5	8.6	329	239	201
2.5	12.6	224	163	137
4	16.6	170	124	104
6	21.2	133	97	81

Typical cable loading information in line with wiring regulation BS 7671 (45% CSA Fill)



bench trunking units



**MTBU1
MTBU1W**



**MTBU1-BB
MTBU1-BBW**



**MTBU2
MTBU2W**



**MTBU2-BB
MTBU2-BBW**



**MTBU3
MTBU3W**



**MTBU3-BB
MTBU3-BBW**



**MTBU4
MTBU4W**



**MTBU4-BB
MTBU4-BBW**

Alternating configurations available.
Please contact our Sales Team for further information on the range