



Sel.switch,2 pos.

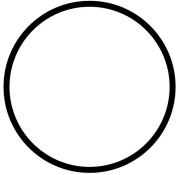


Powering Business Worldwide™

Part no.
Article no.

M22-WKV
216874

Delivery programme

Product range			RMQ-Titan (drilling dimensions 22.5 mm)
Basic function			Selector switch actuators
Single unit/Complete unit			Single unit
Description			V position Stay-put/spring-return function, can be changed with coding parts M22-XC-Y
Function			maintained V position ∨ right: 60°
Design			With thumb-grip, V position
Colour of button plate			
			
Front ring			Front ring: titanium
Connection to SmartWire-DT			yes

Approvals

Product Standards
UL File No.
UL CCN
CSA File No.
CSA Class No.
NA Certification
Degree of Protection

IEC/EN 60947-5; UL 508; CSA-C22.2 No. 14-05; CSA-C22.2 No. 94-91; CE marking
E29184
NKCR
012528
3211-03
UL listed, CSA certified
UL/CSA Type 3R, 4X, 12, 13

General

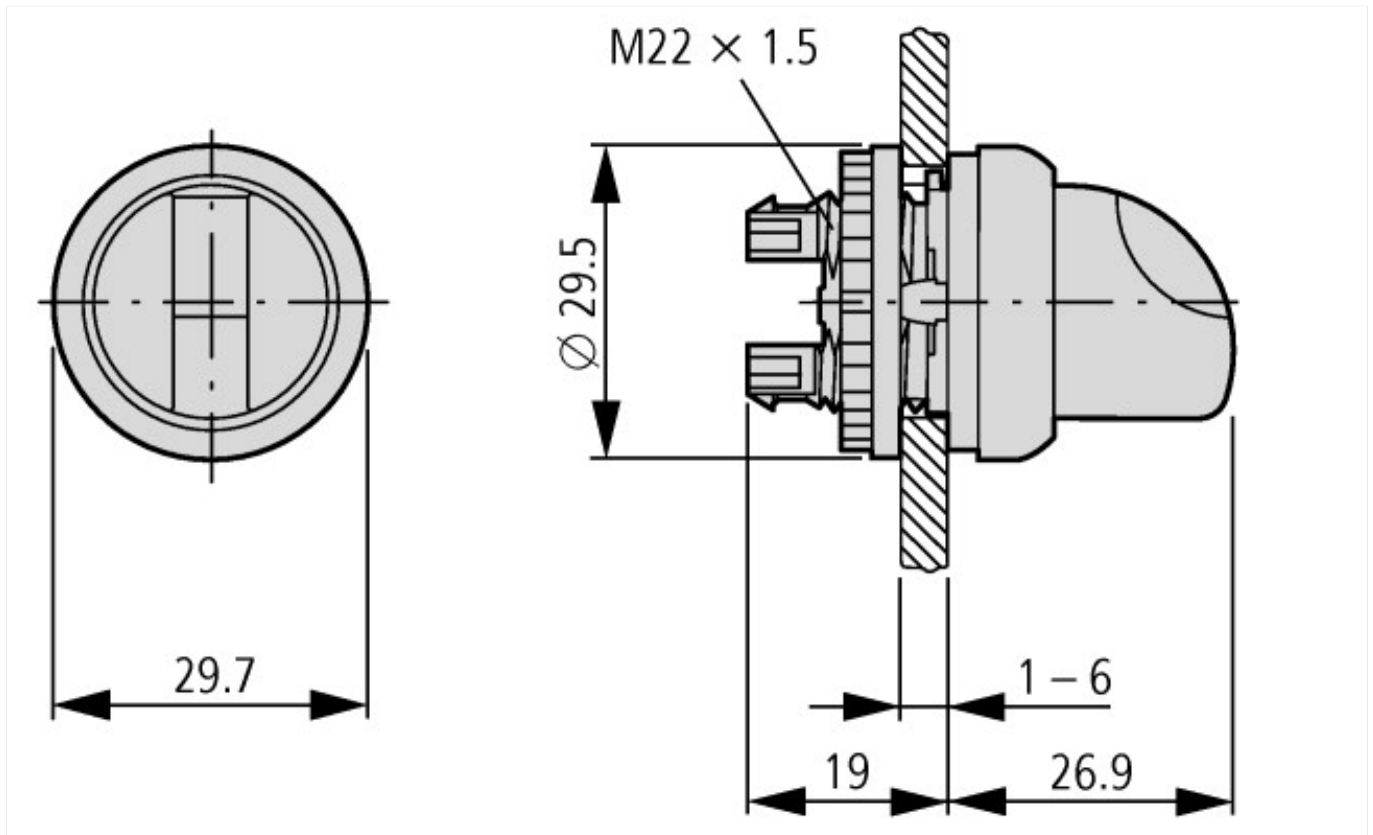
Standards			IEC/EN 60947 VDE 0660
Lifespan, mechanical	Operations	x 10 ⁶	> 0.1
Operating frequency	Operations/ h		≅ 2000
Operating torque (screw terminals)		Nm	≅ 0.3
Protection type			IP66
Climatic proofing			Damp heat, constant to IEC 60068-2-78 Damp heat, cyclic to IEC 60068-2-30
Ambient temperature		°C	
Open		°C	- 25 - + 70
Storage		°C	- 40 - + 80
Mounting position			As required
Mechanical shock resistance		g	30 Shock duration 11 ms Sinusoidal according to IEC 60068-2-27
Indoor and protected outdoor installation			

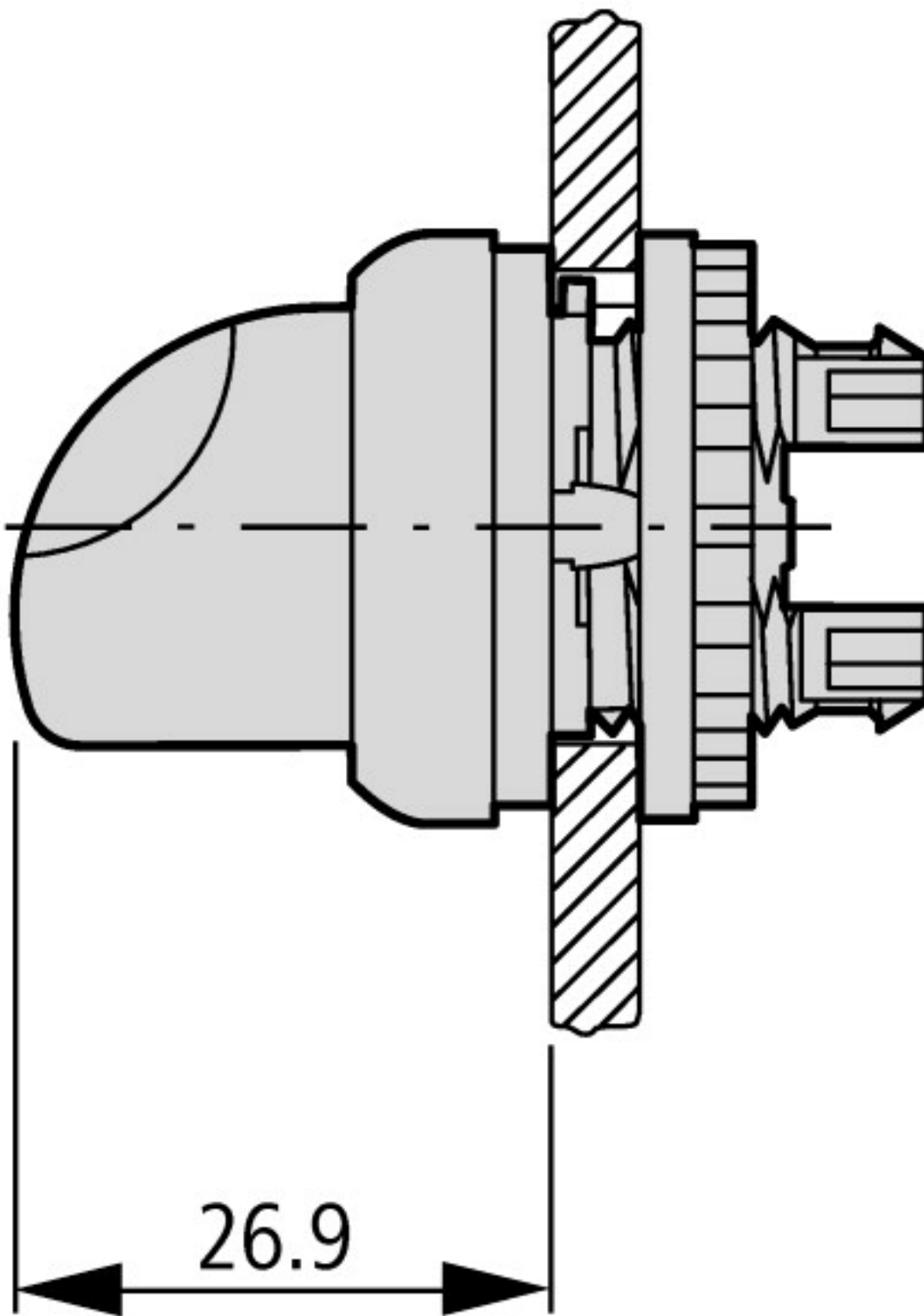
Technical data ETIM 4.0

Color bezel			Chrome
Suitable for illumination			No
Lens design			Round
Protection type (IP), at front			IP66
Material front ring			Insulated material

Momentary			YES
Number of switch positions			2
Color actuator			black
Hole diameter		mm	22
With bezel			YES
Width of opening		mm	22
Height meter opening		mm	6

Dimensions





Additional product information (links)

IL04716002Z (AWA1160-1745) RMQ-Titan System

IL04716002Z (AWA1160-1745) RMQ-Titan System

ftp://ftp.moeller.net/DOCUMENTATION/AWA_INSTRUCTIONS/IL04716002Z2011_03.pdf