



Mini contactor relay,3NO/1NC,AC operated



Powering Business Worldwide™

Part no. DILER-31(415V50HZ,480V60HZ)

Article no. 051771

Delivery programme

Product range			DILER Mini-contactors
Application			Contactors relays
Connection technique			Screw terminals
Rated operational current			
AC-15			
220 V 230 V 240 V	I_e	A	6
380 V 400 V 415 V	I_e	A	3
Contacts			
N/O = Normally open			3 N/O
N/C = Normally closed			1 N/C
Contact sequence			
Code number and version of combination			
Distinctive number			31E
For use with			...DILE
Actuating voltage			415 V 50 Hz, 480 V 60 Hz
Voltage AC/DC			AC operation
Instructions			Contact numbers to EN 50011 Coil terminal markings to EN 50005
Auxiliary contact module			
Interlocked opposing contacts		31E	Conforms to EN 50011 - terminal markings of the coil according to EN 50005
Interlocked opposing contacts	02DILE	33	EN 50005
Interlocked opposing contacts	04DILE	35	EN 50005
Interlocked opposing contacts	11DILE	42	EN 50005
1 early-make contact, 1 late-break contact	11DDILE	42	EN 50005
Interlocked opposing contacts	13DILE	44	EN 50005
Interlocked opposing contacts	20DILE	51	EN 50005
Interlocked opposing contacts	22DILE	53	EN 50005
1 early-make contact, 1 late-break contact	22DDILE	53	EN 50005
Interlocked opposing contacts	31DILE	62	EN 50005
Interlocked opposing contacts	40DILE	71	EN 50005
Information relevant for export to North America			
Product Standards IEC/EN 60947-4-1; UL 508; CSA-C22.2 No. 14-05; CE marking			
UL File No. E29184			
UL CCN NKCR			
CSA File No. 012528			
CSA Class No. 3211-03			
NA Certification UL listed, CSA certified			

Approvals

Product Standards	IEC/EN 60947-4-1; UL 508; CSA-C22.2 No. 14-05; CE marking
UL File No.	E29184
UL CCN	NKCR
CSA File No.	012528
CSA Class No.	3211-03
NA Certification	UL listed, CSA certified

General

Standards			IEC/EN 60947, VDE 0660, UL, CSA
Climatic proofing			Damp heat, constant, to IEC 60068-2-78; Damp heat, cyclical, to IEC 60068-2-30
Protection type			IP20

Protection against direct contact when actuated from front (EN 50274)			Finger and back-of-hand proof
Terminal capacities		mm ²	
Pozidriv screwdriver		Size	2
Max. tightening torque		Nm	1.2

Contacts

Overvoltage category/pollution degree			III/3
Rated insulation voltage	U _i	V AC	690
Rated operational current		A	
Conventional free air thermal current, 3 pole, 50 - 60 Hz			
Open			
Conv. thermal current	I _{th}	A	10
AC-15			
220 V 230 V 240 V	I _e	A	6
380 V 400 V 415 V	I _e	A	3

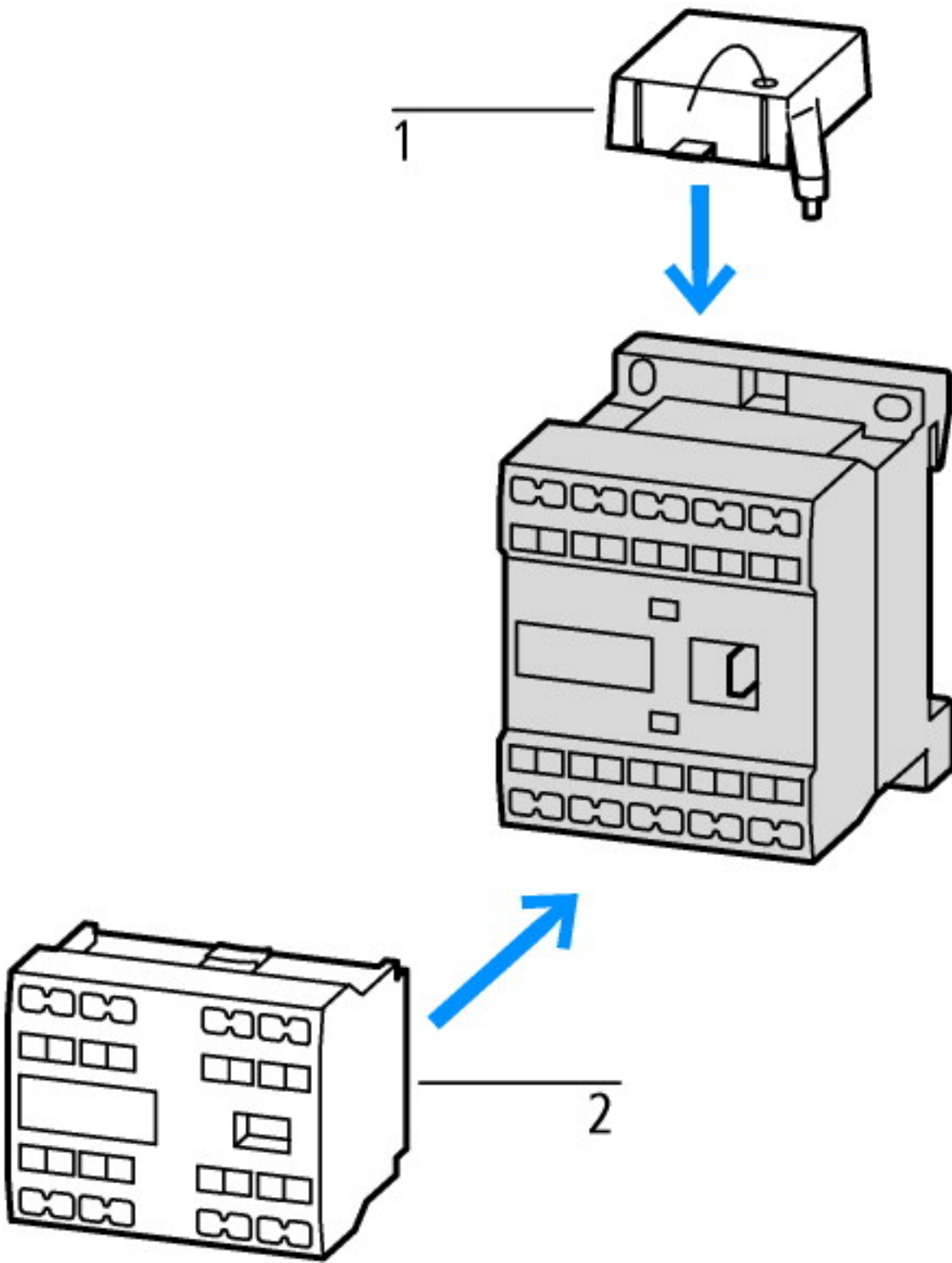
Magnet systems

Power consumption			
50 Hz	Pick-up	VA	25

Technical data ETIM 4.0

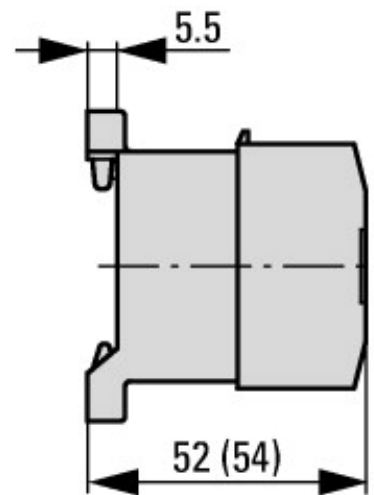
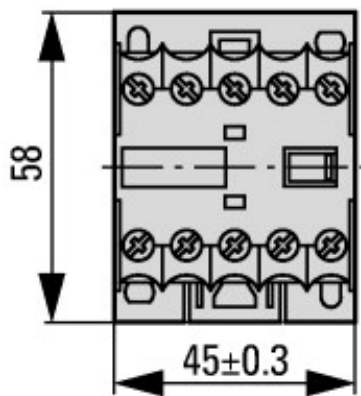
Connection type main circuit			Screw connection
Rated control voltage U _s at DC		V	0
Rated control voltage U _s at AC 60HZ		V	480
Rated control voltage U _s at AC 50HZ		V	415
Number of auxiliary contacts as changeover contacts			0
Rated operation current I _e , 400 V		A	3
Number of auxiliary contacts as N/Cs			1
Number of auxiliary contacts as N/Os			3
Voltage type for actuation			AC
Number of auxiliary contacts as N/Os, leading			0
Number of auxiliary contacts as N/Cs, delayed switching			0

Characteristics

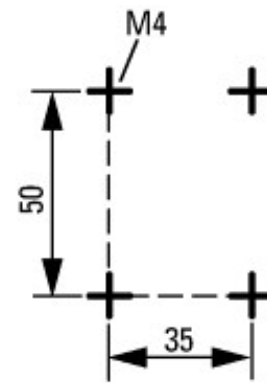
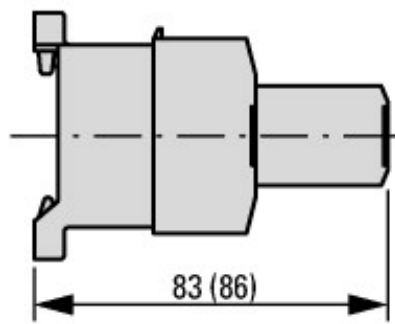
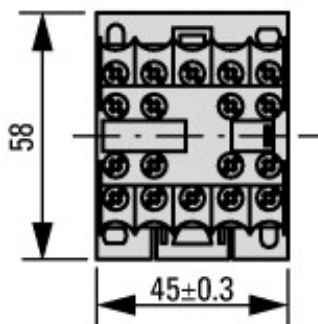


- 1: Suppressor
- 2: Auxiliary contact module

Dimensions



DILER-...
DILER-...-G



DILER-... + ...DILE
DILER-...-G + ...DILE

Additional product information (links)

IL03407009Z (AWA2100-0882) Mini contactor relay

IL03407009Z (AWA2100-0882) Mini contactor relay

ftp://ftp.moeller.net/DOCUMENTATION/AWA_INSTRUCTIONS/IL03407009Z2010_10.pdf

<http://de.ecat.moeller.net/flip-cat/?edition=HPLTE&startpage=5.84>