



Extension shaft



Powering Business Worldwide™

Part no.
Article no.

NZM1/2-XV4
261232

Delivery programme

For use with			Max. mounting depth: 400 mm
			NZM1(-4), PN1(-4), N(S)1(-4) NZM2(-4), PN2(-4), N(S)2(-4)
Notes			
Can be cut to required length			
Notes			
Circuit-breaker can also be installed in a lying position 90 ° left/right, with the handle still in the same position.			

Approvals

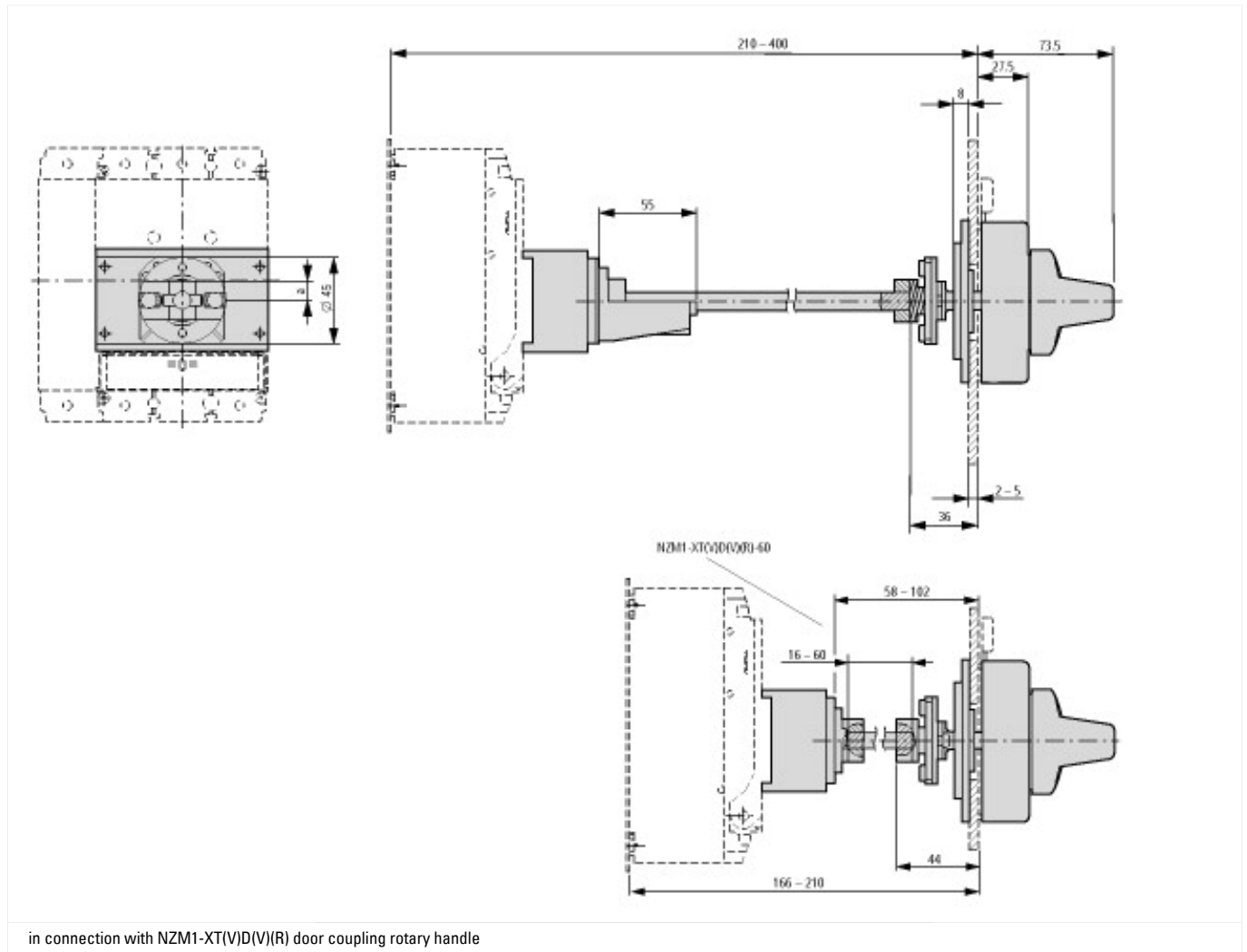
NA Certification

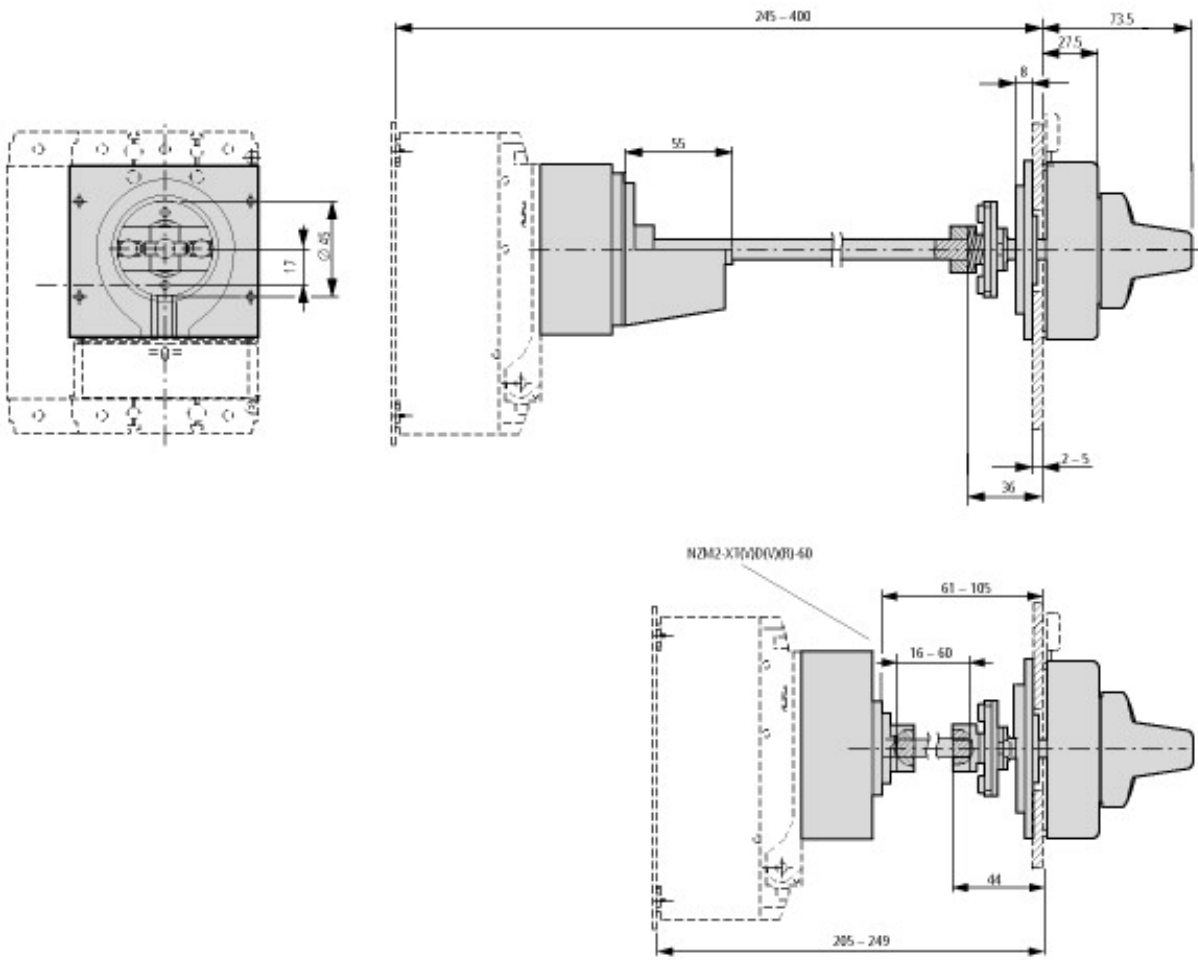
UL/CSA certification not required

Technical data ETIM 4.0

Cross-section width		mm	8
Cross-section height		mm	8
Length		mm	400

Dimensions





in connection with NZM2-XT(V)D(V)R door coupling rotary handle