



Push-button,flush,white



Powering Business Worldwide™

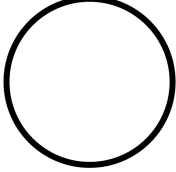
Part no.

M22-D-W

Article no.

216592

Delivery programme

| | | | |
|----------------------------|--|--|--|
| Product range | | | RMQ-Titan (drilling dimensions 22.5 mm) |
| Basic function | | | Pushbutton actuators |
| Single unit/Complete unit | | | Single unit |
| Description | | | Flush |
| Function | | | momentary |
| Button plate | | |  |
| Front ring | | | Front ring: titanium |
| Connection to SmartWire-DT | | | yes |
| Function | | | momentary |

Approvals

Product Standards
UL File No.
UL CCN
CSA File No.
CSA Class No.
NA Certification
Degree of Protection

IEC/EN 60947-5; UL 508; CSA-C22.2 No. 14-05; CSA-C22.2 No. 94-91; CE marking
E29184
NKCR
012528
3211-03
UL listed, CSA certified
UL/CSA Type 3R, 4X, 12, 13

General

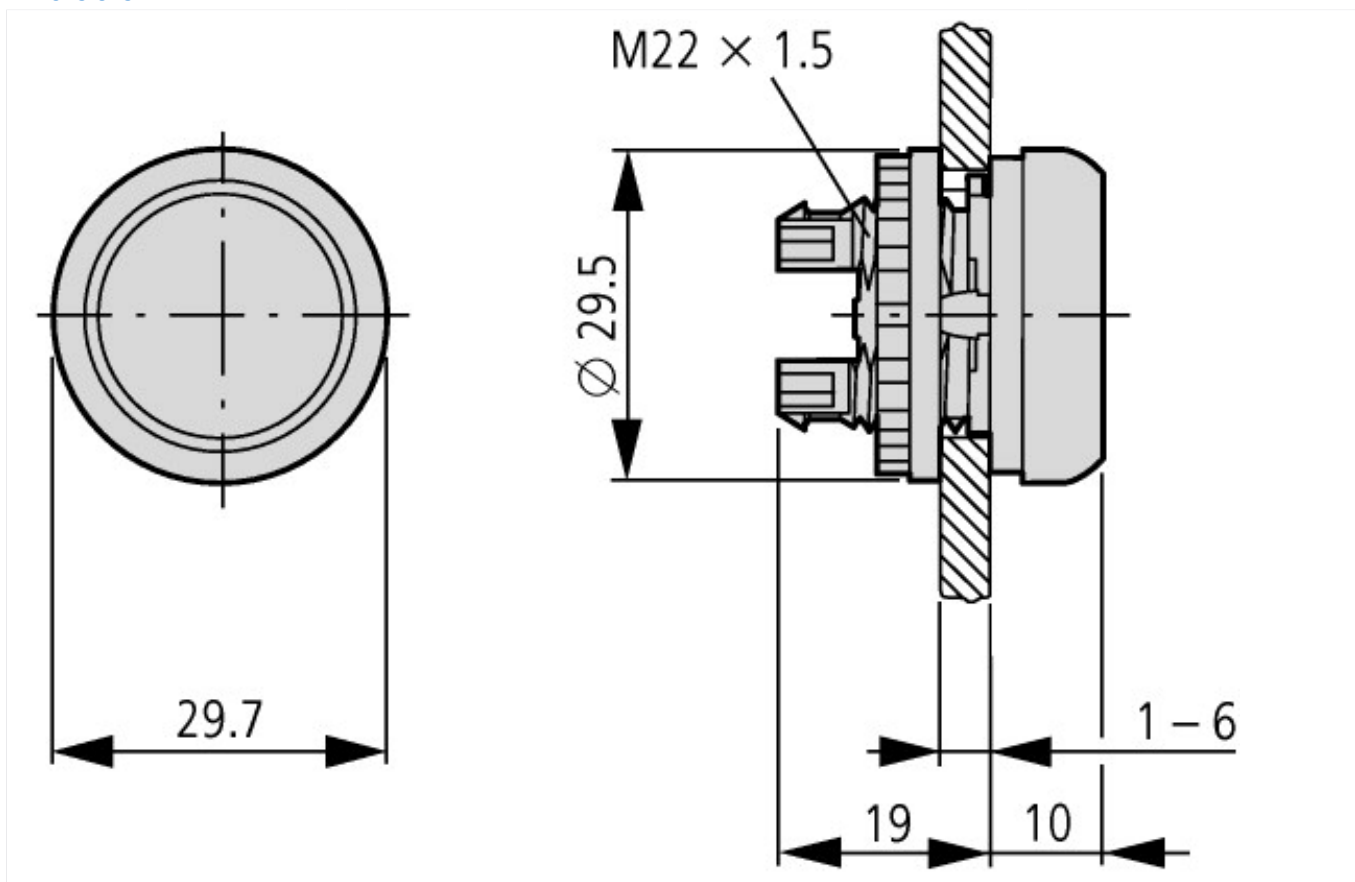
| | | | |
|---|------------------|----------------------|--|
| Standards | | | IEC/EN 60947 VDE 0660 |
| Lifespan, mechanical | Operations | x 10 ⁶ | > 5 |
| Operating frequency | Operations/ h | | ≅ 3600 |
| Actuating force | | n | ≅ 5 |
| Protection type | | | IP67, IP69K |
| Climatic proofing | | | Damp heat, constant to IEC 60068-2-78 Damp heat, cyclic to IEC 60068-2-30 |
| Ambient temperature | | °C | |
| Open | | °C | - 25 - + 70 |
| Storage | | °C | - 40 - + 80 |
| Mounting position | | | As required |
| Mechanical shock resistance | | g | 30 Shock duration 11 ms Sinusoidal according to IEC 60068-2-27 |
| Indoor and protected outdoor installation | | | |

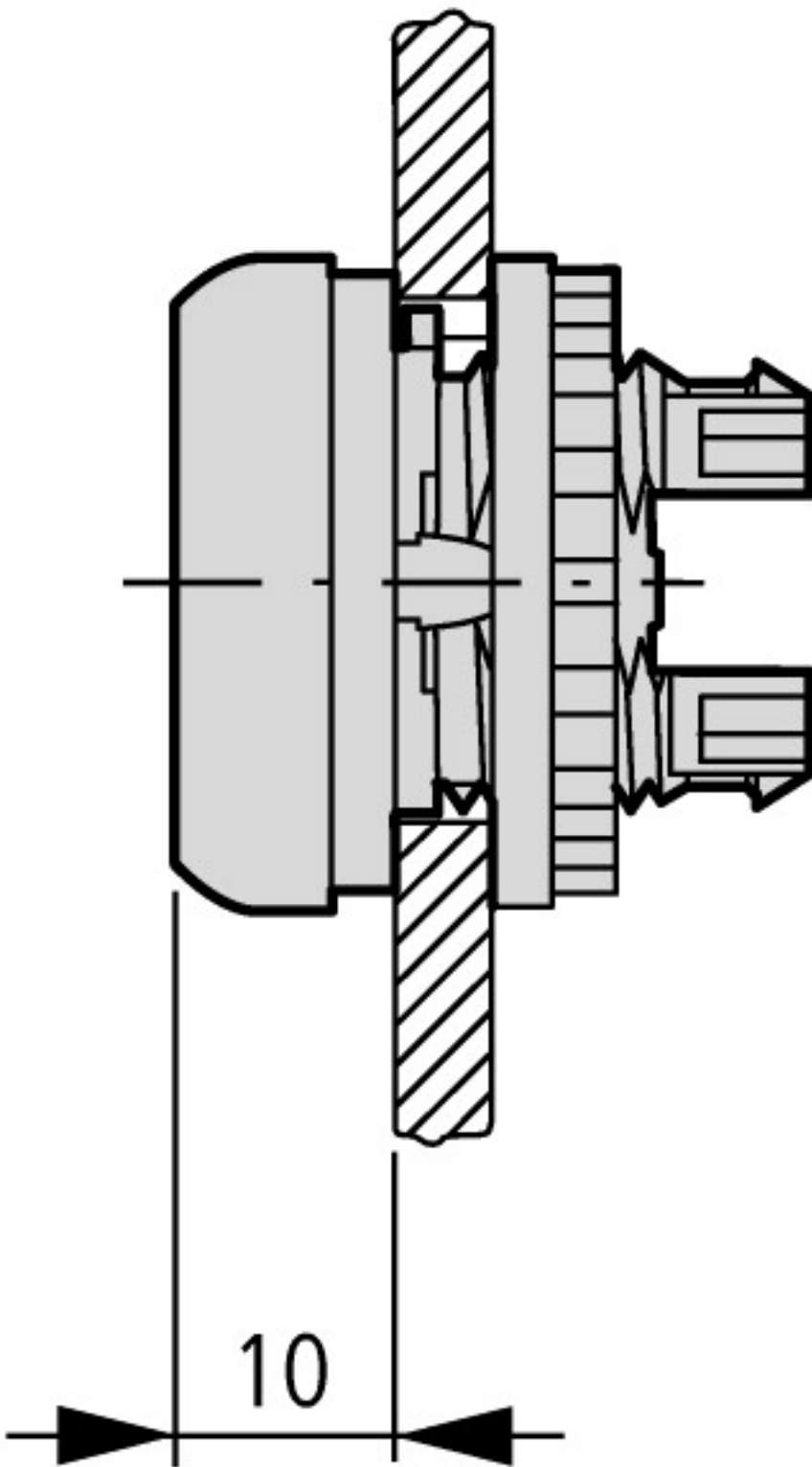
Technical data ETIM 4.0

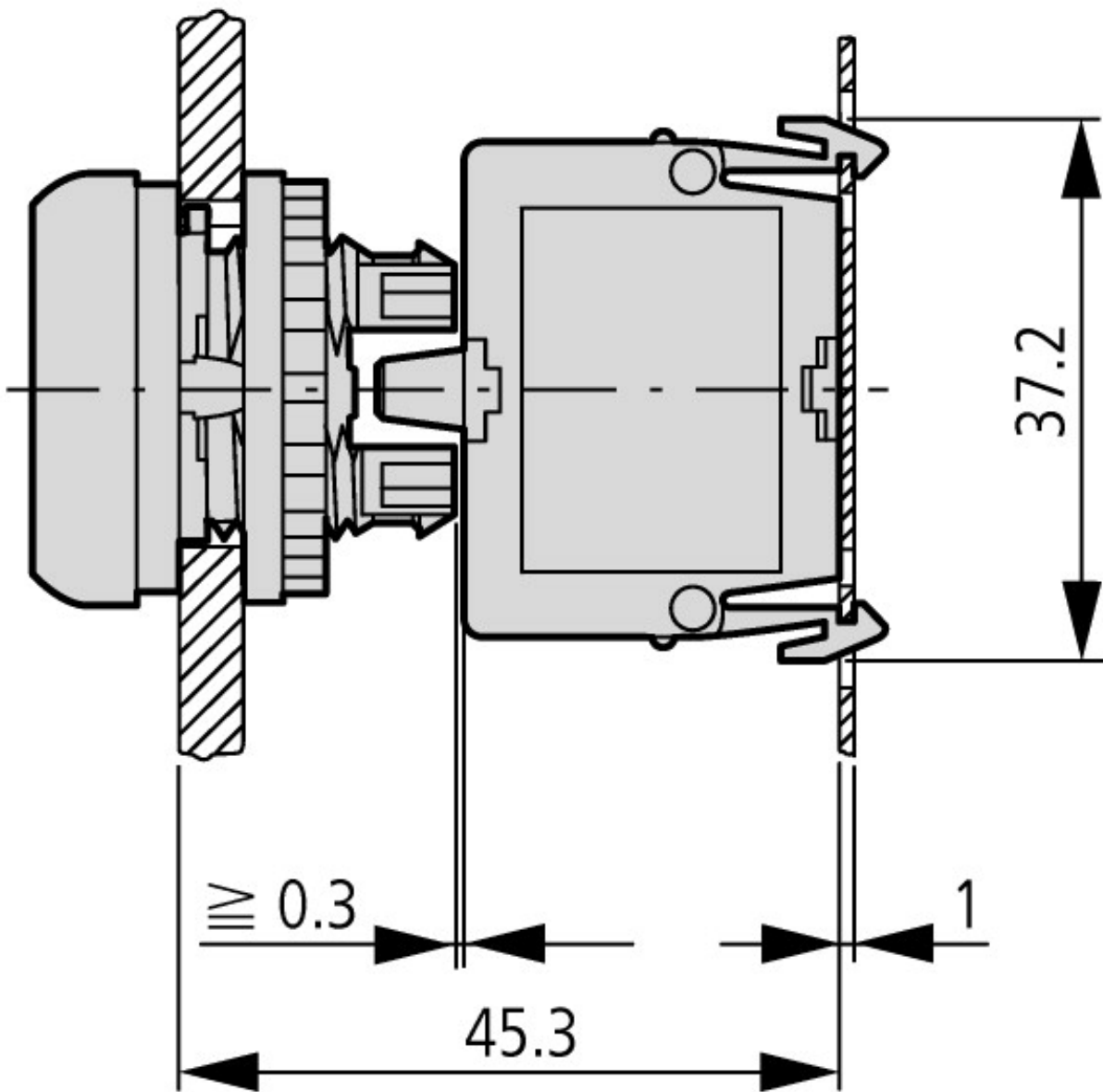
| | | | |
|--------------------------------|--|----|-------|
| Lens design | | | Round |
| Number of locations | | | 1 |
| Protection type (IP), at front | | | IP67 |
| Momentary | | | YES |
| Color button | | | white |
| Hole diameter | | mm | 22 |
| Width of opening | | mm | 22 |
| Design of button | | | flush |

| | | | |
|-----------------------------|--|----|--------------------|
| Color bezel | | | Chrome |
| With bezel | | | YES |
| Height meter opening | | mm | 6 |
| Switching function latching | | | No |
| Suitable for illumination | | | No |
| Material front ring | | | Insulated material |

Dimensions







Actuating and indicator elements
Base fixing

Additional product information (links)

IL04716002Z (AWA1160-1745) RMQ-Titan System

IL04716002Z (AWA1160-1745) RMQ-Titan System

ftp://ftp.moeller.net/DOCUMENTATION/AWA_INSTRUCTIONS/IL04716002Z2011_03.pdf