



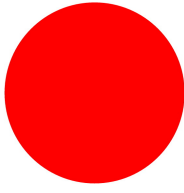
Emerg.stop/switch.off key release MS1



Powering Business Worldwide™

Part no. M22-PVS
Article no. 216879


Delivery programme

Product range			RMQ-Titan (drilling dimensions 22.5 mm)
Basic function			Emergency stop pushbutton/ emergency-stop button
Description			Individual lock mechanism MS1 Not suitable for master key systems
Construction type			Mushroom-shaped
Diameter	∅	mm	38
Colour			
Mushroom head			Red
RAL Value			RAL 3000
			
Function			Key operated
Illumination			Without illumination
Front ring			without front ring
Connection to SmartWire-DT			yes
Instructions			Release by turning with key
Information about equipment supplied			With one key
Notes			
Release by turning with key			
Button diameter 38 mm			
With 1 key			

Approvals

Product Standards	IEC/EN 60947-5; UL 508; CSA-C22.2 No. 14-05; CSA-C22.2 No. 94-91; CE marking
UL File No.	E29184
UL CCN	NKCR
CSA File No.	012528
CSA Class No.	3211-03
NA Certification	UL listed, CSA certified
Degree of Protection	UL/CSA Type 3R, 4X, 12, 13

General

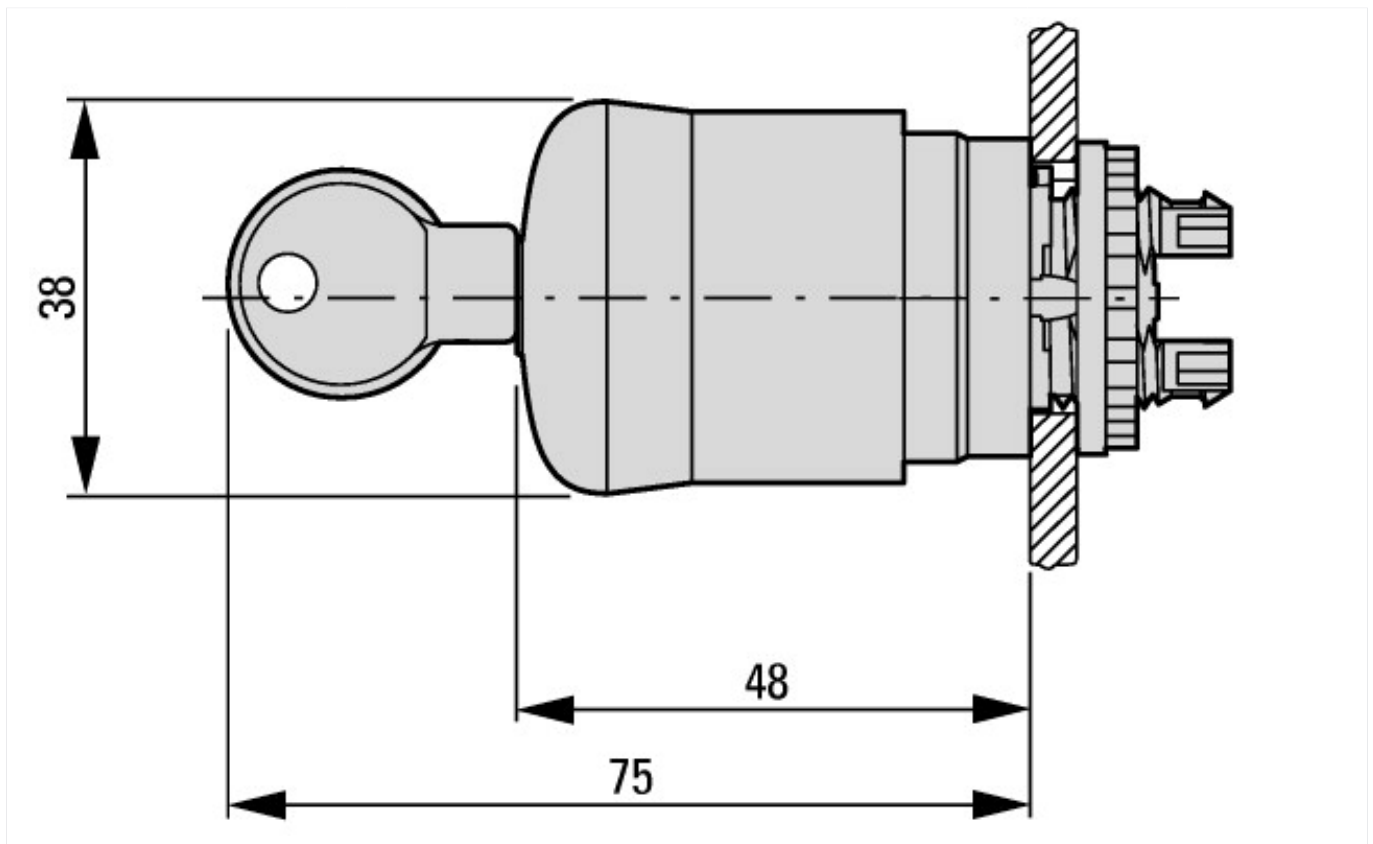
Standards			IEC/EN 60947 VDE 0660
Lifespan, mechanical	Operations	x 10 ⁶	> 0.1
Operating frequency	Operations/ h		 600
Actuating force		n	50
Protection type			IP67, IP69K
Climatic proofing			Damp heat, constant to IEC 60068-2-78 Damp heat, cyclic to IEC 60068-2-30
Ambient temperature		°C	
Open		°C	- 25 - + 70
Mounting position			As required
Mechanical shock resistance		g	50 Shock duration 11 ms Sinusoidal according to IEC 60068-2-27

Technical data ETIM 4.0

With bezel			No
------------	--	--	----

Unlocking method			Key-release
Lens design			Round
Suitable for illumination			No
Hole diameter		mm	22
Suitable for emergency switching off			YES
Color button			red
Color bezel			Chrome
Width of opening		mm	22
Height meter opening		mm	6
Protection type (IP)			IP67
Material front ring			Insulated material
Diameter cap		mm	38
Momentary			No
Switching function latching			YES
Design of button			flush

Dimensions



Additional product information (links)

IL04716005Z RMQ-Titan: Emergency stop buttons, Emergency stop buttons | IL04716002Z*.pdf;IL04716002Z

IL04716005Z RMQ-Titan: Emergency stop buttons, Emergency stop buttons | IL04716002Z*.pdf;IL04716002Z

ftp://ftp.moeller.net/DOCUMENTATION/AWA_INSTRUCTIONS/IL04716005Z2012_02.pdf

IL04716002Z (AWA1160-1745) System RMQ-Titan

ftp://ftp.moeller.net/DOCUMENTATION/AWA_INSTRUCTIONS/IL04716002Z2011_03.pdf