



## Surface mounting enclosure

**Part no.**  
**Article no.**

**M22-14**  
**216539**

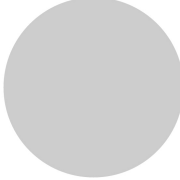


Powering Business Worldwide™

With high-grade steel screws, Enclosure base: anthracite (RAL 9005)

**M22-16** with protection type IP66

### Delivery programme

Product range			RMQ-Titan (drilling dimensions 22.5 mm)
Basic function			Accessories
Basic function accessories			Surface mounting enclosure
Single unit/Complete unit			Single unit
			With high-grade steel screws
Number of locations		Qty.	4
Cable entry knockouts			
Cable entry			at bottom: 2 x M20 at top: 2 x M20 lateral: 2 x M20/M25 (1 x each side)
Colour			
			
RAL Value			RAL 7035
Colour			Enclosure base anthracite
Protection type			IP67, IP69K
Connection to SmartWire-DT			no

### Approvals

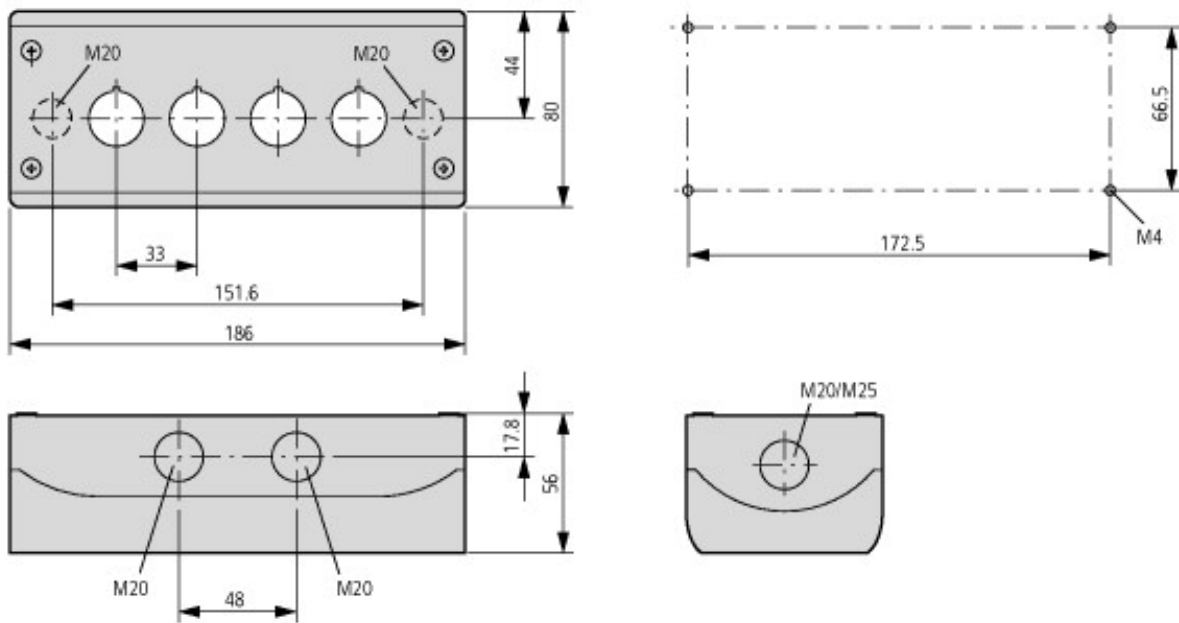
Product Standards  
UL File No.  
UL CCN  
CSA File No.  
CSA Class No.  
NA Certification  
Degree of Protection

IEC/EN 60947-5; UL 508; CSA-C22.2 No. 14-05; CSA-C22.2 No. 94-91; CE marking  
E29184  
NKCR  
012528  
3211-03  
UL listed, CSA certified  
UL/CSA Type 3R, 4X, 12, 13

### Technical data ETIM 4.0

Protection type (IP)			IP67
Number of locations			4
Color housing cover			gray
Openings diameter		mm	22
Housing material			Insulated material
Construction type housing			surface mounting enclosure

### Dimensions



Premoulded cable entry: bottom 2 x M20, top: 2 x M20, side: 2 x M20/M25 (per side 1 x)

### Additional product information (links)

#### IL04716003Z (AWA1160-1746) RMQ-Titan System

IL04716003Z (AWA1160-1746) RMQ-Titan System

[ftp://ftp.moeller.net/DOCUMENTATION/AWA\\_INSTRUCTIONS/IL04716003Z2011\\_02.pdf](ftp://ftp.moeller.net/DOCUMENTATION/AWA_INSTRUCTIONS/IL04716003Z2011_02.pdf)