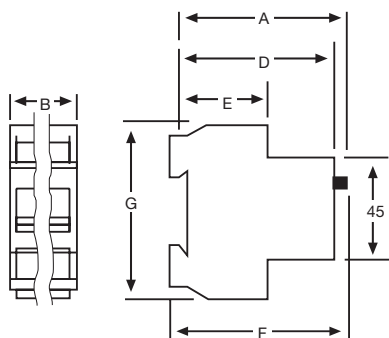


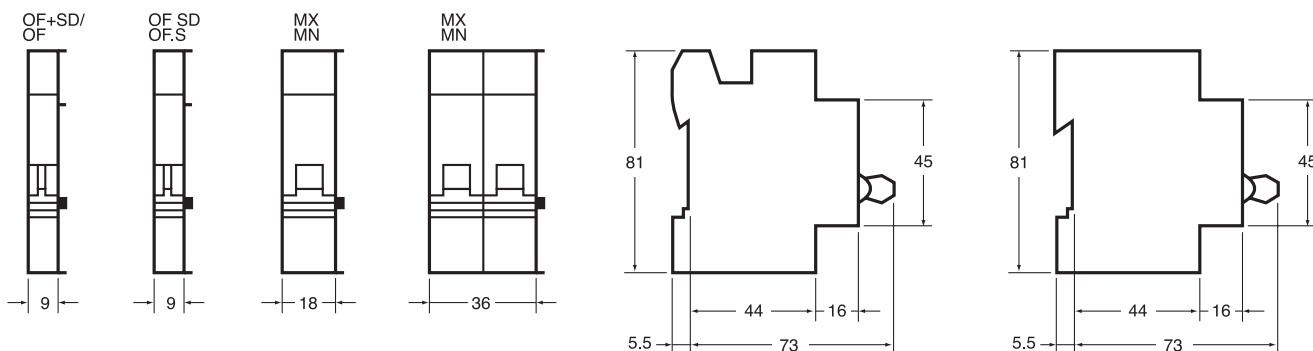
# Dimensions (mm)

## C60/RMG/MGV/DPN/DPN+Vigi

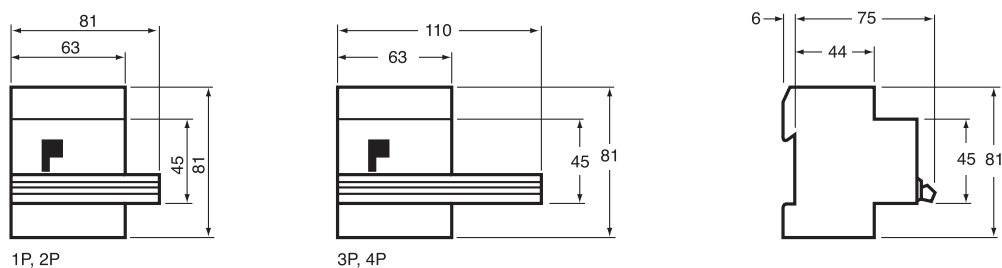


Part number	Description	Width in 18mm SP ways	A	B 1P	B 2P	B 3P	B 4P	D	E	F	G
<b>C60</b> +any code	Miniature circuit breakers	1,2,3,4	70	18	36	54	72	60	44	76	81
<b>RMG</b> +any code	Residual current devices	2,4	69		36		72	60	44	76	81
<b>MGV</b> +any code	Vigi rcd for C60H MCBs		70		36		72	60	44	75	81
<b>DPN</b>	1Ph+N MCB	1	70	18				60	44	75	81
<b>DPN+Vigi</b>	1Ph+N RCBO	2		36				60	44	75	81

## OF, SD, OF+SD/OF, MX, MN auxiliaries for C60H, C60H RCBOs



## TM C60 auxiliaries



## C60 RCBO

