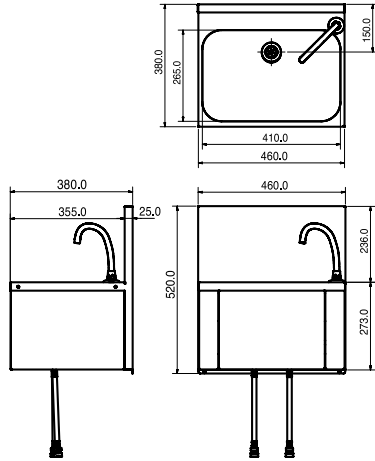


KNEE AND FOOT OPERATED WASHBASINS

IMAGE

TYPE/MODEL

ITEM NUMBER



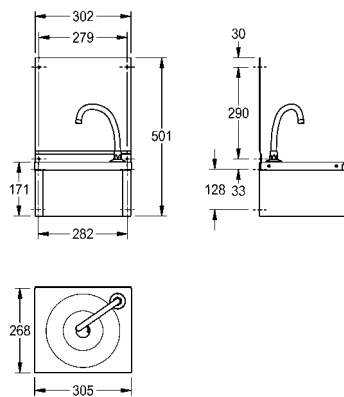
Knee operated washbasin

Knee operated wash hand basin is manufactured from stainless steel – satin polish finish, material thickness 0.9mm. Supplied complete with water spout positioned in rear right hand corner and 32mm waste outlet.

Note: The pre-mixing valve and the pipework linking the water spout to the knee operated front panel is all supplied with the washbasin. Wall mounted by fitting a top joggle strip under the upstand return and by screw fixing through the integral rear brackets. Screws and plugs are not supplied.

External: 460x380x520mm, bowl: 410x265mm

ANMX206



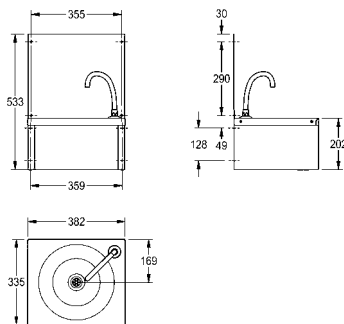
Knee operated washbasin

Knee operated wash hand basin is manufactured from stainless steel – satin polish finish, material thickness 0.9mm. Supplied complete with water spout positioned in rear right hand corner and 32mm waste outlet.

Note: The pre-mixing valve and the pipework linking the water spout to the knee operated front panel is all supplied with the washbasin. Wall mounted by fitting a top joggle strip under the upstand return and by screw fixing through the integral rear brackets. Screws and plugs are not supplied.

External: 305x268x501mm, bowl: 221x171mm

ANMX216



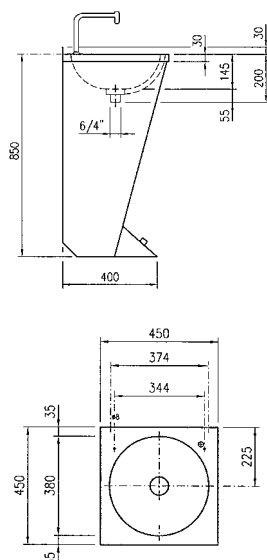
Knee operated washbasin

Knee operated wash hand basin is manufactured from stainless steel – satin polish finish, material thickness 0.9mm. Supplied complete with water spout positioned in rear right hand corner and 32mm waste outlet.

Note: The pre-mixing valve and the pipework linking the water spout to the knee operated front panel is all supplied with the washbasin. Wall mounted by fitting a top joggle strip under the upstand return and by screw fixing through the integral rear brackets. Screws and plugs are not supplied.

External: 382x335x520mm, bowl: 298x148mm

ANMX212



Single washbasin with tap and foot operation

Single washbasin with rear upstand, single tap hole, 32mm BSP waste fitting and complete with three sided pedestal manufactured from stainless steel. Fittings include swan-neck spout and foot-operated timed control push valve for use with a pre-mixed water supply. Screws and dowels included.

450x450x850mm

LP21

Spares:

Push button valve c/w connection hoses
Push button

F1010
F1015