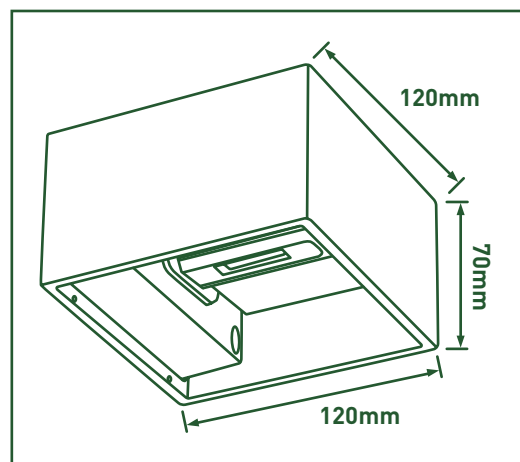
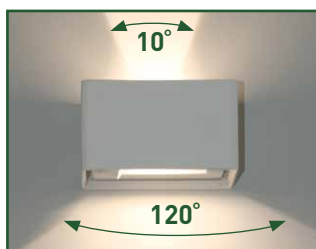


WALL LIGHT

Energy efficient designs for circulation areas and accent lighting applications.

- All wall lights can be used vertically or horizontally to give different lighting effects
- High efficiency, energy saving & low glare
- Adjustable beam angle from 10° - 120°
- Fixed output integrated driver



3 year
standard
WARRANTY

1 year
on site
WARRANTY

3 years standard and 1 year onsite warranty available in the UK. Rest of the world may vary, please ask your local distributor for more information.

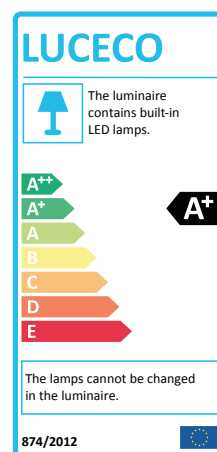
3000K WARM WHITE	WHITE FINISH	IP20 RATED	230v /50hz	CRI >80
-------------------------------	------------------------	----------------------	----------------------	-------------------

CAT NO.	LUMINAIRE LUMENS	WATTAGE	EFFICACY Lm/W
LKT536A	165	8W	21

STANDARDS

EN 60598-1	Luminaires - General requirements
EN 60598-2-1	Luminaires - Fixed
EN 61347-1	Lamp controlgear - Part 1: General and safety requirements
EN 61347-2-13	Lamp controlgear - Part 2-13: Particular requirements for d.c. or a.c. supplied electronic controlgear for LED modules
EN 55015	Limits and methods of measurement of radio disturbance characteristics of electrical lighting and similar equipment
EN 61547	Equipment for general lighting purposes - EMC immunity requirements
EN 61000-3-2	Electromagnetic compatibility (EMC) - Part 3-2: Limits - for harmonic current emissions
EN 62471	Photobiological safety of lamps and lamp systems
2002/96/EC	Waste Electrical & Electronic Equipment (WEEE)
2011/65/EU	Restriction of the use of certain Hazardous Substances in EEE (RoHS)
(EC) No 1907/2006	The Registration, Evaluation, Authorisation and Restriction of Chemicals (REACH)

▼ CONTINUED



Tech Help Line
UK - **03300 249 279**

Non UK - **+44 (0)1952 238 100**

Supplied by Nexus Industries Ltd
Nexus Distribution Centre, Stafford Park 1
Telford, Shropshire, TF3 3BD

Visit our website at

www.luceco.uk

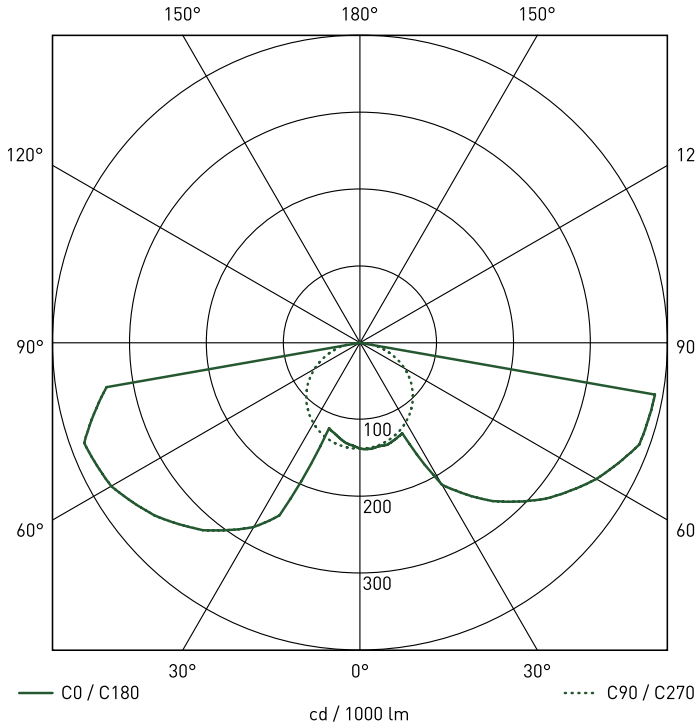
LUCECO PHOTOMETRIC DATA

LKT536A

LUMINAIRE PERFORMANCE

Light Output Ratio:	110.9%	Quantity:	1
Luminaire Efficacy:	22.87 lm/W	Designation:	LED
Light Distribution:	A20 ↓100.0% ↑0.0%	Colour Temperature:	3000K
CIE Flux Codes:	23 54 87 100 111	Luminous flux:	165 lm
UGR 4H 8H (20%, 50%, 70%) C0 / C90:	26.7 / 18.6	CRI:	80

LUMINOUS INTENSITY



	C0	C90	C180
0°	138	138	138
5°	139	138	134
10°	137	136	130
15°	138	133	124
20°	134	130	119
25°	130	125	248
30°	213	119	277
35°	241	113	298
40°	269	106	318
45°	292	97	334
50°	316	88	349
55°	335	78	362
60°	355	67	374
65°	371	55	378
70°	387	43	382
75°	388	30	358
80°	390	17	335
85°	0	6	0
90°	0	0	0
	cd / 1000 lm		

UNIFIED GLARE RATING (UGR) TABLE

REFLECTANCE OF

CEILING	0.7	0.7	0.5	0.5	0.3	0.7	0.7	0.5	0.5	0.3
WALLS	0.5	0.3	0.5	0.3	0.3	0.5	0.3	0.5	0.3	0.3
FLOOR CAVITY	0.2	0.2	0.2	0.2	0.2	0.2	0.2	0.2	0.2	0.2

ROOM DIMENSION

		VIEWED CROSSWISE					VIEWED ENDWISE				
x	y										
2H	2H	18.4	20.4	18.8	20.7	21.0	12.6	14.6	13.0	14.9	15.2
	3H	21.8	23.7	22.2	24.0	24.3	13.6	15.4	14.0	15.7	16.1
	4H	23.6	25.3	24.0	25.6	26.0	13.9	15.7	14.3	16.0	16.4
	6H	25.2	26.9	25.6	27.2	27.6	14.2	15.9	14.6	16.2	16.6
	8H	25.2	26.8	25.6	27.1	27.5	14.3	15.9	14.7	16.3	16.7
	12H	25.1	26.7	25.5	27.0	27.4	14.4	15.9	14.8	16.3	16.7
4H	2H	19.2	20.9	19.6	21.3	21.6	16.0	17.7	16.3	18.0	18.4
	3H	22.9	24.4	23.3	24.8	25.2	17.7	19.2	18.1	19.6	20.0
	4H	24.9	26.3	25.3	26.7	27.1	18.4	19.7	18.8	20.1	20.6
	6H	26.7	27.9	27.1	28.4	28.8	18.6	19.8	19.0	20.3	20.7
	8H	26.7	27.9	27.2	28.3	28.7	18.6	19.8	19.1	20.2	20.7
	12H	26.7	27.8	27.2	28.2	28.7	18.7	19.8	19.2	20.2	20.7
8H	4H	25.3	26.5	25.8	26.9	27.4	20.7	21.9	21.2	22.3	22.8
	6H	27.4	28.4	27.8	28.8	29.3	21.6	22.6	22.1	23.1	23.6
	8H	27.5	28.3	27.9	28.8	29.3	22.0	22.9	22.5	23.4	23.8
	12H	27.4	28.2	27.9	28.7	29.2	22.1	22.9	22.6	23.4	23.9
12H	4H	25.4	26.5	25.9	26.9	27.4	21.3	22.4	21.8	22.8	23.3
	6H	27.6	28.4	28.1	28.9	29.4	22.6	23.4	23.1	23.9	24.4
	8H	27.6	28.3	28.1	28.8	29.3	23.1	23.8	23.6	24.3	24.8