



Essentials
TV WALL MOUNTS

TECHNICAL DATA SHEET: LPSRBT400-RO
LOW PROFILE VARIABLE TILT TV WALL MOUNT

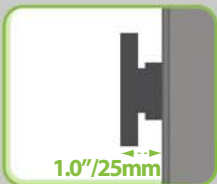
Simple, safe and attractive

The Ross Essentials series TV wall mounts offer a simple and elegant solution to wall mounting of a flat panel TV. They offer a range of adjustability features and articulation formats to suit every mounting situation and every customer preference for easy and convenient TV positioning.

Each format is available in a range of sizes to permit safe and efficient mounting of almost any brand of flat screen TV.

Features:

- Variable tilt action for more flexible viewing. TV screen can be positioned to avoid screen glare and reflections
- Low profile design mounts TV only 25mm from wall
- Built-in spirit level for accurate installation
- Pull-cord feature for easy release when dismantling TV
- Optional security screw feature



Technical Specifications:

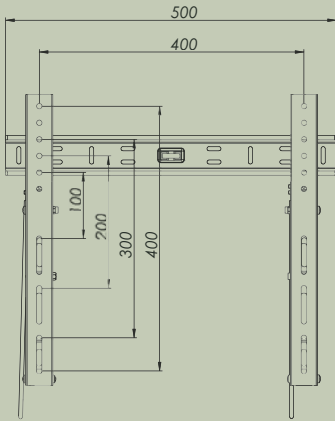
Max Load	Distance from Wall		Swivel Range	Tilt Range	No. of Articulation Points	Mounting pattern	VESA Compatible:
	Max (Extended)	Min (folded)					
40Kg/88lbs	n/a	25mm/1.0"	n/a	+0/-15°	0	Double Stud & Solid Wall	100x100-400x400



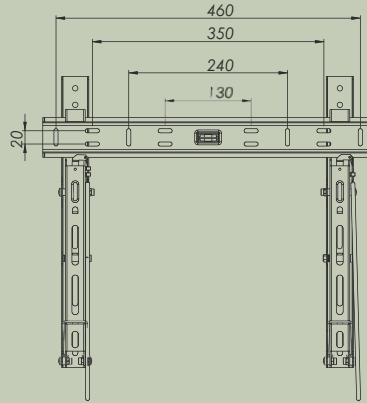


DIMENSIONS & SPECIFICATIONS SHEET: LPSRBT400-RO
LOW PROFILE VARIABLE TILT TV WALL MOUNT

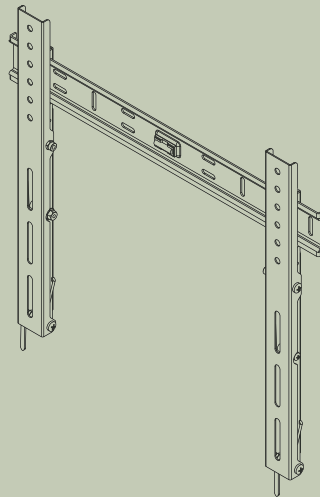
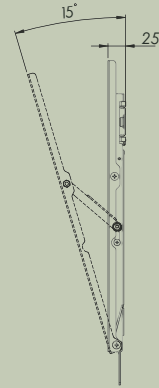
VESA Details



Mounting Hole Details



Min Profile



All dimensions are in mm

Packaging Information:

Product Number	Description	Product Packaging		Outer Packaging		
		Type	Barcode	Type	Qty in Box	Barcode
LPSRBT400-RO	Low Profile Variable Tilt TV Wall Mount	Colour Gift Box	5015056 522388	Brown Outer with Label	5	05015056523293

Weight & Dimensions:

Product		Net Weight	Product Box			Outer Box		
Extended	Folded		Dimensions	Gross Weight	Cubic	Dimensions	Gross Weight	Cubic
50 x 44 x 2.5 cm	n/a	1.6kg	52 x 17 x 3 cm	1.9kg	0.0027m ³	53.5 x 18 x 20 cm	10kg	0.0193m ³
19.69" x 17.32" x 1"	n/a	3.52lbs	20.47" x 6.69" x 1.18"	4.18lbs	0.0937ft ³	21.06" x 7.09" x 7.87"	22lbs	0.6802ft ³