

PRESENCE DETECTOR

BATTEN MOUNT PIR

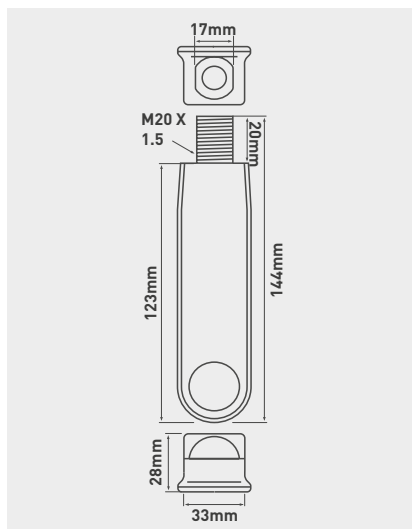
- Integrated unit - no separate power supply required
- Suitable for a wide range of luminaires
- Supplied with comprehensive fitting kit
- Retrofit solution

DIMMING DETECTOR

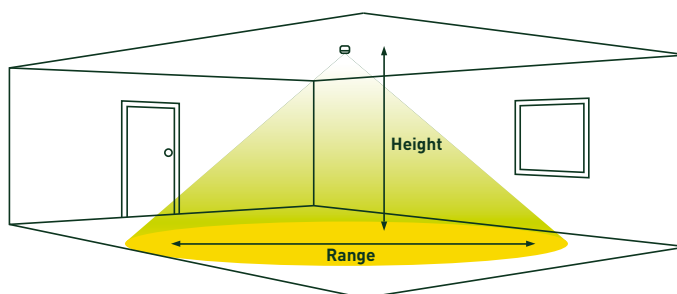
- Scene setting and recall
- Suitable for all lighting types
- Manual dimming with IR



CAT NO.	DESCRIPTION	LOAD RATING
LPC3BSP65	Switching PIR	2A
LPC3BDP65	Switching Direct Dim DALI/DSI	N/A



DETECTION PATTERN



REMOTE CONTROL

FOR CEILING MOUNT PIR

Our range of infrared (IR) handsets have been designed to allow simple configuration and maximum user convenience.

There's a handset to suit every user whether it's the contractor or building manager making a simple adjustment to a single detector, or a room user who simply wishes to override a setting or switch between pre-programmed scenes. Compatible with all Luceco sensors.



LPCUHC – Commissioning handset

- Compact infrared handset
- Basic programming of IR enabled products



LPCUSER – User handset

- Simple scene setting
- On/off, raise/lower