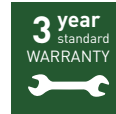
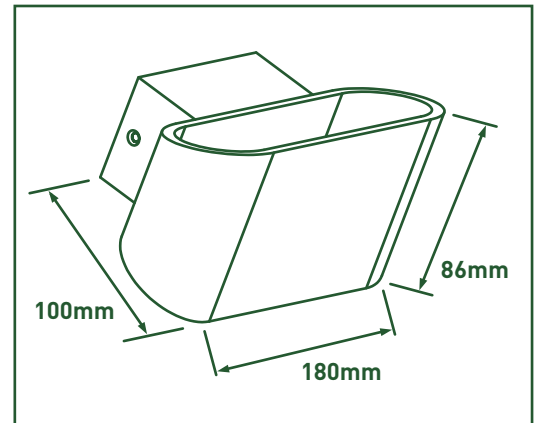


## WALL LIGHT

Energy efficient designs for circulation areas and accent lighting applications.

- All wall lights can be used vertically or horizontally to give different lighting effects
- High efficiency, energy saving & low glare
- Fixed output integrated driver



3 years standard and 1 year onsite warranty available in the UK. Rest of the world may vary, please ask your local distributor for more information.

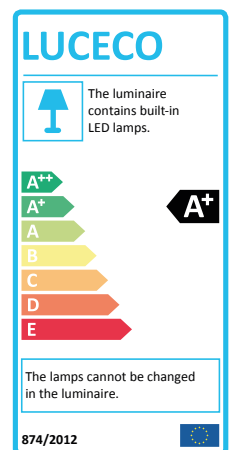
<b>3000K WARM WHITE</b>	<b>BEAM ANGLE 150°</b>	<b>WHITE FINISH</b>	<b>IP20 RATED</b>	<b>230v /50hz</b>	<b>CRI &gt;80</b>
-------------------------	------------------------	---------------------	-------------------	-------------------	-------------------

CAT NO.	LUMINAIRE LUMENS	WATTAGE	EFFICACY Llm/W
LKT393A	255	8.3W	31

### STANDARDS

EN 60598-1	Luminaires - General requirements
EN 60598-2-1	Luminaires - Fixed
EN 61347-1	Lamp controlgear - Part 1: General and safety requirements
EN 61347-2-13	Lamp controlgear - Part 2-13 : Particular requirements for d.c. or a.c. supplied electronic controlgear for LED modules
EN 55015	Limits and methods of measurement of radio disturbance characteristics of electrical lighting and similar equipment
EN 61547	Equipment for general lighting purposes - EMC immunity requirements
EN 61000-3-2	Electromagnetic compatibility (EMC) - Part 3-2: Limits - for harmonic current emissions
EN 62471	Photobiological safety of lamps and lamp systems
2002/96/EC	Waste Electrical & Electronic Equipment (WEEE)
2011/65/EU	Restriction of the use of certain Hazardous Substances in EEE (RoHS)
(EC) No 1907/2006	The Registration, Evaluation, Authorisation and Restriction of Chemicals (REACH)

▼ CONTINUED



Tech Help Line  
UK - **03300 249 279**  
Non UK - **+44 (0)1952 238 100**

Supplied by Nexus Industries Ltd  
Nexus Distribution Centre, Stafford Park 1  
Telford, Shropshire, TF3 3BD

Visit our website at  
**www.luceco.uk**

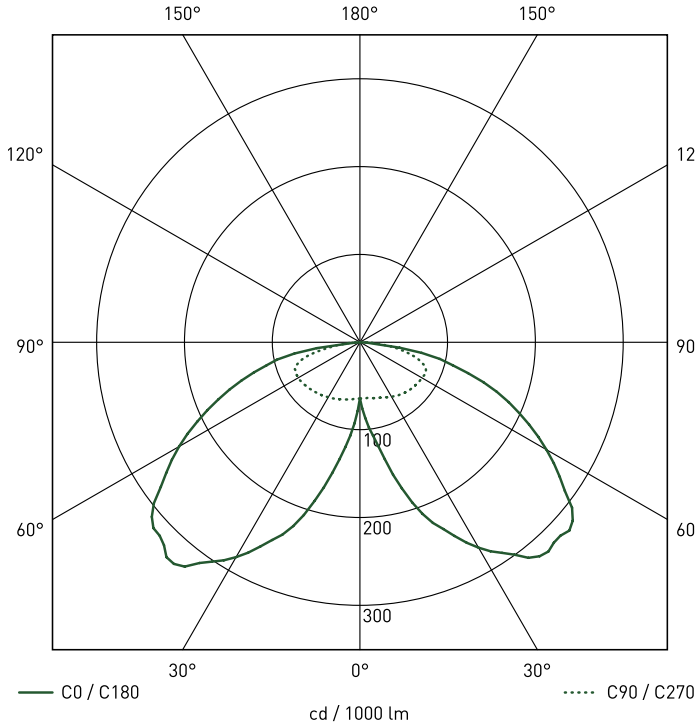
# LUCECO PHOTOMETRIC DATA

## LKT393A

### LUMINAIRE PERFORMANCE

Light Output Ratio:	102.9%	Quantity:	1
Luminaire Efficacy:	32.8 lm/W	Designation:	LED
Light Distribution:	A20 ↓100.0% ↑0.0%	Colour Temperature:	3000K
CIE Flux Codes:	28 63 90 100 103	Luminous flux:	255 lm
UGR 4H 8H (20%, 50%, 70%) C0 / C90:	21.5 / 21.2	CRI:	80

### LUMINOUS INTENSITY



	C0	C90	C180
0°	64	64	64
5°	92	64	100
10°	120	65	136
15°	164	66	179
20°	208	67	223
25°	239	69	253
30°	270	72	283
35°	294	74	306
40°	318	76	330
45°	317	78	319
50°	316	79	309
55°	281	81	273
60°	246	82	238
65°	206	83	198
70°	166	78	158
75°	118	65	118
80°	71	45	76
85°	0	20	0
90°	0	0	0
	cd / 1000 lm		

### UNIFIED GLARE RATING (UGR) TABLE

#### REFLECTANCE OF

CEILING	0.7	0.7	0.5	0.5	0.3	0.7	0.7	0.5	0.5	0.3
WALLS	0.5	0.3	0.5	0.3	0.3	0.5	0.3	0.5	0.3	0.3
FLOOR CAVITY	0.2	0.2	0.2	0.2	0.2	0.2	0.2	0.2	0.2	0.2

#### ROOM DIMENSION

x		y		VIEWED CROSSWISE						VIEWED ENDWISE				
2H	2H	2H	17.5	19.4	17.9	19.7	20.0	15.3	17.1	15.6	17.5	17.8		
	3H	3H	19.0	20.8	19.4	21.1	21.5	17.3	19.0	17.7	19.4	19.7		
	4H	4H	19.6	21.2	20.0	21.6	21.9	18.2	19.8	18.5	20.2	20.5		
	6H	6H	19.9	21.5	20.3	21.8	22.2	18.8	20.3	19.2	20.7	21.1		
	8H	8H	19.9	21.4	20.3	21.8	22.2	18.9	20.4	19.3	20.8	21.2		
	12H	12H	19.9	21.4	20.3	21.7	22.1	18.9	20.4	19.4	20.8	21.2		
4H	2H	2H	18.4	20.1	18.8	20.4	20.8	16.9	18.6	17.3	18.9	19.3		
	3H	3H	20.2	21.7	20.6	22.1	22.5	19.2	20.6	19.6	21.0	21.4		
	4H	4H	21.0	22.3	21.4	22.7	23.1	20.2	21.5	20.7	21.9	22.4		
	6H	6H	21.4	22.6	21.9	23.0	23.5	20.9	22.1	21.4	22.5	23.0		
	8H	8H	21.5	22.6	22.0	23.0	23.5	21.2	22.3	21.6	22.7	23.1		
	12H	12H	21.5	22.5	22.0	23.0	23.4	21.3	22.3	21.8	22.8	23.3		
8H	4H	4H	21.6	22.7	22.0	23.1	23.6	20.9	22.0	21.4	22.5	22.9		
	6H	6H	22.2	23.2	22.7	23.6	24.1	22.0	22.9	22.4	23.4	23.8		
	8H	8H	22.4	23.2	22.9	23.7	24.2	22.4	23.3	22.9	23.8	24.2		
	12H	12H	22.4	23.1	22.9	23.6	24.1	22.7	23.4	23.2	23.9	24.4		
12H	4H	4H	21.7	22.7	22.2	23.1	23.6	21.0	22.1	21.5	22.5	23.0		
	6H	6H	22.5	23.3	23.0	23.8	24.3	22.2	23.0	22.7	23.5	24.0		
	8H	8H	22.6	23.3	23.1	23.8	24.3	22.7	23.4	23.2	23.9	24.4		