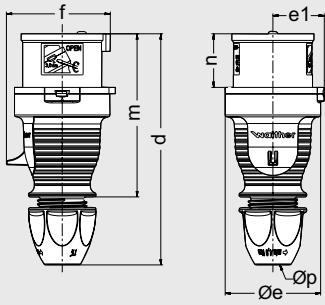


Plugs
- screwless
- with screw terminals

3



Amp.	16	16	32	32	32
Poles	4	5	3	4	5
d	150-161	150-161	173-185	173-185	174-183
Øe	65	65	72	72	72
e1	35	35	38,5	38,5	38,5
f	63	71	75	75	83
m	111	111	128	128	128
n	37	37	45,5	45,5	45,5
Øp	7,5 - 18,5	7,5 - 18,5	10 - 22,5	10 - 22,5	10 - 22,5

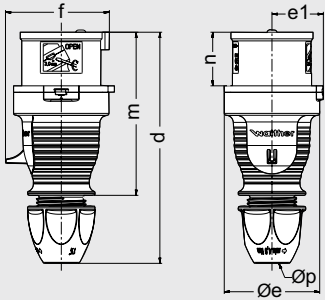
Screwless plugs, with insulation displacement connection,
with exterior cable gland,
IP 44 ▲

Conductor cross sections:

16 A: 1 - 2,5 mm² / 32 A: 2,5 - 6 mm²

Cable diameters:

16 A: 7,5 - 18,5 mm / 32 A: 10 - 22,5 mm



Amp.	16	16	32	32	32
Poles	4	5	3	4	5
d	150-161	150-161	173-185	173-185	174-183
Øe	65	65	72	72	72
e1	35	35	38,5	38,5	38,5
f	63	71	75	75	83
m	111	111	128	128	128
n	37	37	45,5	45,5	45,5
Øp	7,5 - 18,5	7,5 - 18,5	10 - 22,5	10 - 22,5	10 - 22,5

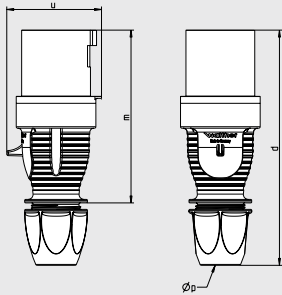
Plugs, screw terminal connection,
with exterior cable gland,
IP 44 ▲

Conductor cross sections:

16 A: 1 - 2,5 mm² / 32 A: 2,5 - 6 mm²

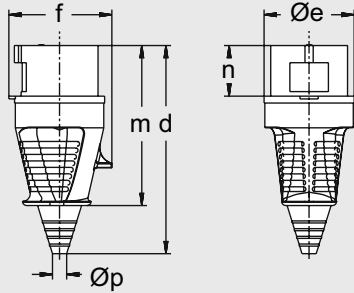
Cable diameters:

16 A: 7,5 - 18,5 mm / 32 A: 10 - 22,5 mm



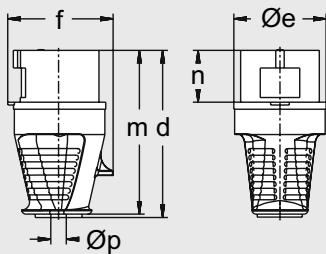
Amp.	63		
Poles	3	4	5
d	246	246	246
u	95	95	95
m	174	174	174
Øp	14-33	14-33	14-33

Plugs, screw terminal connection,
with exterior cable gland,
IP 44 ▲



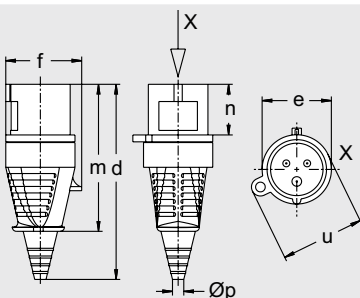
Amp.	16	63		
Poles	3	3	4	5
d	143	252	252	252
Øe	51	81	81	81
f	60	97	97	97
m	108	192	192	192
n	37	67	67	67
Øp	7/13	15/33	15/33	15/33

Plugs, screw terminal connection,
with flexible cable entry,
IP 44 ▲



Amp.	16
Poles	3
d	111
Øe	51
f	60
m	108
n	37
Øp	8/15

Plugs, screw terminal connection,
with inverted cable entry,
IP 44 ▲



Amp.	16
Poles	3
d	143
e	51
f	60
m	108
n	37
Øp	7/13
u	61

Plugs, screw terminal connection,
with flexible cable entry,
with eye for padlock, for locking with panel
socket 512 306, 512 304 and 512 309,
IP 44 ▲

Ampère	Poles	110 V 50 a. 60 Hz			230 V 50 a. 60 Hz			400 V 50 a. 60 Hz			500 V 50 a. 60 Hz			> 50 - 500 V 100 - 300 Hz			> 50 - 500 V over 300 - 500 Hz			
		3pole 4h	4pole 4h	5pole 4h	3pole 6h	4pole 9h	5pole 9h	3pole 9h	4pole 6h	5pole 6h	3pole 7h	4pole 7h	5pole 7h	3pole 10h	4pole 10h	5pole 10h	3pole 2h	4pole 2h	5pole 2h	



Part numbers

Ampère	Poles	110 V	230 V	400 V	500 V	> 50 - 500 V	> 50 - 500 V	Availability	Image
16	4	210 404 SL	210 409 SL	210 406 SL	210 407 SL	210 410 SL	210 402 SL	10/60	
16	5	210 504 SL	210 509 SL	210 SL				10/60	
32	3	230 304 SL	230 306 SL	230 309 SL				10/60	
32	4	230 404 SL	230 409 SL	230 406 SL	230 407 SL	230 410 SL	230 402 SL	10/60	
32	5	230 504 SL	230 509 SL	230 SL				10/60	
32	3			230 309				10	
16	4	210 404	210 409	210 406	210 407	210 410	210 402	10	
16	5	210 504	210 509	210				10/60	
32	3	230 304	230 306	230 309				10	
32	4	230 404	230 409	230 406	230 407	230 410	230 402	10	
32	5	230 504	230 509	230				10/60	
32	3			230 309				10	
63	3	262 304	262 306	262 309				5	
63	4	262 404	262 409	262 406	262 407	262 410	262 402	5	
63	5	262 504	262 509	262				5	
63	5			262 Ni				5	
16	3	210 304	210 306	210 309				10	
16	5			210 Ni				10	
32	5			230 Ni				10	
63	3	260 304	260 306	260 309				5	
63	4	260 404	260 409	260 406	260 407	260 410	260 402	5	
63	5	260 504	260 509	260				5	
63	5			260 Ni				5	
16	3	215 304	215 306	215 309				10	
16	3	212 304	212 306	212 309				10	

Availability of blue printed (or not listed) frequencies and voltages up to 690 V on request!