

Domestic | Commercial | Industrial

Call 01823 690 290

www.nationalventilation.co.uk

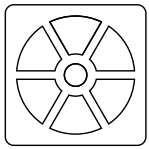


**NATIONAL
VENTILATION**

more knowledge, better stock, faster delivery

October 2009 Issue 9





NATIONAL VENTILATION

...more knowledge, better stock, faster delivery.

Introduction

National Ventilation manufactures and distributes **Monsoon** ventilation products suitable for use in domestic, commercial and industrial premises.

National Ventilation is always adding to the Monsoon range of products, now with almost 6000 stock lines. You'll find a new Group E (Green) section in the price list which contains our newly developed **Energysaver™** range. Designed and researched with documents L and F in mind you'll find a range of DC and EC energy saving ventilation solutions as well as the unique patented designed **Energysaver™** Grille and Kits.

It's easy to see why National Ventilation is fast becoming the preferred choice for the industry.

Our website **www.nationalventilation.co.uk** will continue to develop throughout this year but is already packed with technical information and useful data.

For sales, technical, site visits, specifications, design and much more call – 01823 609290

All prices exclude V.A.T.
E. & O.E.

The data contained in this price list are subject to change without prior notice.

Prices effective from 1st October 2009.

Discount Structure and Terms

- Group A-F** Domestic Fans, Systems and Firebrake
- Group E** Energysaver™ Grilles, Fans and Systems
- Group A-D** Domestic Ducting, Accessories and Kits
- Group B** Commercial and Industrial Fans, Ducting and Accessories

Carriage paid on orders over £ net for next day delivery within the UK*

*Subject to terms and conditions- If ordered by 3pm excludes northern Scotland, Ireland, Isle of Man, Channel Islands, please contact us for delivery rates and anticipated dates to these areas. We also export to other countries on request.

Group A(F) Domestic Fans, Systems and Firebrake.

Axial Fans	Classic Range	Page 4-5
	Disc Fans	Page 4
	Shower Fan Kits	Page 4
	Base Slim Line	Page 5
	Monsoon PIR Range	Page 6 New
	Auto Shuttered Fans	Page 6
Centrifugal Fans	OC Bathroom Fans	Page 7
	OC Kitchen Fans	Page 7
	Monsoon Diverso Surface	Page 7 New
	Monsoon Diverso Flush Mounted	Page 7 New
	In-Line Range	Page 8
	External Wall Fan	Page 8
Whole House Extraction	Multi Room Extract Units	Page 9
Circulation Fan	Monsoon Sweep Fans	Page 9
Firebrake	Firebrake Connectors for Duct	Page 9
	Firebrake Electrical	Page 9

Group E Energysaver™ Grilles, Fans and Systems.

Grilles and Kits	Energysaver™ Grilles	Page 12 New
	Energysaver™ Wall Kits	Page 12 New
	Energysaver™ Passive Vent	Page 12 New
	Energysaver™ High Rise Kits	Page 12 New
Axial Fans	Monsoon Energysaver™ Bathroom Fans	Page 13 New
	Monsoon Energysaver™ Kitchen Fans	Page 13 New
Whole House Systems	Monsoon Energysaver™ Multi Room Systems	Page 13 New
	Monsoon Energysaver™ Positive Pressure	Page 13 New
	Monsoon Energysaver™ Heat Recovery Units	Page 14 New
In-Line Fans	Monsoon Energysaver™ Mixed Flow Range	Page 13 New

Group A(D) Domestic Ducting, Accessories and Kits.

Grilles and Outlets	Plastic	Page 18-22
	Stainless Steel	Page 19
	Airbricks and Adaptors	Page 20
	High Rise Kits	Page 22
	Ventilators	Page 22
Soil Ventilation Products	Roof Cowl	Page 22
	Roof Weathering Slate	Page 22
	Condensation Traps	Page 22 & 27
Flat Channel Ducting	110mm x 54mm System 100	Page 23-24
	204mm x 60mm Supertube 125	Page 23-24
	220mm x 90mm Megaduct 220	Page 23-24
	234mm x 29mm Polyvent 225	Page 25
	308mm x 29mm Polyvent 300	Page 25
	Sealants	Page 31
Round Pipe Ducting	100mm Easipipe	Pages 26-27
	125mm Easipipe	Pages 26-27
	150mm Easipipe	Pages 26-27
	ThermaPipe Insulated	Page 28
	Plastic Reducers	Page 27
	Sealants	Page 31
Flexible Ducting	Round Flexible Ducting	Page 29
	Semi Rigid Ducting	Page 29
	Rectangular Ducting	Page 31
Kits and Sets	Air Supply Sets	Page 32
	Cooker Hood and Tumble Dryer Kits	Page 32 & 35
	Wall Outlet Sets	Page 33
	Flat Channel Kits	Page 34 & 36

Group B Commercial and Industrial, Ducting and Accessories.

Commercial Axial Fans	Shuttered and Reversible Fans	Page 38-39
	Shuttered Roof Fans	Page 39
	Built-In Flush Mounted Fans	Page 39
Commercial In-Line Range	Centrifugal Metal Cased In-Line	Page 39
	Centrifugal Acoustic Cabinet In-Line	Page 40
	Centrifugal False Ceiling Fan	Page 40
	Centrifugal Radon Mitigation Fan	Page 38 New
	Mixed Flow In-Line Range	Page 39
	Mixed Flow Roof Mounted Range	Page 40
Industrial Fan Range	Light Duty Plate Fans	Page 42
	Compact Heavy Duty Plate Fans	Page 42 New
	Sickle Blade Plate Fans	Page 43 New
	Flame/Explosion Proof Plate Fans	Page 44
	Axial Roof Fans	Page 44
	Centrifugal Chimney Fans	Page 46
	Compact Cased Axial Fans	Page 46 New
	Contra-Rotating Cased Axial Fans	Page 47 New
	Sickle Blade Cased Axial Fan	Page 47 New
Cooling Fans	Re-Circulating Fans	Page 49
	Industrial Ceiling Sweep Fans	Page 49
	Portable Mancoolers	Page 49
Controllers	Speed Controllers	Page 50
	Humidity Controllers	Page 50
	Overrun Timers	Page 50
	Passive Infrared Sensors	Page 50
	Differential Duct Pressure Switch	Page 50
	Fan Reversing Switch	Page 51
	Door Entry Switch	Page 51
Fire Protection	Intumescent	Page 51-52
	Fire Dampers	Page 52
Ducting & Accessories	Flexible Aluminium	Page 53
	Flexible Insulated Aluminium	Page 53
	Flexible Acoustic Aluminium	Page 53
	Flexible Heavy Duty Vinyl	Page 53
	Semi-Rigid Aluminium	Page 53
	Rigid Spiral Ducting	Page 53
	Ducting Accessories	Page 54-58
	Roof Cowls	Page 58
	Profiled/Corrugated/Flat Pipe Flashings	Page 58 New

Grilles and Diffusers	Egg Crate Grilles	Page 59
	Non Vision Door Sets	Page 59
	Four Way Diffusers	Page 59
	Single/Double Deflection Grilles	Page 60
	Fixed Blade Louvre	Page 60
	Circular Air Valves	Page 60
	Pressed Steel Grilles	Page 61
	Gravity Shutters	Page 61
	External Weather Louvre	Page 61
	Outlet Protection Guards	Page 61
	Grille Spigot Plate Adaptors	Page 62
	Grille Box Adaptors	Page 62

Extended Range and Services	Page 64-65
Useful Information	Page 66



GROUP 'A(F)'
Fans & Firebrake

100mm 'Classic' Axial

Features:

- BSI Kitemarked to BS EN 60335 for electrical safety
- Tested by BSRIA for airflow performance to ISO 5801
- Sound tested by SRL to ISO 3741:1988
- Fans exceed the requirements of the Building Regulations
- Tough white high gloss ABS (fire retardant and UV stabilised)
- 3 year guarantee



NEW

CODE	DESCRIPTION	PRICE
S1	Standard Bathroom Fan (94m³/hr)	£17.10
P1	Pull Switch Bathroom Fan (94m³/hr)	£18.07
T1	Timer Bathroom Fan (94m³/hr)	£22.00
H1	Humidistat c/w Timer Bathroom Fan (94m³/hr)	£36.34
HP1	Humidistat c/w Pull Switch Bathroom Fan (94m³/hr)	£39.43
AST1	Auto Shutter c/w Timer Bathroom Fan (94m³/hr)	£29.40
SL1*	SELV 12 Volt Standard Bathroom Fan (94m³/hr)	£20.43
1K	Wall Fixing Kit	** To suit all 100mm Monsoon Classic fans apart from AST1 & HP1 models.
1W	Window Fixing Kit	£6.23
F1CHR**	'Classic' Chrome Fascia	£9.23
		£8.65

*SL1 Fan requires 12 Volt Transformer, the options of timer, pull switch, humidistat etc contained within the transformer.

Transformers V Range



CODE	DESCRIPTION	PRICE
VS	12 Volt Transformer Standard	£39.23
VP	12 Volt Transformer Pull Switch	£41.13
VT	12 Volt Transformer Timer	£44.80
VH	12 Volt Transformer Humidistat c/w Timer	£61.30
VHP	12 Volt Transformer Humidistat c/ Pull Switch	£67.06

100mm Slim-line 'DiscFan'



CODE	DESCRIPTION	PRICE
DS1	Standard Axial DiscFan (77m³/hr)	£17.10
DT1	Timer Axial DiscFan (77m³/hr)	£22.00
DH1	Humidistat c/w Timer Axial DiscFan (77m³/hr)	£36.34
DF1CHR*	DiscFan Chrome Fascia * Suits all 100mm DiscFans	£8.65

100mm 'Classic' Axial In-line Fans and Kits

Features:

- Exceeds Building Regulations for Bathroom and Toilets
- Ideal for installation within shower cubicles
- BSI Kitemarked to BS EN 60335 for electrical safety
- Tough white high gloss ABS (fire retardant and UV stabilised)
- Quick and easy installation
- Kits include two grilles, 3m of flexible ducting and fixings
- 3 year guarantee



NEW

NEW

CODE	DESCRIPTION	PRICE
S1D	Standard Duct Fan (58m³/hr)	£18.14
S1DK	Standard Duct Fan & Ceiling Kit (58m³/hr)	£29.14
S1DKCH	Standard Duct Fan & Ceiling Kit Chrome (58m³/hr)	£36.27
T1D	Timer Duct Fan (58m³/hr)	£24.16
T1DK	Timer Duct Fan & Ceiling Kit (58m³/hr)	£33.92
T1DKCH	Timer Duct Fan & Ceiling Kit Chrome (58m³/hr)	£41.05

100mm 'VentLight' Kits



CODE	DESCRIPTION	PRICE
LS1DK	Standard Fan & VentLight Ceiling Kit White (58m³/hr)	£57.30
LS1DKCH	Standard Fan & VentLight Ceiling Kit Chrome (58m³/hr)	£58.22
LT1DK	Timer Fan & VentLight Ceiling Kit White (58m³/hr)	£68.18
LT1DKCH	Timer Fan & VentLight Ceiling Kit Chrome (58m³/hr)	£73.35

100mm In-line Turbo Fan Kits



NEW

CODE	DESCRIPTION	PRICE
S1DK TURBO	Standard Duct Fan & Ceiling Kit (187m³/hr)	£66.54
S1DKCH TURBO	Standard Duct Fan & Ceiling Kit Chrome (187m³/hr)	£73.67
T1DK TURBO	Timer Duct Fan & Ceiling Kit (187m³/hr)	£83.17
T1DKCH TURBO	Timer Duct Fan & Ceiling Kit Chrome (187m³/hr)	£90.30

150mm 'Classic' Axial

Features:

- Exceeds Building Regulations for kitchen, utility rooms and large bathrooms
- BSI Kitemarked to BS EN 60335 for electrical safety
- IPx4 Splash-proof rating
- Tough white high gloss ABS (fire retardant and UV stabilised)
- Quick and easy installation
- 3 year guarantee



NEW

CODE	DESCRIPTION	PRICE
S15	Standard Kitchen Fan (248m³/hr)	£27.44
P15	Pull Switch Kitchen Fan (248m³/hr)	£27.97
T15	Timer Kitchen Fan (248m³/hr)	£35.95
H15	Humidistat c/w Timer Kitchen Fan (248m³/hr)	£56.91
HP15	Humidistat c/w Pull Switch Kitchen Fan (248m³/hr)	£64.12
ASP15	Auto Shutter c/w Pull Switch Kitchen Fan (248m³/hr)	£51.02

150mm Axial In-line Fan



CODE	DESCRIPTION	PRICE
S15D	150mm Standard Duct Fan (224m³/hr)	£38.71
T15D	150mm Timer Duct Fan (224m³/hr)	£48.20

150mm Fixing Kits & Fascias

CODE	DESCRIPTION	PRICE
15K	Wall Fixing Kit	£9.82
15W	Window Fixing Kit	£16.11
15DK	Ceiling Fixing Kit	£39.62

100mm & 150mm 'Base' Axial

Features:

- Slim-line design
- Fans exceed the requirements of the UK Building Regulations
- Fans are made from tough material (fire retardant UV stabilised)
- Splash-proof rated
- 3 year guarantee



CODE	DESCRIPTION	PRICE
B1S	100mm Standard Wall Fan (95m³/hr)	£11.33
B1P	100mm Pull Switch Wall Fan (95m³/hr)	£11.98
B1T	100mm Timer Wall Fan (95m³/hr)	£14.58
B1TP	100mm Timer/Pull Switch Wall Fan (95m³/hr)	£17.80
B1HT	100mm Humidistat/Timer Wall Fan (95m³/hr)	£24.09
B1HTP	100mm Humidistat/Timer/Pull Wall Fan (95m³/hr)	£29.09
B1SL	100mm 12v Wall Fan (needs transformer*) (95m³/hr)	£15.55
BK1	100mm Wall Fixing Kit	£4.13



B15S	150mm Standard Wall Fan (294m³/hr)	£18.20
B15P	150mm Pull Switch Wall Fan (294m³/hr)	£18.54
B15T	150mm Timer Wall Fan (294m³/hr)	£23.84
B15TP	150mm Timer/Pull Switch Wall Fan (294m³/hr)	£24.68
B15HT	150mm Humidistat/Timer Wall Fan (294m³/hr)	£37.73
B15HTP	150mm Humidistat/Timer/Pull Wall Fan (294m³/hr)	£42.50
BK15	150mm Wall Fixing Kit	£6.51

'Base' Round Axial



CODE	DESCRIPTION	PRICE
BR1S	100mm Round Standard Wall Fan (98m³/hr)	£11.33
BK1	100mm Wall Fixing Kit	£4.13
BR15S	150mm Round Standard Wall Fan (292m³/hr)	£20.84
BK15	150mm Wall Fixing Kit	£6.51

'Base' In-line Axial



CODE	DESCRIPTION	PRICE
B1DS	100mm Standard In-line Duct Fan (107m ³ /hr)	£12.02
B1DT	100mm Timer In-line Duct Fan (107m ³ /hr)	£16.02
BK1D	100mm In-line Kit	£7.30
B15DS	150mm Standard In-line Duct Fan (305m ³ /hr)	£21.00
B15DT	150mm Timer In-line Duct Fan (305m ³ /hr)	£29.93
15DK	Ceiling Fixing Kit	£16.80

Monsoon PIR Axial Range

- Features:
- IPX4 Protection
 - Slim-line original and innovative design
 - Suitable for wall, window and ceiling installations
 - Powerful performance with low dB (A)



CODE	DESCRIPTION	PRICE
IN-10/4PIR	100mm Low Profile Bathroom PIR Fan (105m ³ /hr)	£79.44
IN-15/6PIR	150mm Low Profile Kitchen PIR Fan (330m ³ /hr)	£109.83
1K	100mm Wall Kit	£6.23
1W-IN	100mm Window Kit	£15.54
15K	150mm Wall Kit	£9.82
15W-IN	150mm Window Kit	£19.44

Monsoon Shuttered Fan Range

- Features:
- Low noise
 - Long lasting ball bearing motor
 - Wall, ceiling or window mounting
 - 2 year guarantee
 - 3 sizes

100mm Auto Shutter Fan (OA)



CODE	DESCRIPTION	PRICE
OA10A	100mm Auto Shutter Standard (90m ³ /hr)	£61.96
OA10AT	100mm Auto Shutter c/w Timer (90m ³ /hr)	£75.75
OA10AM	100mm Shutters with Pull cord (90m ³ /hr)	£53.97
OW10	100mm Window Kit	£12.13
OK10	100mm Wall Kit	£6.27

125mm Auto Shutter Fan (OA)



CODE	DESCRIPTION	PRICE
OA12A	125mm Auto Shutter Standard (140m ³ /hr)	£71.10
OA12AT	125mm Auto Shutter c/w Timer (140m ³ /hr)	£86.75
OA12AM	125mm Shutters with Pull Cord (140m ³ /hr)	£63.89
OW12	125mm Window Kit	£14.87
OK12	125mm Wall Kit	£8.13

150mm Auto Shutter Fan (OA)



CODE	DESCRIPTION	PRICE
OA15A	150mm Auto Shutter Standard (250m ³ /hr)	£80.58
OA15AT	150mm Auto Shutter c/w Timer (250m ³ /hr)	£94.36
OA15AM	150mm Shutters with Pull cord (250m ³ /hr)	£72.21
OW15	150mm Window Kit	£16.21
OK15	150mm Wall Kit	£9.92

OC Centrifugal Range (OC)

Features:

- Quiet; ball bearing motor
- Wall or ceiling mountable
- All models have a moveable 100mm spigot
- Back draught shutter
- All 'OC' include filters as standard



*we are re-designing the OC range, product appearance may vary

CODE	DESCRIPTION	PRICE
OC100S	Bathroom Fan Standard (90m ³ /hr)	£51.74
OC100T	Bathroom Fan Timer (3mins – 20mins) (90m ³ /hr)	£61.68
OC100H	Bathroom Fan Humidistat (30% - 80%) (90m ³ /hr)	£68.66
OC300S	Kitchen Fan Standard (260m ³ /hr)	£98.22
OC300T	Kitchen Fan Timer (3mins – 20mins) (260m ³ /hr)	£111.45
OC300H	Kitchen Fan Humidistat (30% - 80%) (260m ³ /hr)	£125.54
OCF 1	Spare Filter for OC100's	£3.02
OCF 3	Spare Filter for OC300's	£3.21

OC Centrifugal Range 12 Volt (OC)



CODE	DESCRIPTION	PRICE
OC100LVS	Bathroom Fan Standard 12v (90m ³ /hr)	£96.32
OC100LVT	Bathroom Fan Timer 12v (1min – 25 mins) (90m ³ /hr)	£102.68
OC100LVP	Bathroom Fan Pull cord 12v (90m ³ /hr)	£100.72
OC100LVH	Bathroom Fan Humidistat 12v (60% – 80%) (90m ³ /hr)	£121.41
OC100LVHP	Bathroom Fan Humidistat & Pull cord 12v (90m ³ /hr)	£128.35
OCF 1	Spare Filter for OC100's	£3.02

Monsoon Diverso Centrifugal Range



Features:

- IPX5 Protection
- Surface mounted or built-in versions
- Rotating body to give various spigot positions



CODE	DESCRIPTION	PRICE
Diverso80	Bathroom Surface Mounted Fan (80m ³ /hr)	£58.86
Diverso80T	Bathroom Surface Fan c/w Overrun Timer (80m ³ /hr)	£76.53
Diverso80HT	Bathroom Surface Fan c/w Humidistat/Timer (80m ³ /hr)	£101.55
Diverso240	Kitchen Surface Mounted Fan (240m ³ /hr)	£104.49
Diverso240T	Kitchen Surface Fan c/w Overrun Timer (240m ³ /hr)	£122.16
Diverso240HT	Kitchen Surface Fan c/w Humidistat/Timer (240m ³ /hr)	£160.41
Diverso80-IN	Bathroom Flush Mounted Fan (80m ³ /hr)	£67.68
Diverso80T-IN	Bathroom Flush Fan c/w Overrun Timer (80m ³ /hr)	£86.82
Diverso80HT-IN	Bathroom Flush Fan c/w Humidistat/Timer (80m ³ /hr)	£113.84
Diverso240-IN	Kitchen Flush Mounted Fan (240m ³ /hr)	£113.34
Diverso240T-IN	Kitchen Flush Fan c/w Overrun Timer (240m ³ /hr)	£132.84
Diverso240HT-IN	Kitchen Flush Fan c/w Humidistat/Timer (240m ³ /hr)	£189.84

Accessories



CODE	DESCRIPTION	PRICE
D80F-CH	Bathroom Facia Chrome (Diverso 80)	£30.00
D80F-AL	Bathroom Facia Aluminium (Diverso 80)	£30.00
D240F-CH	Kitchen Facia Chrome (Diverso 240)	£40.00
D240F-AL	Kitchen Facia Aluminium (Diverso 240)	£40.00
D80RWK	Bathroom Recessed Wall Kit (Diverso 80)	£15.00
D240RWK	Kitchen Recessed Wall Kit (Diverso 240)	£20.00

Mixed Flow Fans (OCK, UMD)



Features:

- High performance and speed controllable
- Low noise
- Easy to install and maintain
- IPx4 rated

CODE	DESCRIPTION	PRICE	S/C
OCK135	100/125mm Canopy Fan (135m ³ /hr)	£48.13	MR0.5
UMD100	100mm Standard In-line Fan (187m ³ /hr)	£55.54	MR0.5
UMD100T	100mm Timer In-line Fan (187m ³ /hr)	£72.17	MR0.5
UMD125	125mm Standard In-line Fan (280m ³ /hr)	£63.00	MR0.5
UMD125T	125mm Timer In-line Fan (280m ³ /hr)	£84.00	MR0.5
UMD150	150mm Standard In-line Fan (680m ³ /hr)	£84.46	MR0.5
UMD150T	150mm Timer In-line Fan (680m ³ /hr)	£99.36	MR0.5

For larger models see page 39 and for Energysaving models see page 14

Plastic Cased Centrifugal Fans (UT)



Features:

- Suitable for long duct runs
- Speed controllable, ball bearing motor
- Moisture resistant IPx4, thermal protection
- Complete with detachable mounting bracket

CODE	DESCRIPTION	PRICE	S/C
UT 100	100mm In-line Duct Fan (187m ³ /hr)	£53.73	MR0.5
UT 125	125mm In-line Duct Fan (260m ³ /hr)	£59.70	MR0.5
UT 150	150mm In-line Duct Fan (450m ³ /hr)	£63.57	MR1

See page 39/40 for High Powered Metal Cased In-line Fan

Metal Cased External Centrifugal Fans (UEC)



CODE	DESCRIPTION	PRICE	S/C
UEC100	100mm External Centrifugal Fan (280m ³ /hr)	£112.46	MR0.5
UEC125	125mm External Centrifugal Fan (390m ³ /hr)	£125.00	MR0.5
UEC150	150mm External Centrifugal Fan (600m ³ /hr)	£158.54	MR1

Monsoon Multi Room Extract Units

Features:

- Exceptionally quiet in operation
- Complies with the Building Regulations (BRE Digest 398) Part F
- Designed with ease of installation in mind
- Suitable for a variety of applications
- Use recycled materials wherever possible

CODE	DESCRIPTION	PRICE
MRE	2 Speed Multi Room Extract Unit	£119.69
MREK	2 Speed Multi Room Extract Unit c/w Installation Kit	£187.05
MVS-8	3 Speed Multi Room Unit	£206.19
MVS-8/14	3 Speed Multi Room Unit High Performance	£240.10
MVS-8R	3 Speed Multi Room Unit Induct Humidity & Remote Control	£401.99

Others models available on page 13

MVS range supplied with either round or rectangular connection box.



MVS (Round Connection)



MVS (Rectangular Connection)



MRE

Monsoon Sweep Fans (MS)

Features:

- For cooling in the summer and energy conservation in winter.
- 3 blade Italian design finished with black or white blade.
- Resilient mounting ensures low vibration.
- Modular system enables you to build the fan to your needs.
- Firstly take the motor (MS3), add the size and colour of blade, choice from the optional accessories

CODE	DESCRIPTION	PRICE
MS3	230v Motor Unit in light grey	£37.29
MSP3-90	White Blade Set 900mm	£10.71
MSP3-120	White Blade Set 1200mm	£12.21
MSP3-140	White Blade Set 1400mm	£14.55
MSPN3-90	Black Blade Set 900mm	£10.71
MSPN3-120	Black Blade Set 1200mm	£12.21
MSPN3-140	Black Blade Set 1400mm	£14.55
MSL	Light Kit Glass Ball max 100W	£16.05
MV	Speed Regulator	£7.71
MR	Speed Regulator with Light Control	£15.00
MT	Remote Control Kit	£31.05





Firebrake Connector for Rectangular

		CODE	BOX QTY	UNIT PRICE
System 100 FireBrake Duct Connector		087	12	£43.16
Supertube 125 FireBrake Duct Connector		587	8	£56.76
Megaduct 220 FireBrake Duct Connector		987	8	£61.79
PolyVent FireBrake Duct Connectors	225	2087	8	£43.16
	300	3087	8	£56.76
FireBrake Acoustic Intumescent Mastic, 310ml		MAS87	25	£4.14



Firebrake Electrical



NEW

CODE	DESCRIPTION	UNIT PRICE
20C89	20mm Firebrake Electrical x 300mm	£12.95
25C89	25mm Firebrake Electrical x 300mm	£16.60

Firebrake Connector for Round



		CODE	BOX QTY	UNIT PRICE
EasiPipe 100 FireBrake Duct Connector		488	16	£56.76
EasiPipe 125 FireBrake Duct Connector		588	8	£61.79
EasiPipe 150 FireBrake Duct Connector		688	6	£68.05

Please contact for comprehensive product information, technical data and advice, or refer to our website for assistance.

www.nationalventilation.co.uk



GROUP 'E'
Energysaver™ Ventilation Products

Energysaver™ Grille Range

- Features-
- Patented design
 - Virtually eliminates 'blow back' when fan is running
 - Increased efficiency of fan by up to 20%
 - Reduces running cost of the ventilation system
 - Part F compliant
 - Independently tested

100mm Energysaver™ Grille Range

CODE	DESCRIPTION	PRICE
ESG4W	100mm Energysaver Grille White	£9.85
ESG4BR	100mm Energysaver Grille Brown	£9.85
ESWK4W	100mm Energysaver Wall Kit White	£12.35
ESWK4BR	100mm Energysaver Wall Kit Brown	£12.35
ESOW4	100mm Energysaver Window Kit (Suitable for OA Fans & Energysaver only)	£21.98
ESPV4W	100mm Energysaver Passive Vent White	£35.00
ESPV4BR	100mm Energysaver Passive Vent Brown	£35.00
ESHRPV4W	100mm Energysaver High Rise Passive Vent White	£39.00
ESHRPV4BR	100mm Energysaver High Rise Passive Vent Brown	£39.00
ESHR4W	100mm Energysaver High Rise Installation Kit White	£18.50
ESHR4BR	100mm Energysaver High Rise Installation Kit Brown	£18.50



150mm Energysaver™ Grille Range

CODE	DESCRIPTION	PRICE
ESG6W	150mm Energysaver Grille White	£13.75
ESG6BR	150mm Energysaver Grille Brown	£13.75
ESWK6W	150mm Energysaver Wall Kit White	£18.00
ESWK6BR	150mm Energysaver Wall Kit Brown	£18.00
ESOW6	150mm Energysaver Window Kit (Suitable for OA Fans & Energysaver only)	£29.96
ESHR6W	150mm Energysaver High Rise Installation Kit White	£22.50
ESHR6BR	150mm Energysaver High Rise Installation Kit Brown	£22.50



Monsoon Energysaver™ Domestic Range

Features:

- Energy efficient motors
- 12V DC brushless ball bearing motor provides long life performance
- 5 year guarantee
- Wall/window fitting kits included

Bathroom Fans



CODE	DESCRIPTION	PRICE
MESQ50W	100mm Wall Energysaver Bathroom LV DC Axial Fan remote combined Sensor/Transformer Kit (Suitable for OA Fans & Energysaver only) (90m³/hr)	£173.00
MESQ50G	100mm Window Energysaver Bathroom LV DC Axial Fan remote LV Sensor and separate Transformer Kit (90m³/hr)	£199.00
MESQ50WR	100mm Wall Energysaver Bathroom LV DC Axial Fan remote LV Sensor and separate Transformer Kit (90m³/hr)	£186.00
MESQ50WT	100mm Wall Energysaver Bathroom LV DC Axial Wall remote combined Sensor/Transformer Kit c/w Timer (90m³/hr)	£182.00

Kitchen Fans



CODE	DESCRIPTION	PRICE
MES6	150mm Energysaver Kitchen Axial Fan with switching power supply LV-DC (230m³/hr)	£125.00
MES150A	150mm Energysaver Kitchen Axial Fan with switching power supply LV-DC and integral set point humidity sensor (230m³/hr)	£198.00



Monsoon Energysaver™ Multi Room Extract Systems

Features-

- SAP Appendix Q listed
- EST best practice compliant
- Energy saving EBM EC motor
- 14 speed steps to closely control airflow reducing costs further

CODE	DESCRIPTION	PRICE
MVS10	Energysaver Multi Room Extract Unit Long life DC Motor	£424.00
MVS10GR	Energysaver Multi Room Extract Unit Long life DC Motor c/w integral humidistat and wireless remote control	£595.00

Monsoon Energysaver™ Positive Pressure Range

Features-

- Energy efficient DC ball bearing motor for quiet operation
- Reduces and controls condensation
- Built-in electronic controller automatically monitors temperature introduced air and activates pre-heat to maintain comfort levels.
- Filter, factory fitted as standard
- 5 year guarantee

CODE	DESCRIPTION	PRICE
PPS/FH	Monsoon Apartment/Flat Model DC Motor c/w Heater	£420.00
PPS/FH	Monsoon Loft Model DC Motor c/w Heater	£420.00

Monsoon Energysaver™ Low Profile Mixed Flow Fans

Features-

- Energy efficient brushless DC motors
- Removable fan body for easy maintenance and installation
- Low profile design
- Silent running with high performance

CODE	DESCRIPTION	PRICE
MES160/100	Monsoon 100mm Mixed Flow 160m³/Hr	£208.00
MES250/100	Monsoon 100mm Mixed Flow 250m³/Hr	£482.00
MES350/125	Monsoon 125mm Mixed Flow 350m³/Hr	£497.00
MES500/150	Monsoon 150mm Mixed Flow 500m³/Hr	£540.00
MES800/200	Monsoon 200mm Mixed Flow 800m³/Hr	£642.00
MES-REB	Monsoon E-Saver Speed Controller	£81.00

Monsoon Energysaver™ Heat Recovery Range

Features-

- Energy efficient DC motors
- All units are tested and listed to SAP Appendix Q
- Synthetic heat exchanger 95% efficient
- G6 Pollen filters fitted as standard

CODE	DESCRIPTION	PRICE
MES-C180	Monsoon Energysaver C180 (180m³/Hr @ 150Pa)	£1,298.00
MES-M300	Monsoon Energysaver M300 (300m³/Hr @ 150Pa)	£1,395.00
MES-G400	Monsoon Energysaver G400 (400m³/Hr @ 150Pa)	£1,534.00
MES-M300BP	Monsoon Energysaver M300 with Auto Bypass	£1,734.00
MES-G400BP	Monsoon Energysaver G400 with Auto Bypass	£1,873.00



Monsoon AKOR Heat Recovery Range

Features-

- Cross flow heat exchanger polypropylene plates
- Two direct drive centrifugal fans 2 Speed low power consumption
- Class B, IP44 Single phase 230v50Hz motor
- Fibreglass thermally insulated, casing tough reinforced plastic

CODE	DESCRIPTION	PRICE
AKOR T3/7-1	AKOR T3/7 Option 1 Unit 200m³/Hr @ 150Pa	£565.90
AKOR-T3/7-2	AKOR T3/7 Option 2 Unit 200m³/Hr @ 150Pa	£601.47
AKOR-GD-1	AKOR GD Option 1 Unit 360m³/Hr @ 150Pa	£598.29
AKOR GD-2	AKOR GD Option 2 Unit 360m³/Hr @ 150Pa	£632.85
AKOR-SW	AKOR 2 Position Switch	£44.97



Option 1



Option 2

Energysaver™ Heat Recovery Accessories

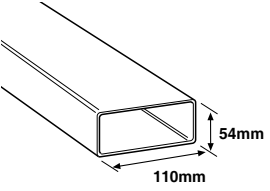
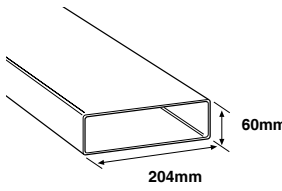
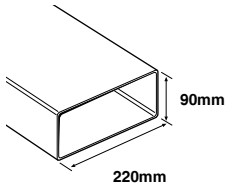
CODE	DESCRIPTION	PRICE
MES-3SS	Monsoon 3 Speed Switch with filter indicator	£87.00
MES-BB	Monsoon Back box for 3 Speed Switch	£30.00
MES-RJ12	Monsoon RJ12 Connection cable for Switch	£24.00
MES-4SW	Monsoon 4 Speed Wireless Switch with Receiver	£384.00

GROUP 'A(D)' Ducting

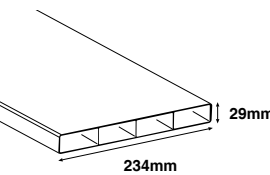
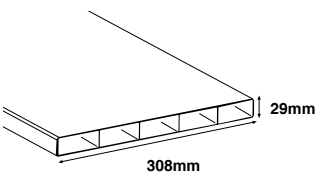
THE PLEDGE OF QUALITY AND SAFETY

- ✓ All Monsoon flat channel and pipes are made from flame retardant self extinguishing materials to conform to fire standards UL94 V2 and DIN 4102 B1
- ✓ Manufactured to strict quality control procedures
- ✓ Wall outlets are made with UV stabilised materials to reduce colour fade
- ✓ Airbricks meet British Standard BS493
- ✓ Non corrosive products ensure durability
- ✓ Push-fit lightweight product saves time in installation and reduces careless accidents and the need for special tools
- ✓ Robust packaging protects the products
- ✓ BS EN ISO 9002 registered group
- ✓ Products are independently tested by BSRIA for airflow performance

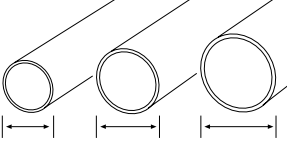
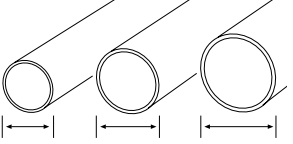
System 100 / Supertube 125 / Megaduct 220

SYSTEM 100			SUPERTUBE125			MEGADUCT 220		
APPLICATION	DIMENSIONS	LENGTHS	APPLICATION	DIMENSIONS	LENGTHS	APPLICATION	DIMENSIONS	LENGTHS
		5300mm ²			11200mm ²			17968mm ²
Particularly suitable for applications requiring lower extraction rates, such as the ventilation of domestic bathrooms and internal WCs. Provides efficient ducting for short, simple runs.	Flat channel outer dimensions are 110 x 54mm and fit into system parts sockets. Minimum space required: 115 x 60mm.	1m, 1.5m and 2m	Ideal for ducting of kitchen cooker hoods and fans with 100, 125 or 150mm round exhaust spigots. Highly efficient even for long runs, and with appliances of a high extraction rate.	Flat channel outer dimensions are 204 x 60mm and fit into system parts sockets. Minimum space required: 210 x 65mm.	1m, 1.5m and 2m	Ideal for ducting of very high powered cooker hoods especially with 150mm exhaust spigot - can also be connected to 100 and 125mm spigots. This highly effective rectangular duct has comparable airflow performance to a 150mm round duct, but with a lower profile.	Flat channel outer dimensions are 220 x 90mm and fit into system parts sockets. Minimum space required: 227 x 97mm.	1m and 1.5m

Polyvent 225 / Polyvent 300

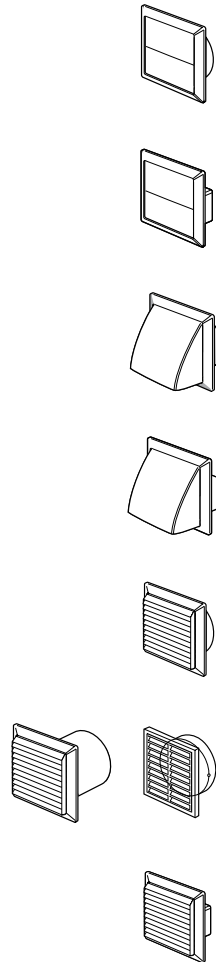
POLYVENT 225			POLYVENT 300		
APPLICATION	DIMENSIONS	LENGTHS	APPLICATION	DIMENSIONS	LENGTHS
		5830mm ²			7760mm ²
Ideal for the ducting of bathrooms and toilets where space is very restricted. It is easily concealed and is an effective choice if other systems cannot be fitted.	Flat channel outer dimensions are 234mm x 29mm and fit directly into system parts sockets to create ducting runs. Minimum space required: 240 x 38mm.	1m, 1.5m and 2m	Ideal for the ducting of bathrooms, toilets and kitchens where space is very restricted. It is easily concealed and is an effective choice if other systems cannot be fitted.	Flat channel outer dimensions are 308mm x 29mm and fit directly into system parts sockets to create ducting runs. Minimum space required: 315 x 38mm.	1m, 1.5m and 2m

Easipipe / Thermapipe 100mm, 125mm & 150mm

EASIPIPE			THERMAPIPE		
APPLICATION	DIMENSIONS	LENGTHS	APPLICATION	DIMENSIONS	LENGTHS
 <p>100mm 125mm 150mm</p>	<p>7850mm² (100mm) 12266mm² (125mm) 17663mm² (150mm)</p>		 <p>100mm 125mm 150mm</p>	<p>7850mm² (100mm) 12266mm² (125mm) 17663mm² (150mm)</p>	
<p>A round pipe is the most efficient airflow conduit as minimum air turbulence occurs. Consequently, Easipipe is ideal for larger fans, cooker hoods, whole-house ventilation systems, stack ventilation and air-conditioning.</p>	<p>System parts have spigots to fit inside 100, 125 and 150mm pipes. Available in three diameters:</p> <p>100mm (core drill 107mm) 125mm (core drill 132mm) 150mm (core drill 162mm)</p>	<p>350mm, 1m & 2m</p>	<p>Thermapipe is an insulated pipe system that really is 'ready to install', providing excellent protection against condensation and enables a high level of temperature control to be achieved. Suitable for whole-house ventilation, passive stack and air conditioning systems.</p>	<p>System parts have spigots to fit inside 100, 125 and 150mm pipes. Available in three diameters:</p> <p>100mm (core drill 107mm) 125mm (core drill 132mm) 150mm (core drill 162mm)</p>	<p>1m & 2m only</p>

BOXED QUANTITIES CAN BE SPLIT

Plastic Wall Outlets



	100mm			125mm			150mm		
	CODE	BOX QTY	UNIT PRICE	CODE	BOX QTY	UNIT PRICE	CODE	BOX QTY	UNIT PRICE
Wall Outlet with Gravity Flaps - Round Spigot 125/150mm outlets have 4 flaps NEW	4900 W	20	£2.55	5900 W	10	£6.01	6900 W	10	£6.93
	4900 B	20	£2.55	5900 B	10	£6.01	6900 B	10	£6.93
	4900 C	20	£2.55	5900 C	10	£6.01	6900 C	10	£6.93
	4900 T	20	£2.55	5900 T	10	£6.01	6900 T	10	£6.93
	4900 BLK	20	£2.93						
Wall Outlet with Gravity Flaps - Rectangular Socket Fits direct to System 100	4901 W	20	£2.68						
	4901 B	20	£2.68						
	4901 C	20	£2.68						
	4901 T	20	£2.68						
Cowled Wall Outlet with Damper - Round Spigot NEW	4902 W	20	£3.79	5902 W	10	£7.64	6902 W	10	£8.49
	4902 B	20	£3.79	5902 B	10	£7.64	6902 B	10	£8.49
	4902 C	20	£3.79	5902 C	10	£7.64	6902 C	10	£8.49
	4902 T	20	£3.79	5902 T	10	£7.64	6902 T	10	£8.49
	4902 BLK	20	£4.36						
Cowled Wall Outlet with Damper - Rectangular Socket Fits direct to System 100	4903 W	20	£3.92						
	4903 B	20	£3.92						
	4903 C	20	£3.92						
	4903 T	20	£3.92						
Louvred Grille with Flyscreen - Round Spigot NEW	F4904 W	20	£3.46	F5904 W	10	£6.53	F6904 W	10	£7.45
	F4904 B	20	£3.46	F5904 B	10	£6.53	F6904 B	10	£7.45
	F4904 C	20	£3.46	F5904 C	10	£6.53	F6904 C	10	£7.45
	F4904 T	20	£3.46	F5904 T	10	£6.53	F6904 T	10	£7.45
	F4904 BLK	20	£3.46						
Louvred Grille with Internal Damper - Round Spigot	4994 W	20	£5.17	500 W	10	£10.14			
	4994 B	20	£5.17	500 B	10	£10.14			
	4994 C	20	£5.17	500 C	10	£10.14			
	4994 T	20	£5.17	500 T	10	£10.14			
Louvred Grille with Flyscreen - Rectangular Socket Fits direct to System 100	F4905 W	20	£3.67						
	F4905 B	20	£3.67						
	F4905 C	20	£3.67						
	F4905 T	20	£3.67						

W = White B = Brown C = Cotswold Stone (Beige) T = Terracotta BLK = Black

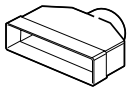
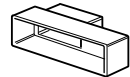
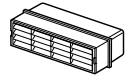
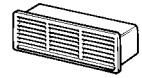
Stainless Steel Wall Outlets



	100mm			125mm			150mm		
	CODE	BOX QTY	UNIT PRICE	CODE	BOX QTY	UNIT PRICE	CODE	BOX QTY	UNIT PRICE
Wall Outlet with Gravity Flaps - Round Spigot 	4700 SS	1	£29.76	5700 SS	1	£40.78	6700 SS	1	£56.88
Cowled Wall Outlet with Damper - Round Spigot 	4702 SS	1	£33.60	5702 SS	1	£49.08	6702 SS	1	£57.50
Round Cowled Wall Outlet with Internal Louvres - Round Spigot 	4708 SS	1	£26.46	5708 SS	1	£40.14	6708 SS	1	£51.90
Round Cowled Wall Outlet with Internal Mesh - Round Spigot 	4709 SS	1	£26.46	5709 SS	1	£40.14	6709 SS	1	£51.90
Air Extract or Supply Valve - to fit pipe and Round Socket 	136-04 SS	1	£34.54	136-05 SS	1	£43.60	136-06 SS	1	£52.52

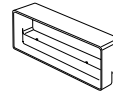
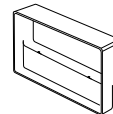
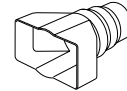
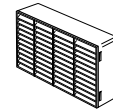
SS = Stainless Steel

BOXED QUANTITIES CAN BE SPLIT



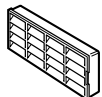
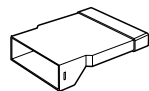
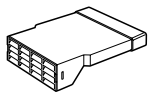
SUPERTUBE 125			
	CODE	BOX QTY	UNIT PRICE
Horizontal Airbrick with Damper	501 W	20	£4.05
	501 B	20	£4.05
	501 C	20	£4.05
	501 T	20	£4.05
Horizontal Louvred Airbrick	505 W	20	£4.71
	505 B	20	£4.71
	505 C	20	£4.71
	505 T	20	£4.71
	505 BLK	20	£4.71
Airbrick Adapter Fits System 100 to airbrick 501/505/507	077	20	£2.55
Round to Single Airbrick Adapter Fits 100mm round pipe	073	5	£3.86

NEW



EASIPIPE 100			
	CODE	BOX QTY	UNIT PRICE
Double Airbrick	905 W	10	£7.77
	905 B	10	£7.77
	905 C	10	£7.77
	905 T	10	£7.77
Double Airbrick Adapter to Round Pipe Fits 100/125/150mm round pipe	954	1	£41.96

MEGADUCT 220			
	CODE	BOX QTY	UNIT PRICE
Double Airbrick Adapter	977	10	£3.86
Supertube to Megaduct Adapter	957	10	£3.86



	POLYVENT 225 / 300			POLYVENT 225			POLYVENT 300		
	CODE	BOX QTY	UNIT PRICE	CODE	BOX QTY	UNIT PRICE	CODE	BOX QTY	UNIT PRICE
Extended Horizontal Airbrick For PolyVent				2009 W	5	£10.15	3009 W	5	£11.99
				2009 B	5	£10.15	3009 B	5	£11.99
				2009 C	5	£10.15	3009 C	5	£11.99
				2009 T	5	£10.15	3009 T	5	£11.99
Airbrick Adapter For PolyVent				2016	5	£8.30	3016	5	£9.95
Airbrick Fascia For PolyVent Airbrick Adapters	2316 W	5	£1.79						
	2316 B	5	£1.79						
	2316 C	5	£1.79						
	2316 T	5	£1.79						
	2316 BLK	5	£1.79						
	2316 G	5	£1.79						
Fits direct to either 2016 / 3016 Also suitable for use as a replacement insert for the 505 airbrick	2316 LT	5	£1.79						

NEW

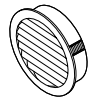
PolyVent 225 can also be connected to any 100mm outlet with a round spigot - see page 22 using article no. 2005

W = White B = Brown C = Cotswold Stone (Beige) T = Terracotta BLK = Black G = Grey LT = Light Terracotta

DISCOUNT GROUP A(D)

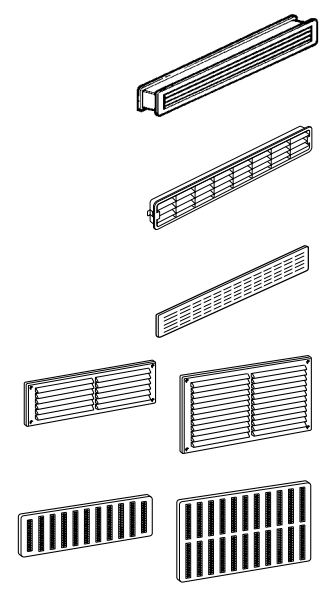
NEW

NEW



		100mm			125mm			150mm		
		CODE	BOX QTY	UNIT PRICE	CODE	BOX QTY	UNIT PRICE	CODE	BOX QTY	UNIT PRICE
Round louvred Grille with Flyscreen		F4804 W	20	£1.63						
		F4804 B	20	£1.63						
		F4804 C	20	£1.63						
		F4804 T	20	£1.63						
Round Ceiling Diffuser										
	white plastic finish	4907 W	1	£3.49	5907 W	1	£5.87	6907 W	1	£6.70
	chrome finish	4907 CH	1	£10.61						
		200mm			250mm			315mm		
		CODE	BOX QTY	UNIT PRICE	CODE	BOX QTY	UNIT PRICE	CODE	BOX QTY	UNIT PRICE
	white plastic finish	8907 W	1	£8.59	10907 W	1	£11.20	12907 W	1	£13.45
		100mm								
Multi Directional Inlet Grille with Environmental Filter		4908F	9	£28.75						

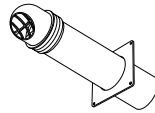
Ventilators



		CODE	BOX QTY	UNIT PRICE	CODE	BOX QTY	UNIT PRICE
Internal Door Ventilator							
Airflow area 15,300mm ²	white	145 W	1	£6.47			
	brown	145 B	1	£6.47			
External dimensions 456 x 92mm							
Plinth Ventilator							
Airflow area 22,300mm ²	white	146 W	1	£4.39			
	med. brown	146 MB	1	£4.39			
	sand	146 SD	1	£4.39			
	charcoal	146 CH	1	£4.39			
External dimensions 456 x 75mm							
Worktop Ventilator - Metal							
Airflow area 8,500mm ²	white	148 W	1	£14.24			
	brown	148 B	1	£16.52			
	brass	148 BS	1	£15.48			
	aluminium	148 A	1	£14.24			
External dimensions 478 x 79mm							
Louvre							
793 271 x 95mm		793	20	£2.09	796	20	£2.88
8,800mm ²	796 271 x 171mm						
	17,766mm ²						
Open n Shut Grille							
893 271 x 95mm		893	20	£2.68	896	20	£3.27
4,330mm ²	896 271 x 171mm						
	8,490mm ²						

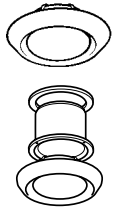
BOXED QUANTITIES CAN BE SPLIT

High Rise - Outlet and Kit



	100mm			150mm		
	CODE	BOX QTY	UNIT PRICE	CODE	BOX QTY	UNIT PRICE
High Rise Round Cowl Installation Kit white brown terracotta beige	2447 W	1	£14.99	2647 W	1	£19.91
	2447 B	1	£14.99	2647 B	1	£19.91
	2447 T	1	£14.99	2647 T	1	£19.91
	2477 C	1	£14.99			

Air Extract or Supply Valves



	100mm			125mm			150mm			200mm			
	CODE	BOX QTY	UNIT PRICE	CODE	BOX QTY	UNIT PRICE	CODE	BOX QTY	UNIT PRICE	CODE	BOX QTY	UNIT PRICE	
Air Extract or Supply Valve - to fit Pipe and Round Sockets white ABS plastic	136-04	8	£6.97	136-05	8	£8.40	136-06	8	£11.20	136-08	8	£11.86	
Air Extract or Supply Valve - for Suspended Ceilings fitting	white ABS plastic	136-24	6	£11.20	136-25	6	£12.63	136-26	6	£16.80	136-28	6	£19.76
	white metal	136-24M	6	£11.91	136-25M	6	£15.24	136-26M	6	£18.68	136-28M	6	£23.05

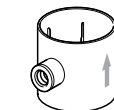
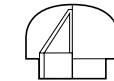
Soil Ventilation products

Universal Roof Cowl



NEW

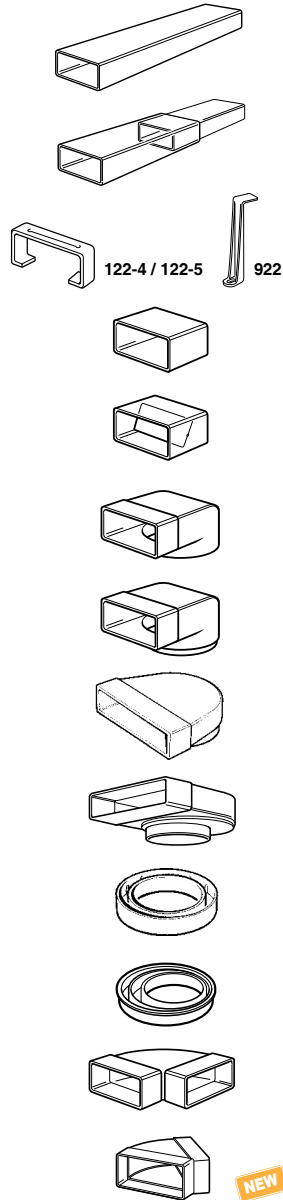
	100mm		
	CODE	BOX QTY	UNIT PRICE
Universal Roof Cowl (Grey Cap)	4411	1	£118.84



	100mm		
	CODE	BOX QTY	UNIT PRICE
Roof Vent Cowl for 110mm Pipe white brown grey	4110 W	1	£12.09
	4110 B	1	£12.09
	4110 G	1	£12.09
Roof Weathering Slate - angled rubber / aluminium	4457	1	£20.59
Condensation Trap Fits 100mm I.D. and 110mm O.D. pipe with overflow without overflow	497	10	£8.30
	498	10	£6.60



Ducting through a compartment wall?
Take a look at FireBrake and prevent the spread of fire through ventilation ducting. See page 10.



			SYSTEM 100			SUPERTUBE 125			MEGADUCT 220		
			CODE	BOX QTY	UNIT PRICE	CODE	BOX QTY	UNIT PRICE	CODE	BOX QTY	UNIT PRICE
Flat Channel	1m	010	10	£3.92	510	5	£8.11	910	3	£13.00	
	1.5m	015	10	£5.89	515	5	£12.16	915	3	£19.54	
	2m	D1-2000	10	£7.85	D3-2000	5	£16.20				
Flat Channel Outer Sleeve	1m	D2-1000	10	£5.81							
Flat Channel Clip		122-4	10	£0.92	122-5	10	£1.47	922	10	£0.83	
Flat Channel Connector		020	20	£1.45	520	10	£4.76	920	6	£5.48	
Flat Channel Connector with Damper		027	20	£2.09	527	10	£6.01	927	6	£6.91	
Elbow Bend with Socket	Round connection 100mm I.D.	030	20	£3.59							
Elbow Bend with Spigot	Round connection 100mm O.D.	040	20	£3.59							
Elbow Bend with Spigot	440 spigot 100mm				440	10	£6.60				
	540 spigot 125mm				540	10	£6.60				
	640 spigot 150mm				640	10	£6.60				
Elbow Bend with Rotating Offset Spigot	441 & 941 spigot 100mm				441	10	£7.98	941	6	£9.47	
	541 & 951 spigot 125mm				541	10	£7.98	951	6	£9.47	
	641 & 961 spigot 150mm				641	10	£7.98	961	6	£9.47	
Adapter - from 125mm to 100mm	Fits codes 540 / 541 to 100mm spigot				544	10	£1.81				
Offset Reducer - from 150mm to 125mm or 100mm	Fits codes 640 to 125mm or 100mm spigot							644	10	£2.15	
Horizontal 90° Bend		050	20	£3.59	550	10	£9.93	950	6	£11.44	
Horizontal 45° Bend		055	20	£3.23	555	10	£8.93	955	6	£10.29	

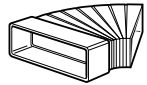
NEW

BOXED QUANTITIES CAN BE SPLIT

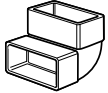
For further fittings PTO **23**



Ducting through a compartment wall?
Take a look at FireBrake and prevent the spread of fire
through ventilation ducting. See page 10.



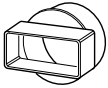
Adjustable Horizontal Bend



Vertical 90° Bend



Round to Rectangular Adapter



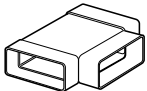
Short Round to Rectangular Adapter

Round Connection
070 100mm I.D.
570 125mm I.D.
970 154mm I.D.



Vertical 45° Bend

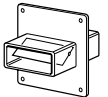
Round connection
100mm O.D.



Horizontal T-Piece



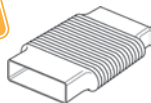
Flat Channel Wall Plate



Damper Valve with Wall Plate



Flat Channel End Cap



Universal Duct
Connects to Flat Channel with connectors /
Bends 300mm length



Supertube Silencer

500mm
1m
1.5m

SYSTEM 100			SUPERTUBE 125			MEGADUCT 220		
CODE	BOX QTY	UNIT PRICE	CODE	BOX QTY	UNIT PRICE	CODE	BOX QTY	UNIT PRICE
			545	10	£9.93			
060	20	£3.59	560	10	£7.26	960	6	£9.09
070	20	£3.86	570	10	£7.98	970	6	£9.73
071	20	£2.29						
075	20	£3.23	575	10	£6.51	975	6	£8.18
080	20	£5.11	582	10	£14.04	982	6	£17.95
115-4	10	£1.18	115-5 W 115-5 B 115-5 C 115-5 T	10 10 10 10	£1.67 £1.67 £1.67 £1.67	115-6	6	£1.78
107	1	£4.44						
018	1	£1.89	518	1	£2.34			
			5B303	1	£13.95			
			5SL05 5SL10 5SL15	1 1 1	£61.43 £88.25 £112.25			

NEW

NEW


NEW

NEW

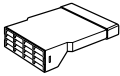
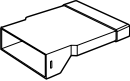
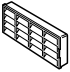
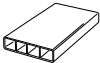

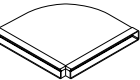
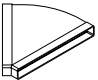
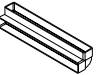
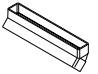


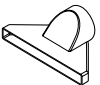
NEW

All products are white unless indicated.

W = White B = Brown C = Cotswold Stone (Beige) T = Terracotta BLK = Black G = Grey LT = Light Terracotta



Ducting through a compartment wall?
Take a look at FireBrake and prevent the spread of fire through ventilation ducting. See page 10.

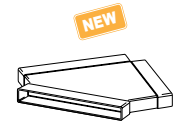
		POLYVENT 225			POLYVENT 300		
		CODE	BOX QTY	UNIT PRICE	CODE	BOX QTY	UNIT PRICE
	Extended Horizontal Airbrick Length 300mm Fits direct to PolyVent flat channel Features removable integral grille	2009 W	5	£10.15	3009 W	5	£11.99
		2009 B	5	£10.15	3009 B	5	£11.99
		2009 C	5	£10.15	3009 C	5	£11.99
		2009 T	5	£10.15	3009 T	5	£11.99
	Airbrick Adapter - for Polyvent Length 300mm Fits direct to PolyVent flat channel	2016	5	£8.30	3016	5	£9.95
	Airbrick Fascia - for Polyvent Airbrick Adapter Fits direct to 2016 / 3016 Also suitable for use as a replacement insert for the 505 airbrick	2316 W	5	£1.79	2316 W	5	£1.79
		2316 B	5	£1.79	2316 B	5	£1.79
		2316 C	5	£1.79	2316 C	5	£1.79
		2316 T	5	£1.79	2316 T	5	£1.79
		2316 BLK	5	£1.79	2316 BLK	5	£1.79
		2316 G	5	£1.79	2316 G	5	£1.79
		2316 LT	5	£1.79	2316 LT	5	£1.79
	Flat Channel 1.5m and 2m lengths offer easier transportation to meet manual handling Health and Safety legislation	2001	5	£11.22	3001	5	£14.81
		20150	5	£16.84	30150	5	£21.83
		20200	5	£22.46	30200	5	£29.11
	Flat Channel Connector	2006	20	£2.30	3006	20	£2.63
	Horizontal 90° Bend	2007	10	£7.28	3007	5	£10.47
	Horizontal 45° Bend	2008	10	£6.12	3008	5	£8.23
	Vertical 90° Bend	2010	10	£6.12	3010	5	£7.09
	Vertical 45° Bend	2011	10	£6.12	3011	5	£7.09
	Fan Box Adapter (or connector to 225 x 25mm metal systems)	2012	10	£3.59			
	Elbow Bend / Plenum Round connection 2013 100mm I.D. 3013 100mm I.D.	2013	10	£7.54	3013	5	£8.94
	Round to Rectangular Adapter Round connection 2005 100mm I.D. 3005 100mm I.D.	2005	10	£7.54	3005	5	£9.19

NEW



POLYVENT 225 / 300		
CODE	BOX QTY	UNIT PRICE
2014	100	£0.29

Universal Support Clip
Can be used with PolyVent 225 / 300



POLYVENT 225 / 300		
CODE	BOX QTY	UNIT PRICE
3015	5	£17.07
2332	5	£6.13

PolyVent 300 Y-Piece
Adapter
for Polyvent 225 to 300

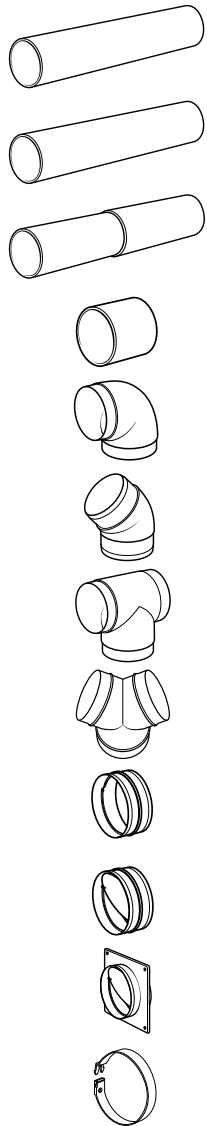
Connects to 100mm spigots or to Monsoon Pipe (135-4) with connector 493 / 4 / 5 or 380. See page 26.

Connects to 100mm spigots or to Monsoon Pipe (135-4) with connector 493 / 4 / 5 or 380. Can be used with Monsoon 100mm wall outlets. See page 18/19.

All products are white unless indicated.

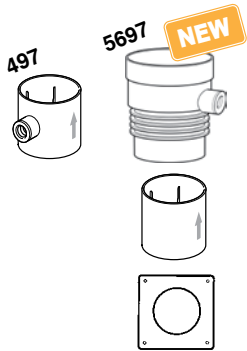
W = White M = White Metal B = Brown C = Cotswold Stone (Beige) T = Terracotta BLK = Black G = Grey LT = Light Terracotta

BOXED QUANTITIES CAN BE SPLIT



			EASPIPE 100			EASPIPE 125			EASPIPE 150		
			CODE	BOX QTY	UNIT PRICE	CODE	BOX QTY	UNIT PRICE	CODE	BOX QTY	UNIT PRICE
Standard Round Pipe	350mm	135-4	10	£2.49	135-5	10	£3.01	135-6	10	£4.25	
	1m	1100-4	3	£6.53	1100-5	3	£7.98	1100-6	3	£9.93	
	2m	1200-4	3	£11.49	1200-5	3	£14.18	1200-6	3	£17.77	
Round Pipe Sleeve	1m	2100-4	3	£6.99	2100-5	3	£8.36	2100-6	3	£10.65	
Creates telescopic assembly with standard round pipe											
Telescopic Assembly		130-4	10	£4.76	130-5	10	£6.33	130-6	10	£7.64	
Adapter to Round Sockets		380	10	£1.38	580	10	£1.47	680	10	£1.81	
90° Bend		490	10	£4.76	590	10	£7.98	690	10	£9.93	
45° Bend		491	10	£4.13	591	10	£6.60				
Equal T-Piece		492	4	£9.28	592	1	£10.77	692M	1	£20.84	
Equal Y-Piece		499M	1	£11.14	599M	1	£12.93	699M	1	£21.89	
Straight Pipe Connector		493	10	£2.62	593	10	£3.01	693	10	£3.76	
Straight Pipe Connector with Damper		494	10	£4.18	594	10	£4.87	694	10	£5.75	
Straight Pipe Connector with Damper & Wall Plate		495	10	£4.97	595	10	£6.41	695	10	£6.93	
Pipe Fastener		496	10	£1.47	596	10	£1.59	696	10	£1.73	

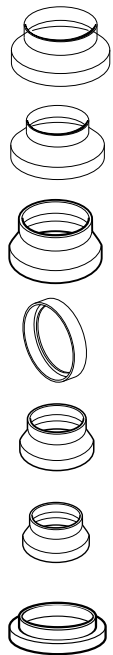
FIREBRAKE™ Ducting through a compartment wall? Take a look at FireBrake and prevent the spread of fire through ventilation ducting. See page 10.



		EASIPIPE 100			EASIPIPE 125			EASIPIPE 150		
		CODE	BOX QTY	UNIT PRICE	CODE	BOX QTY	UNIT PRICE	CODE	BOX QTY	UNIT PRICE
Condensation Trap with Overflow	Fits 100mm I.D. pipe and 110mm O.D.	497	10	£8.30	5697	4	£10.95	5697	4	£10.95
Condensation Trap without Overflow	Fits 100mm I.D. pipe and 110mm O.D.	498	10	£6.60						
Round Wall Plate		114-4	10	£1.18	114-5	10	£1.59	114-6	10	£1.97

FIREBRAKE™ Ducting through a compartment wall? Take a look at FireBrake and prevent the spread of fire through ventilation ducting. See page 10.

Easipipe Accessories

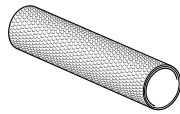


NOW IN PLASTIC

		CODE	BOX QTY	UNIT PRICE	CODE	BOX QTY	UNIT PRICE	CODE	BOX QTY	UNIT PRICE	CODE	BOX QTY	UNIT PRICE
Circular Adapter	200mm I.D. to 150mm O.D.										819	1	£2.49
Circular Adapter	150mm I.D. to 100mm O.D.							619	10	£2.34			
Circular Adapter	150mm I.D. to 125mm O.D.				118	10	£2.15						
Rubber Spigot Adapter	120mm I.D. to 125mm O.D.				519	1	£1.83						
Circular Adapter	125mm I.D. to 100mm O.D.	119	10	£1.94									
Circular Adapter	100mm I.D. to 80mm O.D.	019	10	£4.58									
Circular Adapter	110mm I.D. to 100mm O.D.	120	1	£1.42									

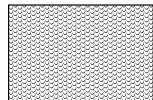
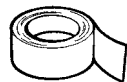
BOXED QUANTITIES CAN BE SPLIT

ThermaPipe - Insulated Pipe



	THERMAPIPE 100mm			THERMAPIPE 125mm			THERMAPIPE 150mm			
	CODE	BOX QTY	UNIT PRICE	CODE	BOX QTY	UNIT PRICE	CODE	BOX QTY	UNIT PRICE	
Round Pipe	1m	4TP100	3	£12.10	5TP100	3	£15.24	6TP100	2	£17.47
	2m	4TP200	3	£22.93	5TP200	3	£28.30	6TP200	2	£32.55
	2m sleeve only	4TP2SL	1	£12.55	5TP2SL	1	£15.01	6TP2SL	1	£17.18
90° Bend	4TP90	1	£8.89	5TP90	1	£11.94	6TP90	1	£14.86	
45° Bend	4TP91	1	£8.14	5TP91	1	£9.71				
Equal T Piece	4TP92 Plastic	1	£11.88	5TP92 Plastic	1	£16.79	6TP92M Metal	1	£32.71	

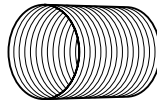
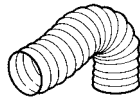
ThermaPipe Accessories



	THERMAPIPE 100mm			THERMAPIPE 125mm			THERMAPIPE 150mm		
	CODE	BOX QTY	UNIT PRICE	CODE	BOX QTY	UNIT PRICE	CODE	BOX QTY	UNIT PRICE
Aluminium Ducting Sealing Tape	50TP45	1	£14.19	ThermaPipe uses the connectors from the EasiPipe Range					
Thermal Insulation Sheet	10TP12	1	£11.20						

All products are white unless indicated.

Round Flexible Hoses



		100mm			125mm			150mm		
		CODE	BOX QTY	UNIT PRICE	CODE	BOX QTY	UNIT PRICE	CODE	BOX QTY	UNIT PRICE
Round Flexible PVC Hose	1m	361	1	£1.72	561	1	£2.38	661	1	£2.87
	3m	363	1	£4.92	563	1	£6.72	663	1	£8.21
	6m	366	1	£9.54	566	1	£13.19	666	1	£16.11
	10m	3610	1	£14.90	5615	1	£34.40	6615	1	£41.56
	15m	3615	1	£24.47						
	45m	3645	1	£64.01						
Semi Rigid Aluminium Round Duct	300mm	403203	1	£2.31	503203	1	£3.05	603203	1	£3.30
	1.5m	403215	1	£6.22	503215	1	£8.34	603215	1	£9.76
	3m	403230	1	£11.27	503230	1	£14.19	603230	1	£18.05

For more Flexible Ducting see page 53.

BOXED QUANTITIES CAN BE SPLIT

Round Flexible Hose Accessories



	80mm			100mm			125mm			150mm		
	CODE	BOX QTY	UNIT PRICE	CODE	BOX QTY	UNIT PRICE	CODE	BOX QTY	UNIT PRICE	CODE	BOX QTY	UNIT PRICE
Threaded Hose Connector with Spigot 124-4 100mm O.D.				124-4	10	£1.13						
Threaded Hose Connector with Socket 126-4 100mm I.D. 126-5 125mm I.D. 126-6 150mm I.D.				126-4	10	£1.13	126-5	10	£1.59	126-6	10	£2.19
Threaded Hose Connector for 110mm Pipe				126-110	10	£1.45						
Hose Clip 125-3 70-90mm 125-4 90-110mm 125-5 110-130mm 125-6 140-160mm	125-3	1	£0.83	125-4	1	£1.13	125-5	1	£1.59	125-6	1	£2.19

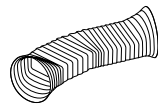
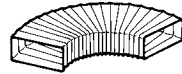


Round Flexible Hose Accessories

	100mm			125mm			150mm					
	CODE	BOX QTY	UNIT PRICE	CODE	BOX QTY	UNIT PRICE	CODE	BOX QTY	UNIT PRICE			
Aluminium Duct Clip 127-4 100-110mm 127-5 125-135mm 127-6 150-160mm				127-4	1	£1.09	127-5	1	£1.44	127-6	1	£1.71



Rectangular Flexible Hose



		SYSTEM 100			SUPERTUBE 125			MEGADUCT 220		
		CODE	BOX QTY	UNIT PRICE	CODE	BOX QTY	UNIT PRICE			
Rectangular Flexible PVC Hose	500mm	3305	1	£1.99	5305	1	£2.99	9305	1	£4.48
	3m	333	1	£8.65	533	1	£14.88	933	1	£16.06
Rectangular Flexible PVC Hose	500mm 3m				125mm					
					5505	1	£2.80			
					5533	1	£11.14			

Forms to fit round or rectangular 125mm connections
size: 150 x 60mm

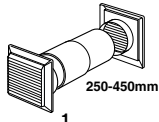
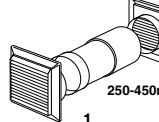
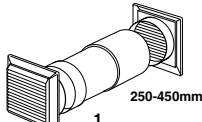
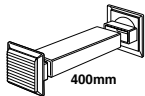
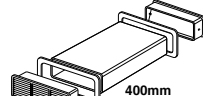
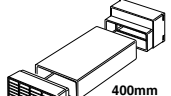
Rectangular Hose Accessories



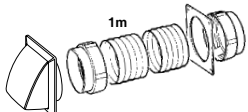
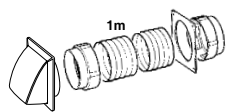
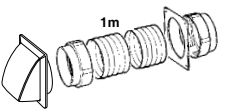
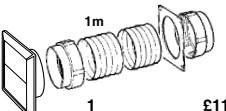
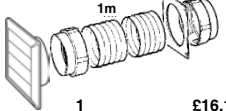
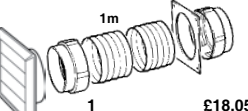
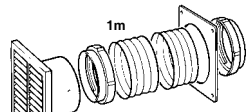
		SYSTEM 100			SUPERTUBE 125		
		CODE	BOX QTY	UNIT PRICE	CODE	BOX QTY	UNIT PRICE
Rectangular Hose Connector		381	1	£1.04	581	1	£1.57
PVC Duct Sealing Tape	50mm width						
	33m	123	1	£6.93			
	4.6m	123-4	1	£2.09			
Plastic Duct Sealant		DDSEAL	1	£6.95			

BOXED QUANTITIES CAN BE SPLIT

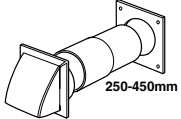
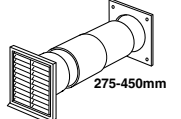
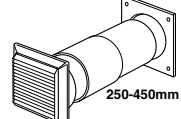
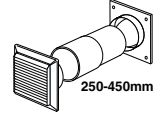
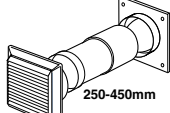
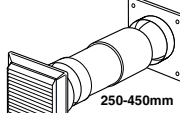
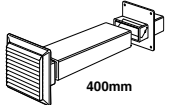
Air Supply Sets

	100mm			125mm			150mm		
	CODE	BOX	UNIT PRICE	CODE	BOX QTY	UNIT PRICE	CODE	BOX QTY	UNIT PRICE
Round Telescopic Return Air Box									
	116 W	1	£12.38	516 W	1	£19.41	616 W	1	£20.40
	116 B	1	£12.38	516 B	1	£19.41	616 B	1	£20.40
	116 C	1	£12.38	516 C	1	£19.41	616 C	1	£20.40
116 T	1	£12.38	516 T	1	£19.41	616 T	1	£20.40	
Rectangular Return Air Box									
	117 W	1	£11.14	511 W	1	£16.92	917 W	1	£30.99
	117 B	1	£11.14	511 B	1	£16.92	917 B	1	£30.99
	117 C	1	£11.14	511 C	1	£16.92	917 C	1	£30.99
117 T	1	£11.14	511 T	1	£16.92	917 T	1	£30.99	

Flexible Hose Kits for Cooker Hoods & Tumble Dryers

	100mm			125mm			150mm		
	CODE	BOX QTY	UNIT PRICE	CODE	BOX QTY	UNIT PRICE	CODE	BOX QTY	UNIT PRICE
1m Round Hose Kit with Self Closing Cowl									
	202 W	1	£11.70	202-5 W	1	£17.36	202-6 W	1	£20.16
	202 B	1	£11.70	202-5 B	1	£17.36	202-6 B	1	£20.16
	202 C	1	£11.70	202-5 C	1	£17.36	202-6 C	1	£20.16
202 T	1	£11.70	202-5 T	1	£17.36	202-6 T	1	£20.16	
1m Round Hose Kit with Gravity Flap Outlet									
	205 W	1	£11.38	216 W	1	£16.11	225 W	1	£18.05
	205 B	1	£11.38	216 B	1	£16.11	225 B	1	£18.05
	205 C	1	£11.38	216 C	1	£16.11	225 C	1	£18.05
205 T	1	£11.38	216 T	1	£16.11	225 T	1	£18.05	
1m Hose Kit with Louvred Grille & Internal Damper									
				215 W	1	£19.61			
				215 B	1	£19.61			
				215 C	1	£19.61			
			215 T	1	£19.61				

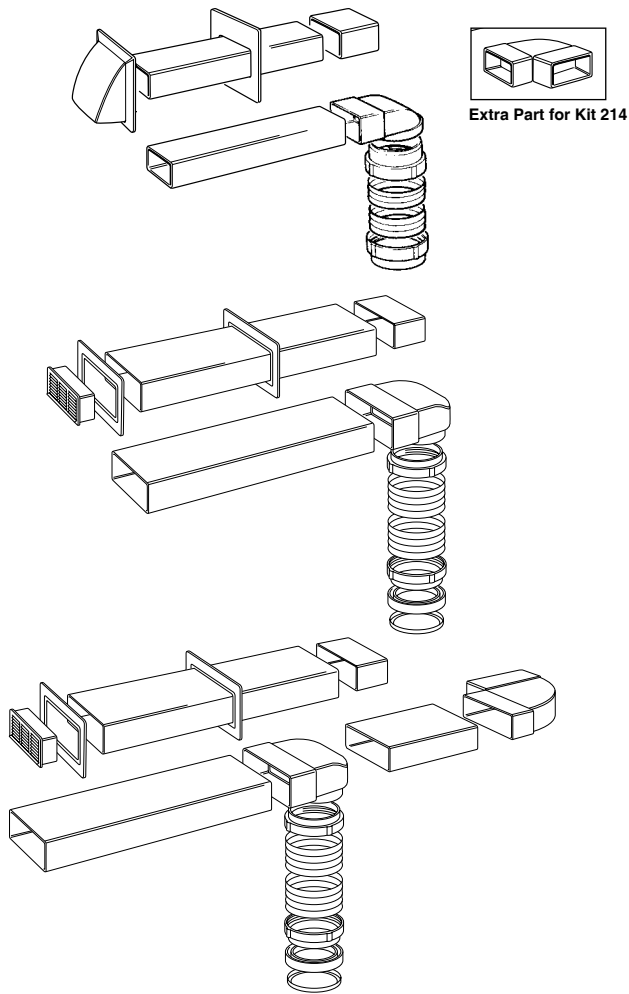
Wall Outlet Sets

	100mm			125mm			150mm		
	CODE	BOX QTY	UNIT PRICE	CODEwith in	BOX QTY	UNIT PRICE	CODE	BOX QTY	UNIT PRICE
Round Telescopic Outlet Set									
	108 W	1	£11.14	508 W	1	£17.36	608 W	1	£16.11
	108 B	1	£11.14	508 B	1	£17.36	608 B	1	£16.11
	108 C	1	£11.14	508 C	1	£17.36	608 C	1	£16.11
	108 T	1	£11.14	508 T	1	£17.36	608 T	1	£16.11
Round Telescopic Outlet Set with Internal Damper									
	112 W	1	£14.63	512 W	1	£19.86	612 W	1	£20.54
	112 B	1	£14.63	512 B	1	£19.86	612 B	1	£20.54
	112 C	1	£14.63	512 C	1	£19.86	612 C	1	£20.54
	112 T	1	£14.63	512 T	1	£19.86	612 T	1	£20.54
Rectangular Outlet Set									
	2455 W	1	£12.38						
	2455 B	1	£12.38						
	2455 C	1	£12.38						
	2455 T	1	£12.38						

All kit parts are white except wall outlets which are available in the following colours
 W = White B = Brown C = Cotswold Stone (Beige) T = Terracotta

BOXED QUANTITIES CAN BE SPLIT

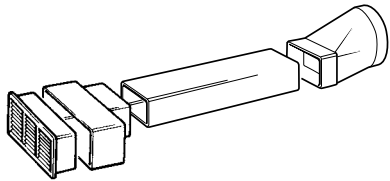
Flat Channel Kits



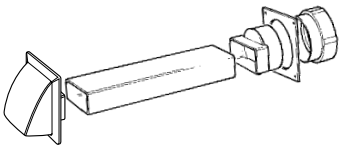
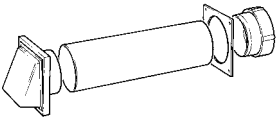
	SYSTEM 100			SUPERTUBE 125		
	CODE	BOX QTY	UNIT PRICE	CODE	BOX QTY	UNIT PRICE
System 100 3m Flat Channel Kit Straight Run	212 W	1	£28.30			
	212 B	1	£28.30			
	212 C	1	£28.30			
	212 T	1	£28.30			
	214 W	1	£31.06			
	214 B	1	£31.06			
	214 C	1	£31.06			
	214 T	1	£31.06			
Supertube 125 3m Flat Channel Kit with Brick Sized Outlet				227 W	1	£47.91
				227 B	1	£47.91
				227 C	1	£47.91
				227 T	1	£47.91
Supertube 125 3m Flat Channel Kit with Horizontal Bend and Brick Sized Outlet				219 W	1	£59.74
				219 B	1	£59.74
				219 C	1	£59.74
				219 T	1	£59.74

All kit parts are white except wall outlets which are available in the following colours
 W = White B = Brown C = Cotswold Stone (Beige) T = Terracotta

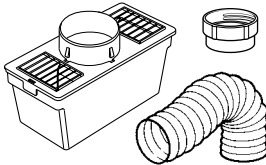
Extractor Fan Kit

	SYSTEM 100			SUPERTUBE 125		
	CODE	BOX QTY	UNIT PRICE	CODE	BOX QTY	UNIT PRICE
System 100 Extractor Fan Kit with Brick Sized Outlet - Built into Outside Wall for Fans or Cooker Hoods with 100mm Spigot						
	203 W	1	£12.70			
	203 B	1	£12.70			
	203 C	1	£12.70			
	203 T	1	£12.70			

Tumble Dryer Kits

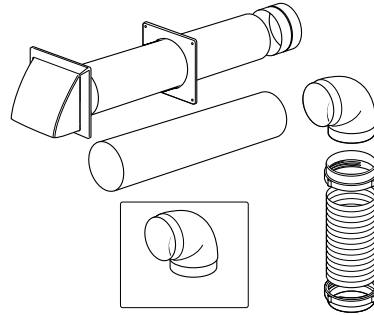
	SYSTEM 100			100mm		
	CODE	BOX QTY	UNIT	CODE	BOX QTY	UNIT
Rectangular Tumble Dryer Kit with Self Closing Cowl						
	207 W	1	£14.99			
	207 B	1	£14.99			
	207 C	1	£14.99			
	207 T	1	£14.99			
Round Tumble Dryer Kit with Self Closing Cowl						
				240 W	1	£12.38
				240 B	1	£12.38
				240 C	1	£12.38
				240 T	1	£12.38

Tumble Dryer Kits

	100mm		
	CODE	BOX QTY	UNIT
Tumble Dryer Self Condenser Kit			
	2442-2	1	£15.64

BOXED QUANTITIES CAN BE SPLIT

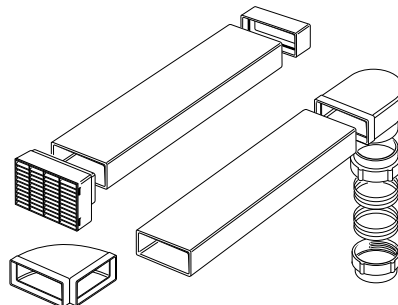
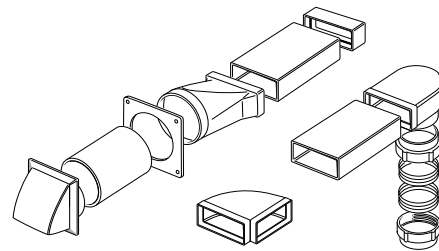
Round Pipe Kits



Extra Part for Kit 2607

	150mm		
	CODE	BOX QTY	UNIT PRICE
EasiPipe 150mm 3m Round Pipe Kit for Straight Run	2605 W	1	£47.30
	2605 B	1	£47.30
	2605 C	1	£47.30
	2605 T	1	£47.30
	2607 W	1	£56.00
	2607 B	1	£56.00
	2607 C	1	£56.00
	2607 T	1	£56.00

Megaduct 220 Flat Channel Kits



	MEGADUCT 220		
	CODE	BOX QTY	UNIT PRICE
Megaduct 220 3m Flat Channel Ducting Kit with Cowled Outlet	2650 W	1	£80.83
	2650 B	1	£80.83
	2650 C	1	£80.83
	2650 T	1	£80.83
Megaduct 220 3m Flat Channel Ducting Kit with Airbrick	2653 W	1	£74.62
	2653 B	1	£74.62
	2653 C	1	£74.62
	2653 T	1	£74.62

All kit parts are white except wall outlets which are available in the following colours
 W = White B = Brown C = Cotswold Stone (Beige) T = Terracotta

GROUP 'B'
C o m m e r c i a l &
I n d u s t r i a l

Monsoon Shuttered Fan Range

Features:

- Low noise
- Long lasting ball bearing motor
- ACT version thermal actuator shutter operation
- Complete with window fixings
- Reversible with controller

9" Auto Shutter Fan (OA)



CODE	DESCRIPTION	PRICE
OA23AM	225mm Shutters with Pull cord (620m ³ /hr)	£124.95
OA23ACT	225mm Auto Shutter (620m ³ /hr)	£124.95
FXALSR250/1	250mm Semi-rigid Wall Sleeve	£19.06

12" Auto Shutter Fan (OA)



CODE	DESCRIPTION	PRICE
OA30ACT	300mm Auto Shutter (1,620m ³ /hr)	£163.86
FXALSR315/1	315mm Semi-rigid Wall Sleeve	£26.88

OA 23/30 Controllers & Accessories



CODE	DESCRIPTION	PRICE
OS SC	Reversible speed controller	£30.91
OS SCS	Electronic reversible speed controller	£35.95
OS RC	Infrared remote control unit	£93.66
OS TS	Time switch	£62.66
OS TSD	Digital time switch	£95.15
FXALSR250/1	250mm Semi-rigid Wall Sleeve	£19.06
FXALSR315/1	315mm Semi-rigid Wall Sleeve	£26.88
OMT 23/30B	Kit with Screws for wall mounting (0.5m)	£4.49

6", 8" & 10" Reversible Axial Fans (HVR)

Features:

- Thermal electric shutter (not on all models)
- Front grille can be removed for cleaning
- Suitable for wall, window, or ceiling installation
- Low noise ball bearing motor



CODE	DESCRIPTION	PRICE
HVR150RE	150mm Reversible Auto Shutter Fan (360m ³ /hr)	£140.25
FES150	150mm Window kit	£33.07
HVR200R	200mm Reversible Fan (450m ³ /hr)	£173.25
HVR250R	250mm Reversible Fan (840m ³ /hr)	£198.00
BSX	Reversible speed control (HVR's only)	£64.57

NEW

NEW

UT150/SC Radon Mitigation Fan

NEW

Features:

- Integral speed control
- Complete with anti-vibration flexible connectors
- Non-corrosive, IP65 rated
- Low noise and easy to install
- Ball bearing motor with thermal protection



CODE	DESCRIPTION	PRICE
UT150/SC	150mm Radon Mitigation Fan	£177.00

Shuttered Roof Fans (OA)

Features:

- Suitable for glass or roof plates
- Complete with weather cowl and fixing kit
- Straight extract and reversible models
- Quite ball bearing motor
- Complete with weather cowl & comes pre-wired with speed controller



CODE	DESCRIPTION	PRICE
OA15RF	150mm Silent shutter (250m ³ /hr)	£154.20
OA23RF/SE	225mm Silent shutter (620m ³ /hr)	£194.50
OA23RF/R	225mm Silent shutter Reversible (620m ³ /hr)	£213.95
OA30RF/SE	300mm Silent shutter (1620m ³ /hr)	£226.76
OA30RF/R	300mm Silent shutter Reversible (1620m ³ /hr)	£249.43

N.B. Additional fixings & accessories may be required depending on application, call our technical team for advise on 01823 690290.

Purlin Support Mounting Box (OAPB)



CODE	DESCRIPTION	PRICE
OAPB15	Purlin Support Mounting Box to fit 150mm	£95.00
OAPB23	Purlin Support Mounting Box to fit 225mm	£110.00
OAPB30	Purlin Support Mounting Box to fit 300mm	£115.00

Built In Range (OA)

Features:

- Domestic, Commercial and Industrial use
- Automatic silent shutter and reversible options
- Five of the models with speed controllers

CODE	DESCRIPTION	PRICE
OA15/6AB	150mm Silent shutters	POA
OA23ARB	225mm Shutters, reversible, controller	POA
OA30ARB	300mm Shutters, reversible, controller	POA
OA35BI	355mm with speed controller	POA
OA40BI	400mm with speed controller	POA
OA45BI	450mm with speed controller	POA



Metal Cased Centrifugal Fans (ILF)

Features:

- Suitable for long duct runs
- Speed controllable
- Moisture resistant IP44, thermal cut outs
- Pre-galvanised steel casing
- Includes mounting bracket



CODE	DESCRIPTION	PRICE	S/C
ILF100	100mm In-line Fan (290m ³ /hr)	£71.16	MR1
ILF125	125mm In-line Fan (410m ³ /hr)	£71.90	MR1
ILF150	150mm In-line Fan (700m ³ /hr)	£88.94	MR1
ILF200	200mm In-line Fan (1,000m ³ /hr)	£110.68	MR1
ILF250	250mm In-line Fan (1,100m ³ /hr)	£130.45	MR1
ILF315-B	315mm In-line Fan (1,440m ³ /hr)	£159.84	MR2
ILF315-L	315mm In-Line Fan (1,890m ³ /hr)	£214.01	MR2

Monsoon 'TD' In-Line Mixed Flow Range

Features:

- Low profile in-line fan mixed flow range
- IP44 Class B Ball bearing motors
- Thermal safety overload protection
- Timer models adjustable within 1 and 30 minutes



CODE	DESCRIPTION	PRICE
TD160/100	100mm Mixed Flow 180m ³ /Hr	£78.96
TD250/100	100mm Mixed Flow 240m ³ /Hr	£107.21
TD350/125	125mm Mixed Flow 360m ³ /Hr	£115.65
TD500/150	150mm Mixed Flow 500m ³ /Hr	£153.76
TD800/200	200mm Mixed Flow 800m ³ /Hr	£210.17
TD1300/250	250mm Mixed Flow 1300m ³ /Hr	£345.52
TD2000/315	315mm Mixed Flow 2000m ³ /Hr	£356.80
TD4000/355	355mm Mixed Flow 4000m ³ /Hr	£684.19
TD6000/400	400mm Mixed Flow 6000m ³ /Hr	£888.75
TD160/100T	100mm Mixed Flow 180m ³ /Hr c/w Timer	£104.36
TD250/100T	100mm Mixed Flow 240m ³ /Hr c/w Timer	£131.20
TD350/125T	125mm Mixed Flow 360m ³ /Hr c/w Timer	£141.05
TD500/150T	150mm Mixed Flow 500m ³ /Hr c/w Timer	£181.89
TD800/200T	200mm Mixed Flow 800m ³ /Hr c/w Timer	£252.42



Roof Mounted Mixed Flow Fans (TH)

Features:

- Bases manufactured from sheet steel
- Models 500 & 800 manufactured from high strength moulded plastic
- Models 1300 & 2000 manufactured from pressed steel sheet
- Bird guard and base cable gland entry point as standard
- IP44, Class B with thermal protection and ball bearing motor
- Two speed motor and suitable for speed control

CODE	DESCRIPTION	PRICE	S/C
TH-500/150	150mm Mixed Flow Roof Fan (500m ³ /Hr)	£220.19	MR0.5
TH-800/200	200mm Mixed Flow Roof Fan (880m ³ /Hr)	£263.87	MR0.5
TH-1300/250	250mm Mixed Flow Roof Fan (1,150m ³ /Hr)	£443.08	MR1
TH-2000/315	315mm Mixed Flow Roof Fan (1,725m ³ /Hr)	£533.46	MR2

TH Accessories

Sealing Frame

CODE	DESCRIPTION	PRICE
JMS-300	Sealing Frame to suit 150mm & 200mm Fan	£110.33
JMS-435	Sealing Frame to suit 250mm Fan	£119.82
JMS-560	Sealing Frame to suit 315mm Fan	£133.44

Flat Roof Up-stand

CODE	DESCRIPTION	PRICE
JBS-300	Flat Roof Up-stand to suit 150mm & 200mm Fan	£138.43
JBS-435	Flat Roof Up-stand to suit 250mm Fan	£143.17
JBS-560	Flat Roof Up-stand to suit 315mm Fan	£183.31

Back Draught Shutter

CODE	DESCRIPTION	PRICE
CAR-150	Back Draught Shutter to suit 150mm	£32.32
CAR-200	Back Draught Shutter to suit 200mm	£35.44
CAR-250	Back Draught Shutter to suit 250mm	£44.66
CAR-315	Back Draught Shutter to suit 315mm	£52.45

Support Base for Curb Mounting

CODE	DESCRIPTION	PRICE
BI-3	Support Base for Curb Mount to suit 150/200mm	£669.66
BI-4	Support Base for Curb Mount to suit 250mm	£703.19
BI-5	Support Base for Curb Mount to suit 315mm	£736.60

Acoustic Cabinet Centrifugal (SB)

Features:

- Soundproofed acoustic lined box
- Galvanised sheet steel including impeller
- External wiring box, fully speed controllable
- Class B insulation, IP44

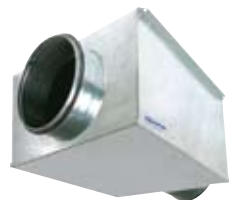
CODE	DESCRIPTION	PRICE
SB 125/H	125mm Acoustic SuperBox (400m ³ /hr)	£171.92
SB 150/H	150mm Acoustic SuperBox (550m ³ /hr)	£192.65
SB 200/H	200mm Acoustic SuperBox (875m ³ /hr)	£228.65
SB 250/H	250mm Acoustic SuperBox (1,300m ³ /hr)	£238.65
SB 355/H	355mm Acoustic SuperBox (2,200m ³ /hr)	£455.12

Centrifugal for False Ceilings (OC)

Features:

- Long life ball bearing motor
- Washable filter
- Back draught external shutter

CODE	DESCRIPTION	PRICE
OC200-CS	False Ceiling Centrifugal Fan (170 m ³ /hr)	£65.88



In-line Filter Boxes (Includes filter) (UFB)



CODE	DESCRIPTION	PRICE
UFB100	100mm Filter box	£20.45
UFB 125	125mm Filter box	£22.80
UFB 150	150mm Filter box	£27.02
UFB 200	200mm Filter box	£30.70
UFB 250	250mm Filter box	£36.85
UFB 315	315mm Filter box	£50.67

Replacement Filters (UF)

CODE	DESCRIPTION	PRICE
UF100	100mm Replacement Filter	£1.73
UF125	125mm Replacement Filter	£1.91
UF150	150mm Replacement Filter	£2.26
UF200	200mm Replacement Filter	£2.72
UF250	250mm Replacement Filter	£3.36
UF315	315mm Replacement Filter	£4.38

Back Draught Shutters (RSK)



CODE	DESCRIPTION	PRICE
RSK100	100mm Back draught shutter	£11.62
RSK125	125mm Back draught shutter	£12.60
RSK150	150mm Back draught shutter	£14.56
RSK200	200mm Back draught shutter	£15.12
RSK250	250mm Back draught shutter	£18.55
RSK315	315mm Back draught shutter	£24.18

Fast Clamps (FTC)



CODE	DESCRIPTION	PRICE
FTC100	100mm Fast clamp	£8.80
FTC125	125mm Fast clamp	£10.60
FTC150	150mm Fast clamp	£11.92
FTC200	200mm Fast clamp	£13.20
FTC250	250mm Fast clamp	£15.20
FTC315	315mm Fast clamp	£19.20

Attenuators (US)



CODE	600mm Long	900mm Long
US100	x 600mm long @ POA	x 900mm long @ POA
US125	x 600mm long @ POA	x 900mm long @ POA
US150	x 600mm long @ POA	x 900mm long @ POA
US200	x 600mm long @ POA	x 900mm long @ POA
US250	x 600mm long @ POA	x 900mm long @ POA
US315	x 600mm long @ POA	x 900mm long @ POA

Other sizes and lengths available on request.

Universal Tile Vent Kits (UTVK)



CODE	DESCRIPTION	PRICE
UTVK	Tile Vent, Adaptor, Underlay seal	£74.00

Light Duty Plate Fans (HXM)

Features:

- Plate manufactured from pressed galvanised steel
- Protected by beige epoxy-polyester paint finish
- Inlet steel finger guard as standard
- Galvanised steel impellers finished with black polyester paint
- IP40 Class B insulation, except 400mm IP44 Class F.

Single Phase 2 Pole

CODE	DESCRIPTION	PRICE	S/C
HXM-200	200mm Plate Fan (500m ³ /hr)	£100.82	MR1
HXM-250	250mm Plate Fan (900m ³ /hr)	£116.37	MR1
HXM-300	300mm Plate Fan (1,400m ³ /hr)	£127.21	MR1
HXM-350	350mm Plate Fan (1,800m ³ /hr)	£136.48	MR1
HXM-400	400mm Plate Fan (3,400m ³ /hr)	£265.27	MR2



Heavy Duty Plate Fans (HCB)

Features:

- Sheet steel support frame
- Aluminium impeller
- IP65, class F insulation
- Not all models listed
- Thermal protection
- Complete with inlet guard

Single Phase 2 Pole

CODE	DESCRIPTION	PRICE	S/C
HCBB/2-250/H	250mm (2,160m ³ /hr)	£231.50	N/A
HCBB/2-315/H	315mm (4,800m ³ /hr)	£310.53	N/A
HCBB/2-355/H	355mm (7,000m ³ /hr)	£325.73	N/A

Single Phase 4 Pole

CODE	DESCRIPTION	PRICE	S/C
HCBB/4-250/H	250mm (1,215m ³ /hr)	£173.64	SR1
HCBB/4-315/H	315mm (2,350m ³ /hr)	£196.78	SR1
HCBB/4-355/H	355mm (3,490m ³ /hr)	£221.88	SR1
HCBB/4-400/H	400mm (5,070m ³ /hr)	£258.54	SR3
HCBB/4-450/H	450mm (6,760m ³ /hr)	£293.26	SR3
HCBB/4-500H	500mm (9,200m ³ /hr)	£347.28	SR3
HCBB/4-560/H	560mm (12,480m ³ /hr)	£526.35	SR6
HCBB/4-630/H	630mm (17,060m ³ /hr)	£586.90	NA

Three Phase 2 Pole

CODE	DESCRIPTION	PRICE	S/C
HCBT/2-250/H	250mm (2,160m ³ /hr)	£424.76	N/A
HCBT/2-315/H	315mm (4,800m ³ /hr)	£304.05	N/A
HCBT/2-355/H	355mm (7,000m ³ /hr)	£352.09	N/A

Three Phase 4 Pole

CODE	DESCRIPTION	PRICE	S/C
HCBT/4-250/H	250mm (1,215m ³ /hr)	£173.64	POA
HCBT/4-315/H	315mm (2,350m ³ /hr)	£190.98	POA
HCBT/4-355/H	355mm (3,490m ³ /hr)	£214.16	POA
HCBT/4-400/H	400mm (5,070m ³ /hr)	£233.43	POA
HCBT/4-450/H	450mm (6,760m ³ /hr)	£268.18	POA
HCBT/4-500H	500mm (9,200m ³ /hr)	£308.68	POA
HCBT/4-560/H	560mm (12,480m ³ /hr)	£409.04	POA
HCBT/4-630/H	630mm (17,060m ³ /hr)	£555.62	POA
HCBT/4-710/H	710mm (22,150m ³ /hr)	£947.26	POA



Sickle Blade Plate Fans (HX)

Features:

- Plate and sickle blade impeller high grade galvanised steel
- Steel finger guard as standard
- Finished with cataforesis primer and polyester black finish
- Slim line flush fit design
- IP54, Class F installation with thermal protection

Single Phase 2 Pole

CODE	DESCRIPTION	PRICE
HXBR/2-250	250mm Sickle Blade Plate Fan 2 Pole (1,650m³/Hr)	£160.10

Single Phase 4 Pole

CODE	DESCRIPTION	PRICE
HXBR/4-250	250mm Sickle Blade Plate Fan 4 Pole (930m³/Hr)	£148.05
HXBR/4-315	315mm Sickle Blade Plate Fan 4 Pole (2,074m³/Hr)	£196.78
HXBR/4-355	355mm Sickle Blade Plate Fan 4 Pole (2,970m³/Hr)	£221.87
HXBR/4-400	400mm Sickle Blade Plate Fan 4 Pole (5,080m³/Hr)	£233.43
HXBR/4-450	450mm Sickle Blade Plate Fan 4 Pole (7,649m³/Hr)	£293.25
HXBR/4-500	500mm Sickle Blade Plate Fan 4 Pole (9,957m³/Hr)	£347.28
HXBR/4-560	560mm Sickle Blade Plate Fan 4 Pole (12,460m³/Hr)	£501.28
HXBR/4-630	630mm Sickle Blade Plate Fan 4 Pole (14,518m³/Hr)	£586.90

Single Phase 6 Pole

CODE	DESCRIPTION	PRICE
HXBR/6-400	400mm Sickle Blade Plate Fan 6 Pole (3,387m³/Hr)	£233.43
HXBR/6-450	450mm Sickle Blade Plate Fan 6 Pole (5,099m³/Hr)	£293.25
HXBR/6-500	500mm Sickle Blade Plate Fan 6 Pole (6,638m³/Hr)	£353.23
HXBR/6-560	560mm Sickle Blade Plate Fan 6 Pole (8,307m³/Hr)	£353.23
HXBR/6-630	630mm Sickle Blade Plate Fan 6 Pole (12,315m³/Hr)	£294.24
HXBR/6-710	710mm Sickle Blade Plate Fan 6 Pole (16,668m³/Hr)	£669.24

Three Phase 2 Pole

CODE	DESCRIPTION	PRICE
HXTR/2-250	250mm Sickle Blade Plate Fan 2 Pole (1,650m³/Hr)	£149.40

Three Phase 4 Pole

CODE	DESCRIPTION	PRICE
HXTR/4-250	250mm Sickle Blade Plate Fan 4 Pole (930m³/Hr)	£146.87
HXTR/4-315	315mm Sickle Blade Plate Fan 4 Pole (2,074m³/Hr)	£190.98
HXTR/4-355	355mm Sickle Blade Plate Fan 4 Pole (2,970m³/Hr)	£214.16
HXTR/4-400	400mm Sickle Blade Plate Fan 4 Pole (5,080m³/Hr)	£221.88
HXTR/4-450	450mm Sickle Blade Plate Fan 4 Pole (7,649m³/Hr)	£268.18
HXTR/4-500	500mm Sickle Blade Plate Fan 4 Pole (9,957m³/Hr)	£308.68
HXTR/4-560	560mm Sickle Blade Plate Fan 4 Pole (12,460m³/Hr)	£356.77
HXTR/4-630	630mm Sickle Blade Plate Fan 4 Pole (14,518m³/Hr)	£513.78

Three Phase 6 Pole

CODE	DESCRIPTION	PRICE
HXTR/6-400	400mm Sickle Blade Plate Fan 6 Pole (3,387m³/Hr)	£222.09
HXTR/6-450	450mm Sickle Blade Plate Fan 6 Pole (5,099m³/Hr)	£268.18
HXTR/6-500	500mm Sickle Blade Plate Fan 6 Pole (6,638m³/Hr)	£308.68
HXTR/6-560	560mm Sickle Blade Plate Fan 6 Pole (8,307m³/Hr)	£356.77
HXTR/6-630	630mm Sickle Blade Plate Fan 6 Pole (12,315m³/Hr)	£513.78
HXTR/6-710	710mm Sickle Blade Plate Fan 6 Pole (16,668m³/Hr)	£637.87
HXTR/6-800	800mm Sickle Blade Plate Fan 6 Pole (25,800m³/Hr)	£699.02

Three Phase 8 Pole

CODE	DESCRIPTION	PRICE
HXTR/8-800	800mm Sickle Blade Plate Fan 8 Pole (19,090m³/Hr)	£708.96

Three Phase 12 Pole

CODE	DESCRIPTION	PRICE
HXTR/12-800	800mm Sickle Blade Plate Fan 12 Pole (12,640m³/Hr)	£681.75
HXTR/12-910	910mm Sickle Blade Plate Fan 12 Pole (20,600m³/Hr)	£732.92
HXTR/12-1000	1000mm Sickle Blade Plate Fan 12 Pole (25,500m³/Hr)	£833.50



Flame Proof Plate Fans (HCDF)

Features:

- Aluminium sheet frame (to avoid sparks)
- Cast aluminium impeller (to avoid sparks)
- 230/400V 50Hz (EEEx-d) II BT4 motor
- IP-55 protection, class F insulation
- Complies with EN 50014 and EN50018

Single Phase 4 Pole



CODE	DESCRIPTION	PRICE
HCDF25-4M	250mm Plate Fan (890m³/hr)	£843.67
HCDF31-4M	315mm Plate Fan (1700m³/hr)	£843.67
HCDF35-4M	355mm Plate Fan (2950m³/hr)	£857.32
HCDF40-4M	400mm Plate Fan (4400m³/hr)	£1262.03
HCDF45-4M	450mm Plate Fan (6450m³/hr)	£1278.97

Three Phase 4 Pole and 6 Pole



CODE	DESCRIPTION	PRICE
HCDF25-4T	250mm Plate Fan 4 pole (890m³/hr)	£623.94
HCDF31-4T	315mm Plate Fan 4 pole (1700m³/hr)	£836.90
HCDF35-4T	355mm Plate Fan 4 pole (2950m³/hr)	£644.93
HCDF40-4T	400mm Plate Fan 4 pole (4400m³/hr)	£909.31
HCDF45-4T	450mm Plate Fan 4 pole (6450m³/hr)	£945.58
HCDF45-6T	450mm Plate Fan 6 pole (5200m³/hr)	£1032.13
HCDF50-4T	500mm Plate Fan 4 pole (8600m³/hr)	£1027.82
HCDF50-6T	500mm Plate Fan 6 pole (6300m³/hr)	£1111.99
HCDF56-4T	560mm Plate Fan 4 pole (10500m³/hr)	£1409.92
HCDF56-6T	560mm Plate Fan 6 pole (8400m³/hr)	£1380.90

Axial Roof Fans (RCF)

Features:

- Glass fibre reinforced resin cowl.
- Complete with inlet guards
- IP65, class F insulation

Single Phase 4 Pole



CODE	DESCRIPTION	PRICE	S/C
RCF 315/4/M	315mm Roof Fan (1800m³/hr)	£362.98	SR1
RCF 355/4/M	355mm Roof Fan (2600m³/hr)	£409.50	SR1
RCF 400/4/M	400mm Roof Fan (4600m³/hr)	£506.41	SR3
RCF 450/4/M	450mm Roof Fan (6500m³/hr)	£531.73	SR3
RCF 500/4/M	500mm Roof Fan (8500m³/hr)	£636.12	SR5
RCF 560/4/M	560mm Roof Fan (9800m³/hr)	£672.84	SR6
RCF 630/4/M	630mm Roof Fan (14000m³/hr)	£803.77	SR6

Three Phase 4 Pole



CODE	DESCRIPTION	PRICE	S/C
RCF 315/4/T	315mm Roof Fan (1800m³/hr)	£355.32	POA
RCF 355/4/T	355mm Roof Fan (2600m³/hr)	£395.74	POA
RCF 400/4/T	400mm Roof Fan (4600m³/hr)	£482.06	POA
RCF 450/4/T	450mm Roof Fan (6500m³/hr)	£503.52	POA
RCF 500/4/T	500mm Roof Fan (8500m³/hr)	£600.28	POA
RCF 560/4/T	560mm Roof Fan (9800m³/hr)	£626.74	POA
RCF 630/4/T	630mm Roof Fan (14000m³/hr)	£800.62	POA
RCF 710/4/T	710mm Roof Fan (18000m³/hr)	£894.60	POA

Soaker Sheets (RS)



CODE	DESCRIPTION	PRICE
RS34	RS34 Range	£276.00
RS38	RS38 Range	£276.00
RSTT	Trafford Tile	£276.00
RSMD	Monad	£276.00
RSB6	Big Six	£276.00
RSAM	Atlas Major	£276.00
RS1000	Moduclad 1000	£276.00
RSD6	Double 6	£276.00

(Over 500 profiles available to suit all manufacturer sizes, available in a wide range of standard colours. Full technical support and profile identification service is available free of charge.)

Purlin Support Box (PB)



CODE	DESCRIPTION	PRICE
PB315	315mm Purlin Box	£70.44
PB355	355mm Purlin Box	£70.44
PB400	400mm Purlin Box	£78.24
PB450	450mm Purlin Box	£78.24
PB500	500mm Purlin Box	£93.89
PB560	560mm Purlin Box	£93.89
PB630	630mm Purlin Box	£117.38
PB710	710mm Purlin Box	£117.38

Cowl Back Draught Shutters (RCS) to suit RCF



CODE	DESCRIPTION	PRICE
RCS315	315mm Shutters	£54.36
RCS355	355mm Shutters	£62.11
RCS400	400mm Shutters	£65.26
RCS450	450mm Shutters	£65.26
RCS500	500mm Shutters	£80.78
RCS560	560mm Shutters	£80.78
RCS630	630mm Shutters	£85.51
RCS710	710mm Shutters	£85.51

Cowl Bird Guard (BG) to suit RCF

CODE	DESCRIPTION	PRICE
BG315	315mm Bird Guard	£26.09
BG355	355mm Bird Guard	£28.70
BG400	400mm Bird Guard	£28.70
BG450	450mm Bird Guard	£28.70
BG500	500mm Bird Guard	£31.30
BG560	560mm Bird Guard	£31.30
BG630	630mm Bird Guard	£31.30
BG710	710mm Bird Guard	£31.30



Bird Guard installed in RCF Roof Cowl

Centrifugal Chimney Fan (OTF)



Features:

- Suitable for all weather conditions.
- Extraction of high temperature smoke at 200°C.
- Single phase IP55 protection.
- Sectional cowl for motor protection & ventilation.

Single Phase 4 Pole

CODE	DESCRIPTION	PRICE
OTF200/M	Centrifugal unit for warm air (1100m³/hr)	£402.84

Centrifugal Roof Fans (CHRE) also available

Features:

- Sheet steel support frame and cowl anticorrosive finish.
- Bird guards as standard.
- On request two speed, explosion and flameproof.
- Class F external rotor motors, IP54 protection.
- Working temperature -25°C to 50°C.



Large Axial Roof Fans (HT) also available

Features:

- Cowl made from reinforced plastic
- Complete with bird guard
- IP55, class F insulation
- Polyamide 6 fibreglass reinforced impellers

Three Phase 4, 6 and 8 Pole



Compact Cased Axial Fans (TCB)



Features-

- IP65 Class F insulation with thermal protection
- Aluminium impellers
- Rolled galvanised steel casing with black polyester paint finish
- 6 and 8 pole models available
- Not all models listed

Single Phase 2 Pole

CODE	DESCRIPTION	PRICE	S/C
TCBB/2-250/H	250mm (2,210m³/hr) 2 pole Single phase	£339.20	POA
TCBB/2-315/H	315mm (4,800m³/hr) 2 pole Single phase	£311.87	POA
TCBB/2-355/H	355mm (7,000m³/hr) 2 pole Single phase	£325.73	POA



Three Phase 4 Pole

CODE	DESCRIPTION	PRICE	S/C
TCBB/4-250/H	250mm (1,250m³/hr) 4 pole Single phase	£252.75	SR1
TCBB/4-315/H	315mm (2,340m³/hr) 4 pole Single phase	£271.46	SR1
TCBB/4-355/H	355mm (3,470m³/hr) 4 pole Single phase	£281.68	SR1
TCBB/4-400/H	400mm (5,100m³/hr) 4 pole Single phase	£324.12	SR3
TCBB/4-450/H	450mm (7,100m³/hr) 4 pole Single phase	£405.17	SR3
TCBB/4-500/H	500mm (9,710m³/hr) 4 pole Single phase	£457.05	SR5
TCBB/4-560/H	560mm (13,780m³/hr) 4 pole Single phase	£572.56	SR10
TCBB/4-630/L	630mm (16,100m³/hr) 4 pole Single phase	£620.80	SR10



Three Phase 2 Pole

CODE	DESCRIPTION	PRICE	S/C
TCBT/2-250/H	250mm (2,210m³/hr) 2 pole Three phase	£339.54	POA
TCBT/4-315/H	315mm (4,800m³/hr) 2 pole Three phase	£304.05	POA
TCBT/4-355/H	355mm (7,000m³/hr) 2 pole Three phase	£352.09	POA

Three Phase 4 Pole

CODE	DESCRIPTION	S/C	PRICE
TCBT/4-250/H	250mm (1,250m³/hr) 4 pole Three phase	POA	£231.50
TCBT/4-315/H	315mm (2,340m³/hr) 4 pole Three phase	POA	£237.30
TCBT/4-355/H	355mm (3,470m³/hr) 4 pole Three phase	POA	£254.60
TCBT/4-400/H	400mm (5,100m³/hr) 4 pole Three phase	POA	£287.44
TCBT/4-450/H	450mm (7,100m³/hr) 4 pole Three phase	POA	£362.71
TCBT/4-500/H	500mm (9,710m³/hr) 4 pole Three phase	POA	£422.53
TCBT/4-560/H	560mm (13,780m³/hr) 4 pole Three phase	POA	£449.54
TCBT/4-630/H	630mm (18,200m³/hr) 4 pole Three phase	POA	£708.07
TCBT/4-710/	710mm (21,590m³/hr) 4 pole Three phase	POA	£953.97
TCBT/4-710/H3kw	710mm (25,500m³/hr) 4 pole Three phase	POA	£959.58
TCBT/4-800/L3kw	800mm (29,200m³/hr) 4 pole Three phase	POA	£861.82
TCBT/4-800/K4kw	800mm (33,300m³/hr) 4 pole Three phase	POA	£888.12
TCBT/4-800/	800mm (38,400m³/hr) 4 pole Three phase	POA	£927.79
TCBT/4-800/	800mm (43,200m³/hr) 4 pole Three phase	POA	£970.47



Contra-Rotating Cased Axial Fan (TCBx2)

Features-

- Sheet steel support frame and black polyester paint finish
- 2 Contra-rotating aluminium impellers
- IP65, class F insulation with thermal protection
- Working temperature -40°C up to 70°C
- Speed controllable

Single Phase 4 Pole

CODE	DESCRIPTION	PRICE
TCBBx2/4-450	450mm Contra-Rotating Cased Axial (6,900m³/Hr)	£644.50
TCBBx2/4-500	500mm Contra-Rotating Cased Axial (9,400m³/Hr)	£685.82
TCBBx2/4-560	560mm Contra-Rotating Cased Axial (14,300m³/Hr)	£854.19
TCBBx2/4-630	630mm Contra-Rotating Cased Axial (18,200m³/Hr)	£1091.37



Three Phase 4 Pole

CODE	DESCRIPTION	PRICE
TCBTx2/4-450	450mm Contra-Rotating Cased Axial (6,900m³/Hr)	£680.42
TCBTx2/4-500	500mm Contra-Rotating Cased Axial (9,400m³/Hr)	£737.27
TCBTx2/4-560	560mm Contra-Rotating Cased Axial (14,300m³/Hr)	£883.19
TCBTx2/4-630	630mm Contra-Rotating Cased Axial (18,200m³/Hr)	£1004.66



Sickle Blade Cased Axial Fans (TX)

Features:

- Plate and sickle blade impeller high grade galvanised steel
- Supported with strong electro-welded support frame
- Finished with cataforesis primer and polyester black finish
- Fully speed controllable
- IP54, Class F installation with thermal protection

Single Phase 4 Pole

CODE	DESCRIPTION	PRICE
TXBR/4-315	315mm Sickle Blade Cased Fan 4 Pole (2,074m³/Hr)	£270.11
TXBR/4-355	355mm Sickle Blade Cased Fan 4 Pole (2,970m³/Hr)	£281.68
TXBR/4-400	400mm Sickle Blade Cased Fan 4 Pole (5,080m³/Hr)	£302.90
TXBR/4-450	450mm Sickle Blade Cased Fan 4 Pole (7,649m³/Hr)	£405.16
TXBR/4-500	500mm Sickle Blade Cased Fan 4 Pole (9,957m³/Hr)	£470.78
TXBR/4-560	560mm Sickle Blade Cased Fan 4 Pole (12,460m³/Hr)	£544.09
TXBR/4-630	630mm Sickle Blade Cased Fan 4 Pole (14,518m³/Hr)	£620.80

Single Phase 6 Pole

CODE	DESCRIPTION	PRICE
TXBR/6-450	450mm Sickle Blade Cased Fan 6 Pole (5,099m³/Hr)	£412.17
TXBR/6-560	560mm Sickle Blade Cased Fan 6 Pole (8,307m³/Hr)	£557.98
TXBR/6-630	630mm Sickle Blade Cased Fan 6 Pole (12,315m³/Hr)	£761.58
TXBR/6-710	710mm Sickle Blade Cased Fan 6 Pole (16,668m³/Hr)	£712.90

Three Phase 4 Pole

CODE	DESCRIPTION	PRICE
TXTR/4-315	315mm Sickle Blade Cased Fan 4 Pole (2,074m³/Hr)	£237.30
TXTR/4-355	355mm Sickle Blade Cased Fan 4 Pole (2,970m³/Hr)	£245.02
TXTR/4-400	400mm Sickle Blade Cased Fan 4 Pole (5,080m³/Hr)	£252.17
TXTR/4-450	450mm Sickle Blade Cased Fan 4 Pole (7,649m³/Hr)	£362.71
TXTR/4-500	500mm Sickle Blade Cased Fan 4 Pole (9,957m³/Hr)	£422.52
TXTR/4-560	560mm Sickle Blade Cased Fan 4 Pole (12,460m³/Hr)	£415.65
TXTR/4-630	630mm Sickle Blade Cased Fan 4 Pole (14,518m³/Hr)	£654.70



Three Phase 6 Pole

CODE	DESCRIPTION	PRICE
TXTR/6-450	450mm Sickle Blade Cased Fan 6 Pole (5,099m³/Hr)	£268.18
TXTR/6-500	500mm Sickle Blade Cased Fan 6 Pole (6,638m³/Hr)	£308.68
TXTR/6-560	560mm Sickle Blade Cased Fan 6 Pole (8,307m³/Hr)	£356.77
TXTR/6-630	630mm Sickle Blade Cased Fan 6 Pole (12,315m³/Hr)	£513.78
TXTR/6-710	710mm Sickle Blade Cased Fan 6 Pole (16,668m³/Hr)	£824.35

Cased Axial Accessories

Wire Guard

CODE	DESCRIPTION	PRICE
DEF-250T	250mm Cased Axial Wire Protection Guard	£26.22
DEF-315T	315mm Cased Axial Wire Protection Guard	£27.52
DEF-355T	355mm Cased Axial Wire Protection Guard	£30.96
DEF-400T	400mm Cased Axial Wire Protection Guard	£41.31
DEF-450T	450mm Cased Axial Wire Protection Guard	£41.38
DEF-500T	500mm Cased Axial Wire Protection Guard	£44.70
DEF-560T	560mm Cased Axial Wire Protection Guard	£48.15
DEF-630T	630mm Cased Axial Wire Protection Guard	£75.71
DEF-710T	710mm Cased Axial Wire Protection Guard	£75.94
DEF-800T	800mm Cased Axial Wire Protection Guard	£86.00

Matching Coupling Flanges

CODE	DESCRIPTION	PRICE
BRIDA-250	250mm Coupling Flange	£19.54
BRIDA-315	315mm Coupling Flange	£22.67
BRIDA-355	355mm Coupling Flange	£24.23
BRIDA-400	400mm Coupling Flange	£25.81
BRIDA-450	450mm Coupling Flange	£30.37
BRIDA-500	500mm Coupling Flange	£32.27
BRIDA-560	560mm Coupling Flange	£37.97
BRIDA-630	630mm Coupling Flange	£43.03
BRIDA-710	710mm Coupling Flange	£51.27
BRIDA-800	800mm Coupling Flange	£99.42

Flexible Connector & 2 Flanges

CODE	DESCRIPTION	PRICE
ACOP-250	250mm Flexible Connector & 2Flange	£54.71
ACOP-315	315mm Flexible Connector & 2Flange	£64.09
ACOP-355	355mm Flexible Connector & 2Flange	£68.82
ACOP-400	400mm Flexible Connector & 2Flange	£72.74
ACOP-450	450mm Flexible Connector & 2Flange	£83.41
ACOP-500	500mm Flexible Connector & 2Flange	£88.02
ACOP-560	560mm Flexible Connector & 2Flange	£103.30
ACOP-630	630mm Flexible Connector & 2Flange	£118.11
ACOP-710	710mm Flexible Connector & 2Flange	£153.81
ACOP-800	800mm Flexible Connector & 2Flange	£265.31

Mounting Feet

CODE	DESCRIPTION	PRICE
PIE-250	250mm Mounting Feet	£17.20
PIE-315	315mm Mounting Feet	£18.97
PIE-355	355mm Mounting Feet	£19.90
PIE-400	400mm Mounting Feet	£21.69
PIE-450	450mm Mounting Feet	£23.50
PIE-500	500mm Mounting Feet	£25.32
PIE-560	560mm Mounting Feet	£27.10
PIE-630	630mm Mounting Feet	£28.91
PIE-710	710mm Mounting Feet	£46.99
PIE-800	800mm Mounting Feet	£57.85



Re-circulating Fan (TI)



- Features:
- Plastic long casing, protection guard on both sides
 - Polyamide 6 fibreglass reinforced impeller
 - External connection box, IP66 protection
 - Class F motors with ball bearings, IP55

CODE	DESCRIPTION	PRICE
TI-45-4M/L	450mm Single Phase 4 pole (5,600m ³ /hr)	£332.83
TI-45-6M/H	450mm Single Phase 6 pole (5,200m ³ /hr)	£333.94

Industrial Ceiling Sweep Fans (CF)

- Features:
- For cooling in summer and energy conservation in winter.
 - 3 blade design finished in white.
 - Resilient mounting ensures low vibration, speed controllable.

CODE	DESCRIPTION	PRICE
CF36	Sweep Fan 36" (900mm)	£57.00
CF56	Sweep Fan 56" (1400mm)	£57.00



Portable Mancoolers (HI)

- Features:
- Sheet steel support frame
 - Possible to adjust the air stream in any direction
 - IP55, class F insulation
 - Thermal protection
 - Complete with frame and safety guards
 - Variable pitch angle polyimide impeller reinforced with fibreglass
 - On request two speed, explosion and flameproof.

Single Phase 2 & 4 Pole

CODE	DESCRIPTION	PRICE
HI 35 M2 1/2	355mm Mancoolers 2 pole (5,300m ³ /hr)	£518.30
HI 35 M4 1/6	355mm Mancoolers 4 pole (2,900m ³ /hr)	£518.30
HI 45 M4 1/2	450mm Mancoolers 4 pole (7,200m ³ /hr)	£633.01
HI 56 M4 3/4	560mm Mancoolers 4 pole (10,000m ³ /hr)	£730.72

Three Phase 2 & 4 Pole

CODE	DESCRIPTION	PRICE
HI 35 T2 1/2	355mm Mancoolers 2 pole (5,300m ³ /hr)	£518.30
HI 35 T4 1/6	355mm Mancoolers 4 pole (2,900m ³ /hr)	£518.30
HI 45 T4 1/2	450mm Mancoolers 4 pole (6,500m ³ /hr)	£633.01
HI 56 T4 3/4	560mm Mancoolers 4 pole (10,500m ³ /hr)	£730.72
HI 63 T4 1.5	630mm Mancoolers 4 pole (14,000m ³ /hr)	£819.00
HI 71 T4 2	710mm Mancoolers 4 pole (19,000m ³ /hr)	£934.00

110v Single Phase 4 Pole

CODE	DESCRIPTION	PRICE
HI 35 M2 1/2 110v	355mm Mancoolers 2 pole (5,300m ³ /hr)	£518.30
HI 35 M4 1/6 110v	355mm Mancoolers 4 pole (2,900m ³ /hr)	£518.30
HI 45 M4 1/2 110v	450mm Mancoolers 4 pole (7,200m ³ /hr)	£633.01
HI 56 M4 3/4 110v	560mm Mancoolers 4 pole (10,000m ³ /hr)	£730.72



Single Phase (MR)



CODE	DESCRIPTION	PRICE
MR0.5	0.5 Amp Single Phase IP44	£27.60
MR1	1 Amp Single Phase IP44	£28.32
MR2	2 Amp Single Phase IP44	£29.76
MR4	4 Amp Single Phase IP44	£45.84

Single Phase Hard Start (SR)



CODE	DESCRIPTION	PRICE
SR1	1.5 Amp Single Phase IP54	£37.20
SR3	3 Amp Single Phase IP54	£44.40
SR5	5 Amp Single Phase IP54	£56.64
SR6	6 Amp Single Phase IP54	£59.76
SR10	10 Amp Single Phase IP54	£78.84

Single Phase AutoTransformer (SAT)



CODE	DESCRIPTION	PRICE
SAT1.5	1.5 Amp Single Phase IP55	£57.36
SAT3.5	3.5 Amp Single Phase IP55	£86.40
SAT5	5 Amp Single Phase IP55	£94.32
SAT7.5	7.5 Amp Single Phase IP55	£117.12
SAT10	10 Amp Single Phase IP55	£175.44
SAT13	13 Amp Single Phase IP55	£182.64

Three Phase Auto Transformer (TAC)



CODE	DESCRIPTION	PRICE
TAC1.5	1.5 Amp Three Phase IP54	£192.48
TAC2.5	2.5 Amp Three Phase IP54	£216.96
TAC4	4 Amp Three Phase IP54	£250.20
TAC6	6 Amp Three Phase IP54	£349.92
TAC8	8 Amp Three Phase IP54	£382.56
TAC11	11 Amp Three Phase IP54	£424.80

A range of three phase frequency inverters controllers also available, please call for more details.

Humidity Controllers (HV)



CODE	DESCRIPTION	PRICE
HVHT	Humidity Sensor c/w Overrun Timer	£29.40
HVHT/P	Humidity Sensor c/w Pull Cord/Overrun	£33.00

Fans Overrun Timer (FT)



CODE	DESCRIPTION	PRICE
FT1	Overrun Timer Unit	£17.76

Passive Infra-red Movement Sensor (SPIR)



CODE	DESCRIPTION	PRICE
SPIR	Passive Infrared Sensor Relay	£34.56

Differential Duct Pressure Switch (FPS)



CODE	DESCRIPTION	PRICE
FPS1	Differential Pressure Switch	£53.28



Fan Reversing Switch Control (HRS)

CODE	DESCRIPTION	PRICE
HRS	Fan Reversing Switch Control	£75.15



Switch Plate Mounted Relay (PMR)

CODE	DESCRIPTION	PRICE
PMR5	Plate Mounted Relay 5 Amp	£19.80



Door Entry Switch (DS)

CODE	DESCRIPTION	PRICE
DS	Door Entry Switch	£17.25



Air Quality Sensor (AQS)

CODE	DESCRIPTION	PRICE
AQS-0080	Wall Mounted Air Quality Sensor	£130.00
AQS-0080D	Duct Mounted Air Quality Sensor	£130.00



2 Hour Intumescent Pipe Wraps (IFW)

CODE	DESCRIPTION	PRICE
IFW 110	100mm - 110mm Round Pipe Wrap	£10.62
IFW 125	125mm Round Pipe Wrap	£14.28
IFW 160	150mm - 160mm Round Pipe Wrap	£20.45
IFW 200	200mm Round Pipe Wrap	£38.44



1 Hour Intumescent Rectangular Duct Wraps (IFW)

CODE	DESCRIPTION	PRICE
IFWS100	110 x 54mm System 100	£14.83
IFWST125	204 x 60mm Supertube 125	£17.30
IFWMD220	220 x 90mm Megaduct 220	£22.24
IFWPV225	234 x 29mm Polyvent 225	£14.83
IFWPV300	308 x 29mm Polyvent 300	£19.77



2 Hour Intumescent Pipe Collars (IPC)

CODE	DESCRIPTION	PRICE
IPC110	100mm - 110mm Round Pipe Collar	£16.35
IPC125	125mm Round Pipe Collar	£20.85
IPC160	150mm - 160mm Round Pipe Collar	£29.73

2 Hour Intumescent Circular Duct Grille (ICDG)



CODE	DESCRIPTION	PRICE
ICDG100	100mm Intumescent Duct Connector	£22.50
ICDG125	125mm Intumescent Duct Connector	£28.50
ICDG150	150mm Intumescent Duct Connector	£34.50

Intumescent Door Grille Set (IDGS)



CODE	DESCRIPTION	PRICE
IDGS300	300 x 300 mm Intumescent Door Set	£83.60

Other sizes available on special order.

Twin Blade Fire Damper (FD)



CODE	DESCRIPTION	PRICE
FD100	100mm In-line Twin Blade Damper	£39.93
FD125	125mm In-line Twin Blade Damper	£53.62
FD160	160mm In-line Twin Blade Damper	£66.55
FD200	200mm In-line Twin Blade Damper	£72.37

Curtain Fire Damper (FDC & FDCF)

DIAMETER	FDC STANDARD	FDCF WITH INSTALLATION FRAME
100mm	£56.26	£86.64
125mm	£57.93	£86.64
150mm	£60.13	£86.64
160mm	£60.52	£88.79
200mm	£64.41	£88.79
250mm	£68.35	£93.15
300mm	£74.22	£97.47
315mm	£78.33	£111.52
355mm	£83.81	£118.15
400mm	£91.72	£129.03
450mm	£100.41	£140.45
500mm	£110.30	£153.09
560mm	£125.45	£171.28
630mm	£143.56	£103.58

Order ref - Code type / size.



Aluminium (FXAL) Aluminium reinforced flexible ducting manufactured from a Multi-Ply aluminium and polyester laminate together with a High Tensile Steel wire helix. In respect of part 20 the duct shall have a fire resistance of not less than 25 minutes.

Insulated Ali (FXALINS) Aluminium reinforced Multi-Ply flexible duct wrapped in a 25mm thick high-density fibreglass for excellent friction loss characteristics and reduced levels of noise generation.

Acoustic Ali (FXALAC) Flexible acoustic ducting constructed from Multi-Ply and polyester laminated inner and outer ducts. The inner duct, continuously perforated with microperforations, combines with a 25mm layer of fibreglass to reduce cross talk and noise generated by in-duct components.

Vinyl (FXV) Manufactured from a tough, grey coloured fabric comprising a PVC coating bonded to a tightly woven glass cloth to provide a tough yet highly flexible, puncture resistant ducting. Supported by an encapsulated high tensile steel wire helix within the fabric overlap provides an exceptionally smooth inner wall resulting in excellent friction loss characteristics.

Semi-Rigid (FXSR) Manufactured from 100% Aluminium, FXSR can be formed into bends and offsets in very short distances and within confined space. The duct naturally retains its corrugation form and in doing so achieves maximum distance between supports without 'sagging'.



SIZE	FXAL	FXALINS	FXALAC	FXV	FXSR
	Aluminium per 10m	Insulated Ali per 10m	Acoustic Ali per 10m	Vinyl per 6m	Semi-rigid per 3m
80mm	£13.65	£28.38	£28.38	£24.10	---
100mm	£13.65	£29.57	£29.57	£25.10	See page 26
125mm	£16.10	£37.76	£37.76	£31.95	See page 26
150mm	£20.12	£43.89	£43.89	£36.25	See page 26
160mm	£20.82	£44.80	£44.80	£37.00	£38.64
200mm	£26.60	£51.66	£51.66	£48.10	£49.00
225mm	£33.25	£57.47	£57.47	£52.30	£52.00
250mm	£34.65	£63.59	£63.59	£63.05	£58.44
300mm	£45.15	£70.17	£70.17	£75.60	£70.64
315mm	£46.55	£71.26	£71.26	£92.35	£73.32
355mm	£56.00	£91.77	£91.77	£97.50	£90.44
400mm	£66.50	£105.17	£105.17	£105.80	£102.32
450mm	£77.00	£117.53	£117.53	£121.15	£115.20
500mm	£94.50	£123.92	£123.92	£138.00	£128.13
560mm	£122.50	£138.32	£138.32	£153.05	---
610mm	£122.50	£158.09	£158.09	£167.50	---

Spiral Ducting (SPD)

Manufactured from galvanised steel in standard lengths of 3 metre to comply with HVCA DW 144 specification.

*Not all sizes available for next day delivery. Please check with our sales office for availability.

* Shorter lengths available on request.

DIAMETER	GAUGE	1m LENGTHS	3m LENGTHS
63mm	0.5mm	£5.12	£15.38
80mm	0.5mm	£5.74	£17.23
100mm	0.5mm	£4.57	£13.71
125mm	0.5mm	£5.78	£17.33
150mm	0.5mm	£7.22	£21.64
160mm	0.5mm	£7.65	£22.95
200mm	0.6mm	£10.84	£32.52
225mm	0.6mm	£11.90	£35.71
250mm	0.6mm	£13.57	£40.72
300mm	0.6mm	£16.33	£48.99
315mm	0.6mm	£17.15	£51.44
355mm	0.8mm	£25.10	£75.29
400mm	0.8mm	£28.15	£84.44
450mm	0.8mm	£31.90	£95.68
500mm	0.8mm	£35.47	£106.41
560mm	0.8mm	£43.14	£129.79
630mm	0.8mm	£44.68	£134.02
710mm	0.8mm	£50.57	£151.71
800mm	0.8mm	£57.01	£171.04
900mm	1.0mm	£78.09	£234.28
1000mm	1.0mm	£86.79	£260.37



Order reference - SPD / diameter / length.

'Y' Pieces, 'T' Pieces, Damper, Supports



DIA	TP	YP	DSU	DTU	SPR
	'T' Piece Connector	'Y' Piece Connector	Partial Shut-off	Total Shut-off	Support Rings
63mm	£24.80	---	£22.83	£47.45	£3.95
80mm	£23.74	£44.00	£22.83	£47.45	£4.42
100mm	£23.74	£45.23	£23.47	£53.36	£5.71
125mm	£26.70	£51.83	£24.61	£54.90	£5.71
150mm	£35.62	£67.65	£25.65	£54.90	£5.84
160mm	£41.12	£69.30	£26.16	£58.45	£6.32
200mm	£48.93	£86.76	£27.71	£61.06	£6.47
225mm	£57.81	£96.31	£30.85	£65.58	£6.92
250mm	£70.71	£135.30	£35.13	£71.18	£8.09
300mm	£94.07	£157.77	£39.11	£86.57	£8.22
315mm	£86.36	£162.38	£39.11	£86.57	£8.22
355mm	£93.01	£109.17	£54.25	£121.08	£9.11
400mm	£102.92	£123.47	£55.15	£121.08	£9.71
450mm	£114.65	£147.26	£71.43	£159.17	£10.46
500mm	£142.47	£173.86	£85.68	£164.68	£10.82
560mm	£163.74	£217.72	£95.81	£196.49	£11.35
630mm	£219.17	£248.32	£105.30	£218.12	£11.76
710mm	---	£397.99	---	---	---
800mm	---	£461.37	---	---	---
900mm	---	£513.84	---	---	---
1000mm	---	£651.53	---	---	---

Order ref - Code type / size.

Metal Elbow Bends (MB)

R = 1 x D centreline

Manufactured from galvanised steel with fitted rubber seals to minimise leakage and reduce fitting time.

N.B. Sizes up to 315mm 'pressed' bends the 355 and over, fabricated in sections.

Not all sizes available for next day delivery. Please check with our sales office for availability.



DIA	90°	60°	45°	30°	15°
63mm	£8.02	£13.25	£7.50	£10.95	£10.95
80mm	£8.02	£12.06	£6.41	£5.60	£8.98
100mm	£8.02	£8.59	£6.41	£5.60	£7.81
125mm	£10.19	£9.86	£7.75	£6.59	£8.74
150mm	£14.57	£17.40	£10.70	£8.97	£11.66
160mm	£15.26	£17.89	£11.25	£9.27	£10.21
200mm	£22.19	£21.60	£14.94	£12.88	£13.35
225mm	£29.36	£29.09	£18.39	£18.04	£18.15
250mm	£33.43	£38.73	£22.96	£21.69	£23.62
300mm	£41.94	£51.05	£31.68	£30.78	£30.78
315mm	£44.44	£51.05	£31.68	£30.78	£30.78
355mm	£46.25	£36.14	£34.27	£26.32	£24.68
400mm	£54.90	£42.99	£40.67	£31.22	£29.16
450mm	£63.29	£49.24	£46.25	£35.40	£32.67
500mm	£72.48	£56.11	£52.44	£39.93	£36.61
560mm	£98.38	£77.67	£72.61	£56.26	£51.67
630mm	£118.39	£92.63	£81.75	£62.74	£56.87
710mm	£222.80	£188.41	£148.40	£111.80	£102.55
800mm	£260.15	£218.41	£173.12	£128.99	£117.13
900mm	£303.20	£252.56	£198.45	£147.98	£133.04
1000mm	£543.65	£408.69	£388.39	£281.57	£263.12

Order ref - 'MB' / Size / Degree.

Couplings and End Caps



DIA	FC	MC	TO	ECD	ECF
	Female Coupling	Male Coupling	Take off w/o Radius	End-cap for Duct	End-cap Fitting
63mm	£2.90	£6.29	£4.54	£2.47	£3.38
80mm	£2.90	£5.95	£4.31	£2.47	£3.15
100mm	£3.02	£5.95	£4.43	£3.20	£2.91
125mm	£3.02	£5.95	£4.54	£3.35	£3.50
150mm	£3.14	£6.15	£5.12	£3.80	£3.96
160mm	£3.14	£6.04	£5.25	£3.80	£3.96
200mm	£3.51	£8.04	£6.76	£4.22	£4.66
250mm	£4.60	£10.26	£8.28	£6.27	£7.58
300mm	£5.69	£13.64	£11.08	£9.18	£10.84
315mm	£6.05	£13.76	£11.08	£9.91	£10.84
355mm	£7.14	£16.68	£12.58	£13.11	£19.01
400mm	£8.95	£17.84	£13.53	£14.57	£22.51
450mm	£10.16	£22.51	£18.07	£17.92	£30.55
500mm	£11.88	£24.84	£20.17	£18.35	£32.42
560mm	£15.73	£33.23	£25.07	£28.13	£40.81
630mm	£17.55	£38.83	£27.98	£32.75	£44.31
710mm	£34.36	£60.05	£35.91	---	£86.51
800mm	£39.81	£68.21	£44.89	---	£88.85
900mm	£43.56	£77.77	£49.32	---	£136.65
1000mm	£46.58	£115.66	£71.71	---	£143.30

Order ref - Code type / size.

Reducer Short (RD)



DIA	63	80	100	125	150	160	180	200	224	250	300	315	400
80mm	£15.12												
100mm	£16.33	£16.33											
125mm		£17.18	£17.18										
150mm		£19.48	£18.63	£17.79									
160mm		£20.33	£19.48	£18.63	£18.63								
180mm			£20.69	£20.33	£20.08	£20.08							
200mm			£21.54	£20.93	£20.93	£20.27	£20.27						
224mm					£24.68	£23.23	£23.23	£22.99					
250mm				£27.34	£27.34	£26.50	£26.50	£25.89	£25.89				
300mm								£29.64		£29.04			
315mm							£30.25	£29.64		£29.04			
355mm										£33.40	£34.85	£34.85	
400mm								£39.20		£39.20		£39.93	
500mm										£50.21		£51.18	£51.18

Order ref - Code type / size.

DISCOUNT GROUP B

Reducer Long (RDL)



DIA	63	80	100	125	150	160	180	200	224	250	280	300	315	355	400	450	500	560	630	710	800	900	
80mm	£15.12																						
100mm	£16.33	£16.33																					
125mm	£17.18	£17.18	£17.18																				
150mm	£20.33	£19.48	£18.63	£17.79																			
160mm	£20.93	£20.33	£19.48	£18.63	£18.63																		
180mm	£21.54	£20.69	£20.69	£20.33	£20.08	£20.08																	
200mm	£22.14	£21.54	£21.54	£20.93	£20.93	£20.27	£20.27																
224mm	£26.14	£25.05	£25.05	£24.68	£24.68	£23.23	£23.23	£22.99															
250mm	£28.19	£27.95	£27.95	£27.34	£27.34	£26.50	£26.50	£25.89	£25.89														
280mm	£29.64	£29.40	£29.40	£28.80	£28.80	£28.19	£28.19	£27.95	£27.95	£27.95													
300mm	£33.40	£32.55	£31.70	£30.49	£30.49	£30.25	£30.25	£29.64	£29.64	£29.04	£29.04												
315mm	£33.40	£32.55	£31.70	£30.49	£30.49	£30.25	£30.25	£29.64	£29.64	£29.04	£29.04	£29.04											
355mm	£41.62	£38.36	£33.27	£33.27	£33.40	£33.40	£33.40	£33.40	£33.40	£33.40	£34.85	£34.85	£34.85										
400mm	£46.58	£43.44	£39.20	£39.20	£39.20	£39.20	£39.20	£39.20	£39.20	£39.20	£39.20	£39.93	£39.93	£39.93									
450mm			£44.53	£44.53	£44.53	£44.53	£44.53	£44.53	£44.53	£44.53	£44.53	£45.86	£45.86	£45.86									
500mm			£50.21	£50.21	£50.21	£50.21	£50.21	£50.21	£50.21	£50.21	£50.21	£51.18	£51.18	£51.18	£51.18								
560mm				£60.56	£60.56	£60.56	£60.56	£60.56	£60.56	£60.56	£60.56	£60.56	£60.56	£60.56	£60.56	£60.56							
630mm					£67.76	£67.76	£67.76	£67.76	£67.76	£67.76	£67.76	£67.76	£67.76	£67.76	£67.76	£67.76	£67.76						
710mm					£95.47	£95.47	£95.47	£95.47	£95.47	£95.47	£95.47	£95.47	£95.47	£95.47	£95.47	£95.47	£95.47	£95.47					
800mm								£118.22	£118.22	£118.22	£118.22	£118.22	£118.22	£118.22	£118.22	£118.22	£118.22	£118.22	£118.22				
900mm																£149.19	£149.19	£149.19	£149.19	£149.19	£149.19	£149.19	£149.19
1000mm																	£187.19	£187.19	£187.19	£187.19	£187.19	£187.19	£187.19

Order ref - Code type / size.

Not all sizes available for next day delivery.
Please check with our sales office for availability.

In-line Filter Boxes (Includes filter) (UFB)



CODE	DESCRIPTION	PRICE
UFB100	100mm Filter box	£20.45
UFB 125	125mm Filter box	£22.80
UFB 150	150mm Filter box	£27.02
UFB 200	200mm Filter box	£30.70
UFB 250	250mm Filter box	£36.85
UFB 315	315mm Filter box	£50.67

Replacement Filters (UF)

CODE	DESCRIPTION	PRICE
UF100	100mm Replacement Filter	£1.73
UF125	125mm Replacement Filter	£1.91
UF150	150mm Replacement Filter	£2.26
UF200	200mm Replacement Filter	£2.72
UF250	250mm Replacement Filter	£3.36
UF315	315mm Replacement Filter	£4.38

Back Draught Shutters (RSK)



CODE	DESCRIPTION	PRICE
RSK100	100mm Back draught shutter	£11.62
RSK125	125mm Back draught shutter	£12.60
RSK150	150mm Back draught shutter	£14.56
RSK200	200mm Back draught shutter	£15.12
RSK250	250mm Back draught shutter	£18.55
RSK315	315mm Back draught shutter	£24.18

Fast Clamps (FTC)



CODE	DESCRIPTION	PRICE
FTC100	100mm Fast clamp	£8.80
FTC125	125mm Fast clamp	£10.60
FTC150	150mm Fast clamp	£11.92
FTC200	200mm Fast clamp	£13.20
FTC250	250mm Fast clamp	£15.20
FTC315	315mm Fast clamp	£19.20

Attenuators (US)



CODE	600mm Long	900mm Long
US100	x 600mm long @ £26.09	x 900mm long @ POA
US125	x 600mm long @ £29.81	x 900mm long @ POA
US150	x 600mm long @ £31.67	x 900mm long @ POA
US200	x 600mm long @ £38.77	x 900mm long @ POA
US250	x 600mm long @ £58.15	x 900mm long @ POA
US315	x 600mm long @ £67.18	x 900mm long @ POA

Other sizes and lengths available on request.

Universal Tile Vent Kits (UTVK)



CODE	DESCRIPTION	PRICE
UTVK	Tile Vent, Adaptor, Underlay seal	£74.00

Galvanised Steel Roof Cowls (RC)

CODE	DESCRIPTION	PRICE
RC100	Roof Cowl 100mm	£26.91
RC125	Roof Cowl 125mm	£27.86
RC150	Roof Cowl 150mm	£29.87
RC160	Roof Cowl 160mm	£30.00
RC200	Roof Cowl 200mm	£50.42
RC250	Roof Cowl 250mm	£50.42
RC300	Roof Cowl 300mm	£67.77
RC315	Roof Cowl 315mm	£70.40
RC355	Roof Cowl 355mm	£65.39
RC400	Roof Cowl 400mm	£70.39
RC450	Roof Cowl 450mm	£78.24
RC500	Roof Cowl 500mm	£89.79
RC560	Roof Cowl 560mm	£99.96
RC630	Roof Cowl 630mm	£112.21
RC710	Roof Cowl 710mm	£165.30



Pipe Flashing (PFR)

CODE	DESCRIPTION	PRICE
PFR103	Pipe Size 50-120mm	£28.91
PFR104	Pipe Size 75-160mm	£37.43
PFR105	Pipe Size 115-195mm	£43.90
PFR106	Pipe Size 125-230mm	£52.72
PFR107	Pipe Size 150-275mm	£81.92
PFR108	Pipe Size 175-325mm	£98.00
PFR109	Pipe Size 250-480mm	£194.04



Worm Drive Clips (WDC)

CODE	DESCRIPTION	PRICE
WDC135	Clip 60mm-135mm	£1.24
WDC170	Clip 60mm-170mm	£1.32
WDC215	Clip 60mm-215mm	£1.70
WDC325	Clip 60mm-325mm	£2.30
WDC525	Clip 60mm-525mm	£4.00

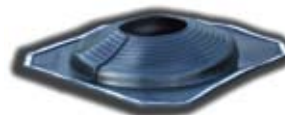


Aquaduct for profiled or corrugated roofing and cladding

Features:

- Flexible base- easily formed to match sheet profile
- EPDM rubber- for hot and cold pipes -40 to 115°C (High temp available in silicone red)
- Square base – facilitates easy installation
- Adaptability- suits either standard or retrofit applications
- Simple to fit- sleeve marked with pipe diameters
- Available for small pipe diameters from 3- 50mm

NEW



CODE	DESCRIPTION	PRICE
ADC4	Pipe size 75 - 150mm size 155 x 155	£19.16
ADC6	Pipe size 145-250mm Base size 356 x 356	£25.03
ADC8	Pipe size 230-380mm Base size 540 x 597	£50.57
ADC9	Pipe size 315-500mm Base size 650 x 720	£82.66
RFC	Retrofit clips (6-ADC4, 7-ADC6, 9-ADC8, 11-ADC9)	£0.84

Versatile for slate and tiled roofs

Features:

- Versatility – suits slate and tiled roofs
- Excellent coverage- from large aluminium malleable base
- EPDM rubber-to suit hot and cold pipes -40 to 115°C (High temp available in silicone red)
- Simple to fit- sleeve marked with pipe diameters
- Flexible pipe sleeves- adjusts to suit roof pitch

NEW



CODE	DESCRIPTION	PRICE
VAC3	Pipe size 100-165mm Base size 450 x 600	£33.90
VAC7	Pipe size 180-225mm Base size 600 x 800	£62.85
VAC8	Pipe size 180-350mm Base size 600 x 800	£71.30

Roofseal for bituminous felt roofing

Features:

- Unique ribbed base design- excellent adhesion to bitumen
- EPDM rubber-durable, flexible and weatherproof
- Simple to install- no specialist equipment required
- Weathertight seal- stainless steel clamp with each flashing

NEW



CODE	DESCRIPTION	PRICE
FR4	Pipe size 110-125mm Base diameter 527mm	£34.58
FR5	Pipe size 150-175mm Base diameter 576mm	£54.04
FR6	Pipe size 200-250mm Base diameter 637mm	£67.41
FR7	Pipe size 275-325mm Base diameter 712mm	£80.74
FR8	Pipe size 359-400mm Base diameter 787mm	£135.04
FR9	Pipe size 490-530mm Base diameter 800mm	£289.20

Egg Crate Grilles (ECG)

Features:

- 90% free area
- Satin silver anodised finish unless stated
- Counter sunk flange holes
- Extruded aluminium frames
- Colour finishes and dampers on request

CODE	SIZE	OVERALL SIZE	PRICE
ECG 100	100mm	142 x 142mm	£12.00
ECG 150	150mm	192 x 192mm	£13.35
ECG 200	200mm	242 x 242mm	£16.10
ECG 250	250mm	292 x 292mm	£18.79
ECG 300	300mm	342 x 342mm	£22.85
ECG 350	350mm	392 x 392mm	£25.87
ECG 400	400mm	442 x 442mm	£40.44
ECG 450	450mm	492 x 492mm	£45.45
ECG 500	500mm	542 x 542mm	£55.65
ECG 595	595mm	Ceiling Tile	£39.60
ECG 595 WH	595mm	Ceiling Tile - White	£39.60



2 Way Adjustable Curved Blade (TWCB)

Features:

- Curved blades, adjustable for distribution patterns
- Extruded aluminium construction
- Satin silver anodised finish
- Counter sunk flange holes
- Colour finish and damper on request

CODE	SIZE	OVERALL SIZE	PRICE
TW-CB 250	250mm	286 x 286mm	£16.22
TW-CB 300	300mm	336 x 336mm	£22.80
TW-CB 350	350mm	386 x 386mm	£25.52
TW-CB 450	450mm	486 x 486mm	£48.10
TW-CB 500	500mm	536 x 536mm	£59.21
TW-CB 595	595mm	Ceiling Tile	£46.68



4 Way Adjustable Curve Blade (FWCB)

CODE	SIZE	OVERALL SIZE	PRICE
FW-CB 250	250mm	286 x 286mm	£19.94
FW-CB 300	300mm	336 x 336mm	£27.48
FW-CB 350	350mm	386 x 386mm	£30.93
FW-CB 450	450mm	486 x 486mm	£62.21
FW-CB 500	500mm	536 x 536mm	£72.31
FW-CB 595	595mm	Ceiling Tile	£92.83



Non Vision Door Sets (NVDS)

Features:

- Non vision chevron blades
- High free area
- Wall and door fitting
- Satin silver anodised finish
- Extruded aluminium throughout
- Colour finish and other sizes on request

CODE	SIZE	OVERALL SIZE	PRICE
NVDS 250	250mm	295 x 295mm	£36.56
NVDS 300	300mm	345 x 345mm	£46.01
NVDS 350	350mm	395 x 395mm	£54.45
NVDS 450	450mm	495 x 495mm	£80.44
NVDS 500	500mm	545 x 545mm	£93.94
NVDS 600	600mm	645 x 645mm	£122.74



Four Way Diffuser (FWD)

Features:

- Counter sunk flange holes
- Extruded aluminium construction
- Other colour finishes, sizes and dampers on request

CODE	SIZE	OVERALL SIZE	PRICE
FWD 200	200mm	347 x 347mm Satin finish	£44.54
FWD 200 WH	200mm	347 x 347mm White finish	£54.22
FWD 300	300mm	447 x 447mm Satin finish	£60.13
FWD 300 WH	300mm	447 x 447mm White finish	£69.36
FWD 450	450mm	Ceiling Tile Satin finish	£72.00
FWD 450 WH	450mm	Ceiling Tile White finish	£79.20



Single Deflection Grille (SDG)

Features:

- Choice of single or double set of adjustable vanes
- Aerodynamic, effective deflection
- Satin silver anodised finish
- Extruded aluminium throughout
- Colour finish, dampers and non-standard sizes on request



CODE	SIZE	OVERALL SIZE	PRICE
SDG 250	250mm	286 x 286mm	£17.98
SDG 350	350mm	386 x 386mm	£25.51
SDG 400	400mm	436 x 436mm	£34.13
SDG 550	550mm	586 x 586mm	£76.68
SDG 595	595mm	Ceiling Tile	£76.68

Double Deflection Grille (DDG)



CODE	SIZE	OVERALL SIZE	PRICE
DDG 250	250mm	286 x 286mm	£27.77
DDG 350	350mm	386 x 386mm	£40.66
DDG 400	400mm	436 x 436mm	£49.97
DDG 550	550mm	586 x 586mm	£100.85
DDG 595	595mm	Ceiling Tile	£100.85

45° Fixed Blade Louvres (FBL)

Features:

- 45° blades, non vision
- Counter sunk flange holes
- Satin silver anodised finish
- Extruded aluminium throughout
- Colour finish, dampers and non-standard sizes on request



CODE	SIZE	OVERALL SIZE	PRICE
FBL 200	200mm	236 x 236mm	£20.57
FBL 250	250mm	286 x 286mm	£21.29
FBL 350	350mm	386 x 386mm	£32.04
FBL 400	400mm	436 x 436mm	£42.65
FBL 550	550mm	586 x 586mm	£96.05
FBL 595	595mm	Ceiling Tile	£96.05

Circular Air Valves (AVS)

Features:

- Finished in white
- Complete with fixing collar
- Suitable for extract and supply
- Fully adjustable for air flow



SIZE	AVS STEEL	AVS-FD STEEL WITH FIRE DAMPER
80	£12.45	---
100	£12.45	£38.05
125	£14.46	£43.05
150	£16.92	£47.67
200	£21.99	£60.73

Pressed Steel Grilles (PSG)

Features:

- Door or wall mounted
- Standard or fireblock air transfer application
- 20swg mild steel
- Slimline appearance
- Comes in white as standard - other colours available on request
- Colour finish and non-standard sizes on request



CODE	SIZE	OVERALL SIZE	PRICE
PSG150	150mm	193 x 193mm	£4.50
PSG200	200mm	244 x 244mm	£5.25
PSG250	250mm	295 x 295mm	£8.13
PSG300	300mm	346 x 346mm	£9.84
PSG350	350mm	397 x 397mm	£14.70
PSG400	400mm	447 x 447mm	£27.81
PSG450	450mm	498 x 498mm	£33.54
PSG500	500mm	549 x 549mm	£43.32
PSG600	600mm	651 x 651mm	£58.41

Gravity Shutters (GS)

Features:

- Louvre back draught shutter
- Manufactured from UV stabilised plastic
- Supplied as standard in grey colour



CODE	SIZE	OVERALL SIZE	PRICE
GS200	200mm	243 x 243mm	£27.00
GS250	250mm	294 x 294mm	£32.00
GS300	300mm	343 x 343mm	£34.00
GS350	350mm	394 x 394mm	£35.00
GS400	400mm	457 x 457mm	£37.00
GS450	450mm	499 x 499mm	£48.00
GS500	500mm	548 x 548mm	£53.00
GS550	550mm	605 x 605mm	£90.00
GS650	650mm	696 x 696mm	£100.00
GS700	700mm	760 x 760mm	£120.00
GS800	800mm	840 x 840mm	£163.00
GS1000	1000mm	1040 x 1040mm	£200.00

External Weather Louvre (EWL)

Features:

- 45° fixed blade louvre
- Mill finish
- Aluminium as standard
- Colour finish, dampers and non-standard sizes on request



CODE	SIZE	OVERALL SIZE	PRICE
EWL 250	250mm	293 x 293mm	£31.13
EWL 300	300mm	343 x 343mm	£38.76
EWL 400	400mm	443 x 443mm	£55.92
EWL 500	500mm	543 x 543mm	£64.54
EWL 595	595mm	595 x 595mm	£82.99

Outlet Hood Protection Guard (VIS)

Features:

- Prevents objects and water from entering the fan.
- Very low pressure levels.
- Aluminium standard finish.

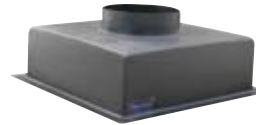


CODE	DESCRIPTION	PRICE
VIS-25	Outlet hood for 250mm plate fan	£131.58
VIS-31/35	Outlet hood for 315 & 355mm plate fan	£160.02
VIS-40/45	Outlet hood for 400 & 450mm plate fan	£196.74
VIS-50/56	Outlet hood for 500 & 560mm plate fan	£212.76
VIS-63/71	Outlet hood for 630 & 710mm plate fan	£225.72
VIS-80/90	Outlet hood for 800 & 900mm plate fan	POA
VIS-1000	Outlet hood for 1000mm plate fan	POA

Spigot Plate Adaptor (SPP)



CODE	SPIGOT SIZE	PLATE SIZE	PRICE
SPP75	75mm	125 x 125mm	£10.80
SPP100	100mm	150 x 150mm	£12.00
SPP125	125mm	175 x 175mm	£12.00
SPP150	150mm	200 x 200mm	£12.00
SPP200	200mm	250 x 250mm	£14.40
SPP250	250mm	300 x 300mm	£16.80
SPP300	300mm	350 x 350mm	£19.20
SPP350	350mm	400 x 400mm	£21.60
SPP400	400mm	450 x 450mm	£26.40
SPP450	450mm	500 x 500mm	£28.80
SPP500	500mm	550 x 550mm	£33.60
SPP600	600mm	650 x 650mm	£38.40
SPP710	710mm	760 x 760mm	£43.20



Plastic Grille Box Adaptor (PGBA)

CODE	BOX SIZE	SPIGOT SIZE	PRICE
PGBA	200 x 200	100mm	£14.66
		125mm	£14.66
PGBA	250 x 250	100mm	£16.02
		125mm	£16.02
		150mm	£16.02
PGBA	300 x 300	125mm	£18.65
		150mm	£18.65
PGBA	350 x 350	150mm	£19.97
		200mm	£19.97
PGBA	400 x 400	200mm	£20.83
		250mm	£20.83
		300mm	£20.83
PGBA	450 x 450	200mm	£21.67
		250mm	£21.67
		300mm	£21.67
PGBA	500 x 500	300mm	£26.33
PGBA	595 x 595	150mm	£31.12
		200mm	£31.12
		250mm	£31.12
		300mm	£31.12
		350mm	£31.12
		400mm	£31.12
		450mm	£31.12

Top entry only

Order ref - PGBA / Box size / Spigot size

Other sizes on special order

Calculating the Right Fan

In order to provide sufficient ventilation it is essential that the correct fan is selected for the application.

1. Firstly calculate the volume of the room (length x width x height)
2. Multiply this by the recommended number of air changes per hour, the total will give the fan performance required, expressed in m³/hr.
3. Find the fan that matches the performance and application.

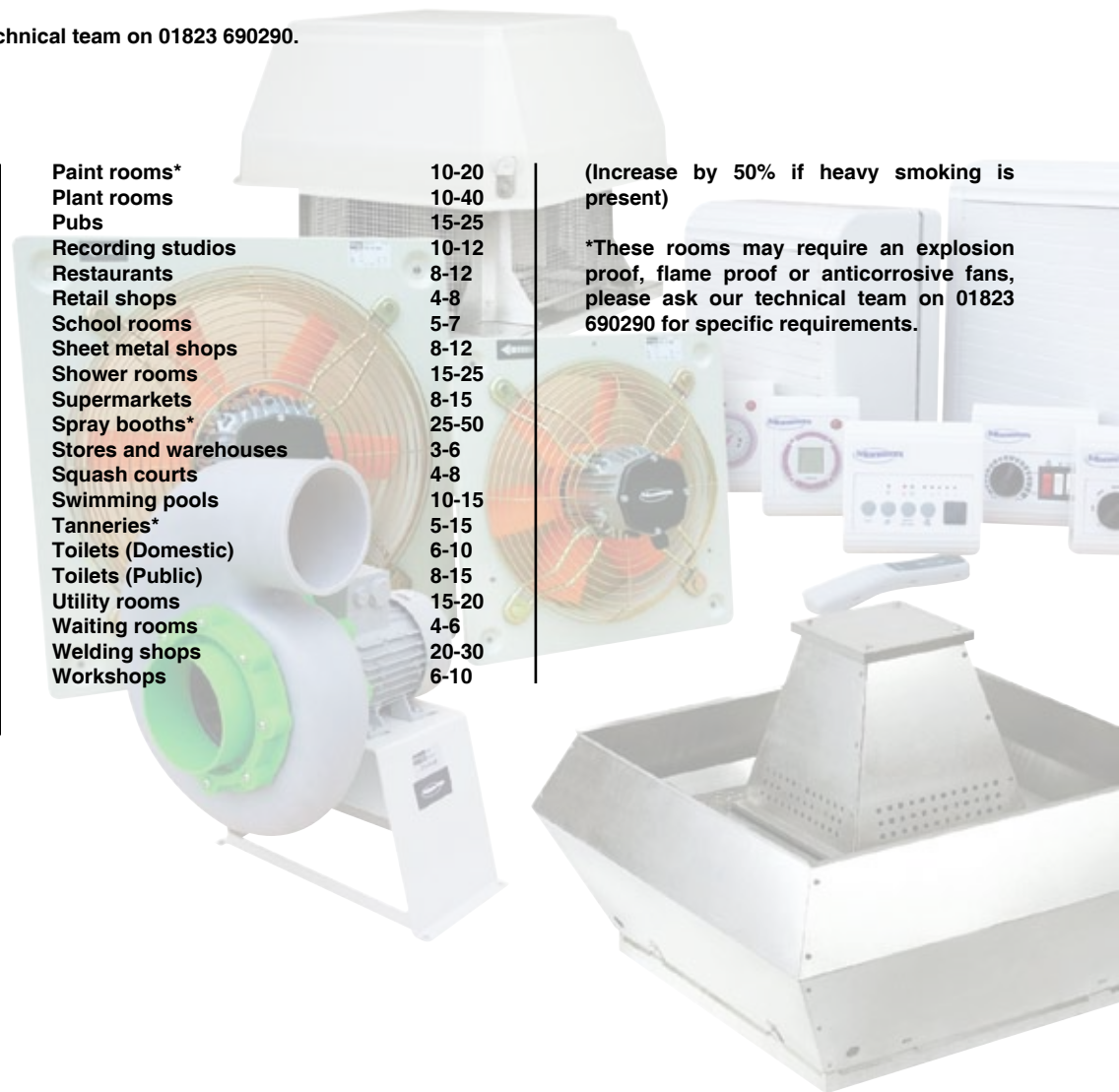
The above calculations are offered as guidelines only. Discuss your specific requirements with our technical team on 01823 690290.

Recommended Air Changes per Hour

Assembly plants	4-8	Dark rooms	10-15	Paint rooms*	10-20	(Increase by 50% if heavy smoking is present)
Auditoriums	6-8	Dye rooms*	15-30	Plant rooms	10-40	
Bakeries	20-30	Electroplating shops	10-12	Pubs	15-25	*These rooms may require an explosion proof, flame proof or anticorrosive fans, please ask our technical team on 01823 690290 for specific requirements.
Banks	4-8	Engine rooms	15-30	Recording studios	10-12	
Bathrooms	5-10	Entrance halls	3-5	Restaurants	8-12	
Battery rooms*	5-10	Factories	8-10	Retail shops	4-8	
Bedrooms	2-4	Foundries	10-20	School rooms	5-7	
Billiard rooms	6-8	Garages	6-8	Sheet metal shops	8-12	
Boiler rooms	15-30	Glass houses	25-60	Shower rooms	15-25	
Cafes	10-12	Gymnasiums	6-10	Supermarkets	8-15	
Canteens	8-12	Hairdressers	10-15	Spray booths*	25-50	
Car parks	5-8	Hospitals (Sterilising)	15-25	Stores and warehouses	3-6	
Cellars	3-10	Hospital wards	6-8	Squash courts	4-8	
Changing rooms	6-8	Kitchens (Domestic)	15-25	Swimming pools	10-15	
Churches	1-3	Kitchens (Commercial)	20-30	Tanneries*	5-15	
Cinemas and theatres	8-12	Laboratories*	6-15	Toilets (Domestic)	6-10	
Classrooms	5-7	Launderettes	10-15	Toilets (Public)	8-15	
Cloakrooms	4-6	Lecture theatres	5-8	Utility rooms	15-20	
Club rooms	12-15	Libraries	4-5	Waiting rooms	4-6	
Compressor rooms	10-12	Living rooms	3-6	Welding shops	20-30	
Conference rooms	6-12	Meeting rooms	5-10	Workshops	6-10	
Dairies	8-12	Mushroom houses	6-10			
Dance halls	12-15	Offices	6-10			

Conversions

Volume flow		Volume	
1 CFM =	1.699 m ³ /hr	1 ft ³ =	0.0283 m ³
	= 0.472 l/s		
1 m ³ /hr =	0.589 CFM	1 m ³ =	35.31 ft ³
	= 0.278 l/s		
1 l/s =	2.119 CFM		
	= 3.6 m ³ /hr		

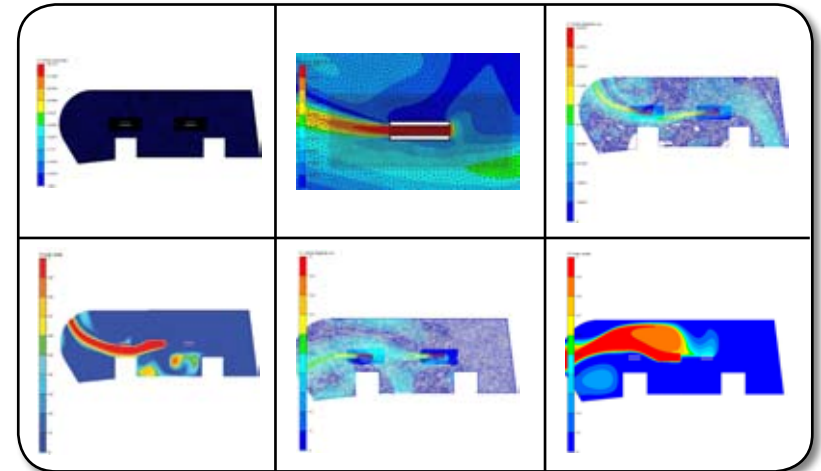


EXTENDED RANGE & SERVICES

Car Park Fans Inside the Fire Zone

THT THT/ATEX CJTHT/PLUS CJTHT CJTHT/ATEX CJTHT/ DUPLX/ATEX THT/IMP CJS CJD TCR CTMP

CE
 0375
 SOGECIA
 001 5314
 0015-02-0002
 EN 12101-3
 Resistant smoke and heat without ventilation for use in
 Construction Works
 Resistance to Fire class FWD 0150
 Water spray Class B2 class F
 400°C/2h
 Inmerso



Now available a full design and backup service in all aspects of Car Park ventilation, including CFD (Computational Fluid Dynamic) analysis.

Car Park Fan Outside the Fire Zone

TCRR TCM CJTCRR CJP CJTX-C CJSX CJLINE

CE
 0375
 SOGECIA
 001 5314
 0015-02-0002
 EN 12101-3
 Resistant smoke and heat without ventilation for use in
 Construction Works
 Resistance to Fire class FWD 0150
 Water spray Class B2 class F
 400°C/2h
 Exterior



EXTENDED RANGE & SERVICES

Within this price list we have shown a range of our more popular industrial fan units. These you can expect to find off the shelf but please check with our sales office for delivery time for larger units.

These diagrams are to give you an idea of the vast range of ventilation solutions available to you.

With years of HVAC design and consultation experience behind us, our sales technical team are available Monday to Friday from 8.30 to 17.30 to answer any technical questions you may have.

Whether you want to discuss specification or design, product selection and availability or just find out about the latest products our team are here to help.

01823 690290 The only number you'll need

Free – Design service

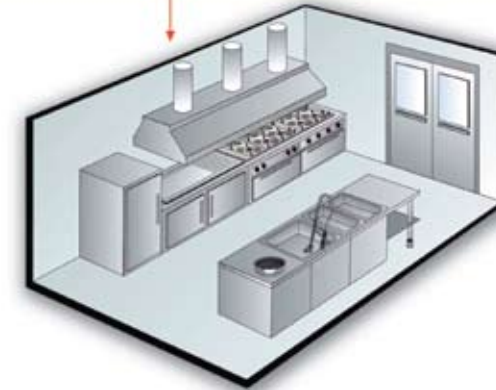
Free – Site Visits

Free – Consultation

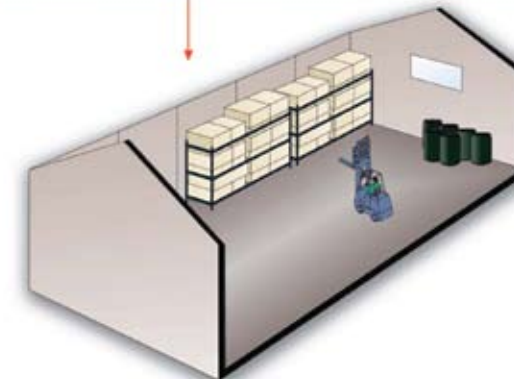
Free – Quotations

Free – Delivery (terms and conditions apply)

Fans for Commercial Buildings



Fans for Industrial Buildings





Manufacturers and Suppliers of



Ventilation Products

Call 01823 690 290

Email info@nvagroup.co.uk www.nationalventilation.co.uk

Stathe Road, Burrowbridge, Somerset TA7 0RY